



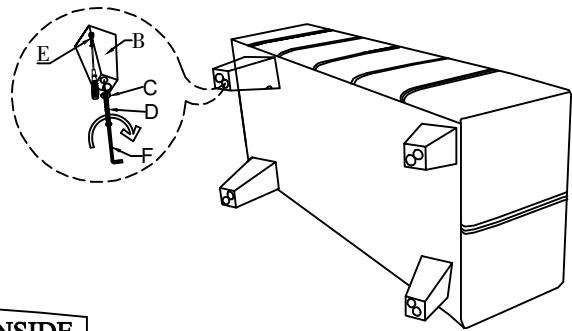
ASSEMBLY INSTRUCTION

471 PU/NF/LP/PPE/RED/TPE
LIFT UP STORAGE BENCH

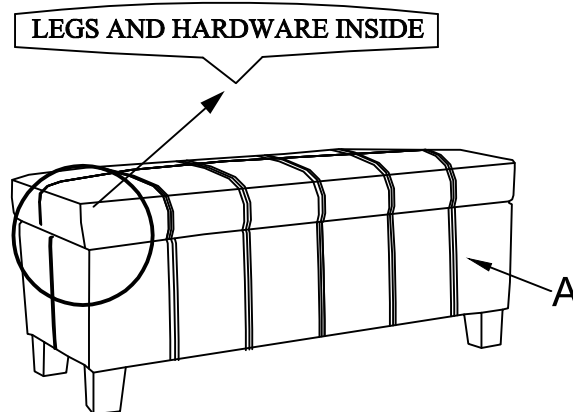
No	Drawing	Qty	Description
C		4PCS	Washer
D		4PCS	Bolt
E		4PCS	Screw
F		1PC	Allen Key

No	Drawing	Qty	Description
A		1PC	Bench
B		4PCS	Wooden Leg 3.54*2.75*2.16"

Step 1



Step 2



Hardware List

!CAUTION

Do not allow children to play on the mechanized furniture or operate the mechanism. Top surfaces fold down on closing, so that a child could possibly be injured.

Always leave furniture in the closed position when unattended.
KEEP HANDS CLEAR OF MECHANISM.

For items use on wooden floor, hard surfaces or carpets, it is recommended to Install protective pads under all legs and supports to avoid/prevent from damages/scratches and discoloration.