



Assembly Instruction

ITEM NO.: 4797GY/4797TP

STORAGE BENCH



Legs & Hardware are stored in the bench.

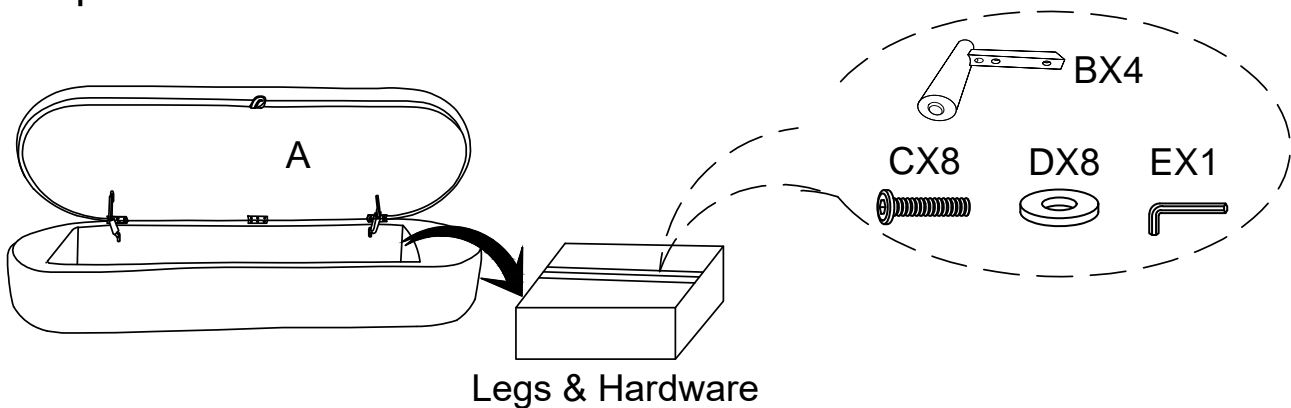
Please take out the legs and hardware for assembly

Note: Do not use power tools for assembly. Power tools increase the risk of over tightening which lead to splitting or cracking the wood.

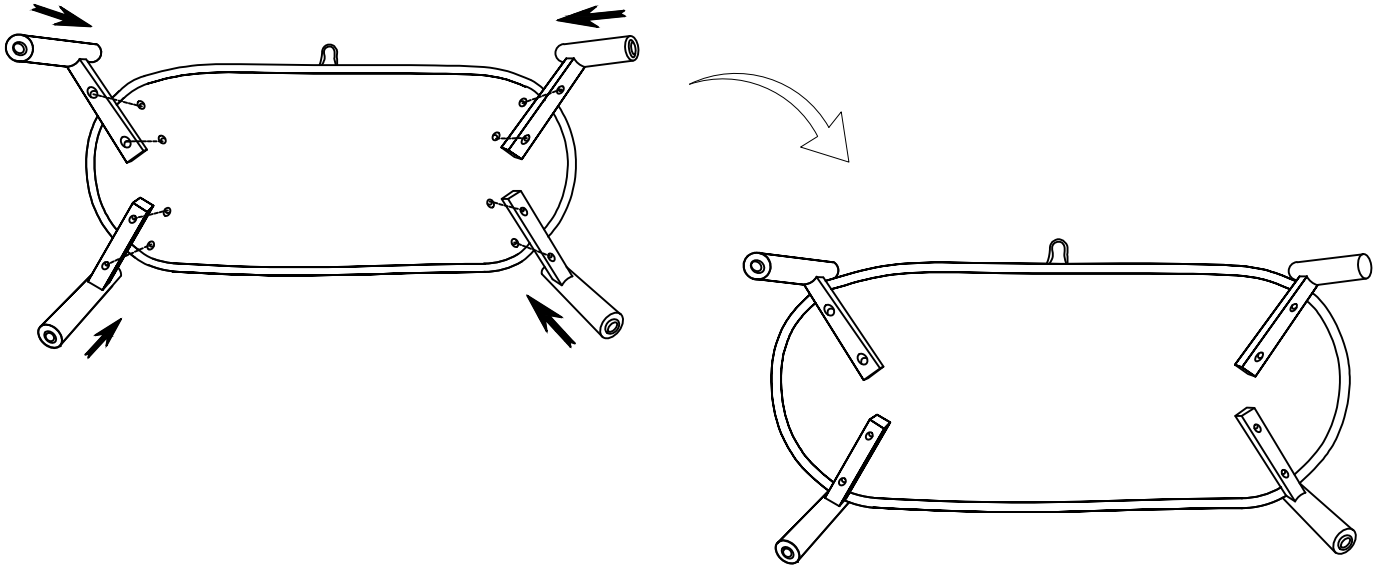
Component list

No	Drawing	Qty	Description
A		1	BENCH
B		4	WOODEN LEGS Ø1.5" x 10.5"H
C		8	BOLT Ø1/4"*50mm
D		8	FLAT WASHER Ø1/4"
E		1	ALLEN KEY M4

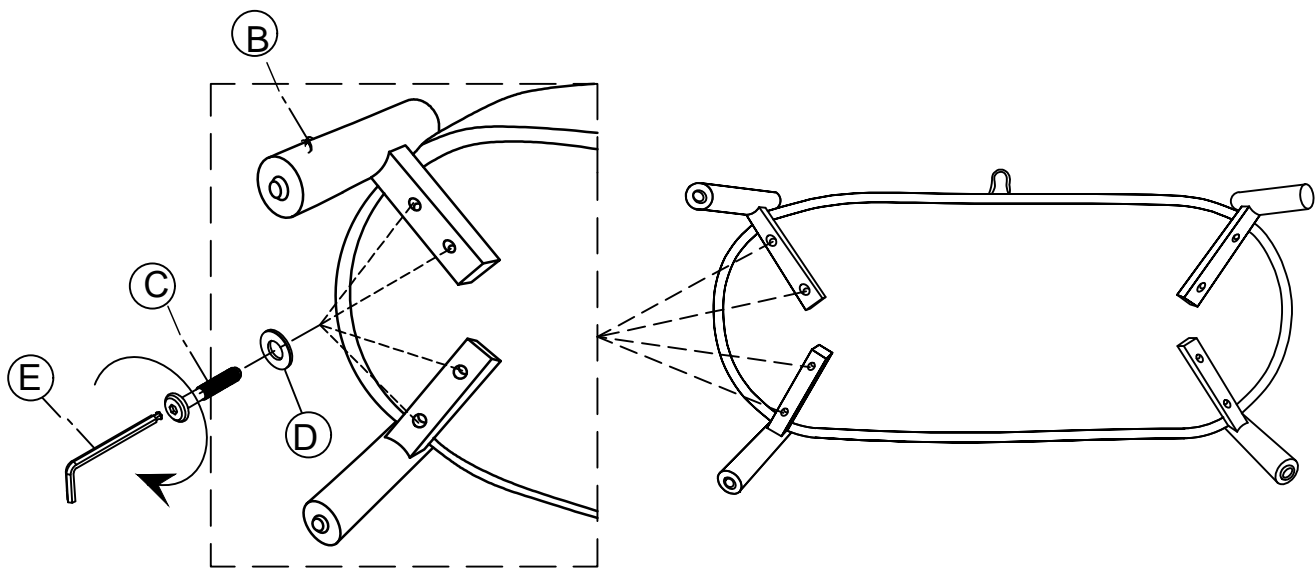
Step #1



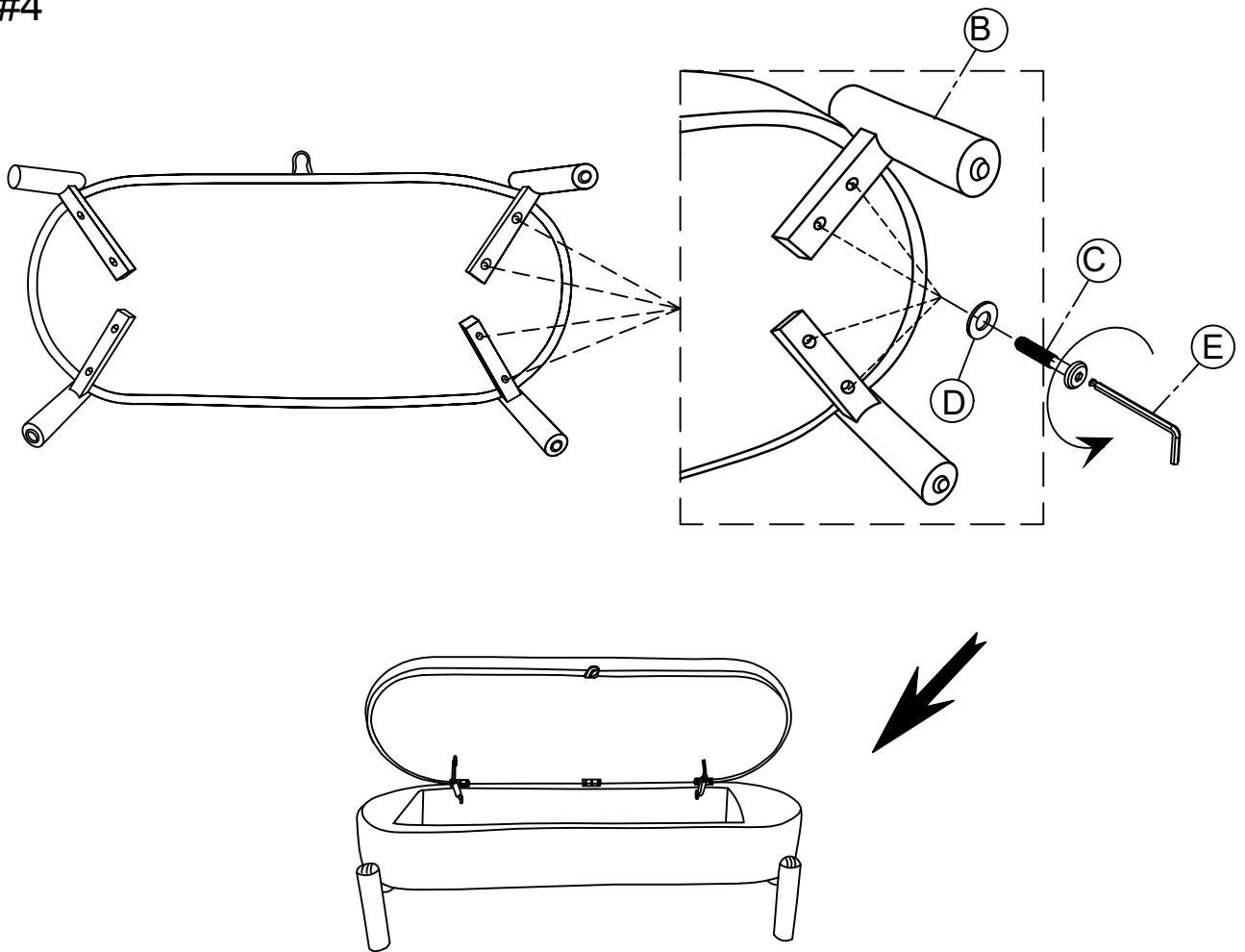
Step #2



Step #3



Step #4



Care Instruction for Corduroy Furniture:

In order to maintain the original appearance of your corduroy Furniture, please follow below simple care procedures:

- Avoid exposing furniture directly to sunlight or heating and air conditioning outlets. Sunlight and or exposure to heating and air conditioning outlets will fade/damage corduroy.
- Vacuum or wipe with a soft cloth to remove dust.
- Hardware may loosen over time. Periodically check to make sure all connection are tight, Re-tighten if necessary



For items use on wooden floor, hard surfaces or carpets, it is recommended to Install protective pads under all legs and supports to avoid/prevent from damages/scratches and discoloration.