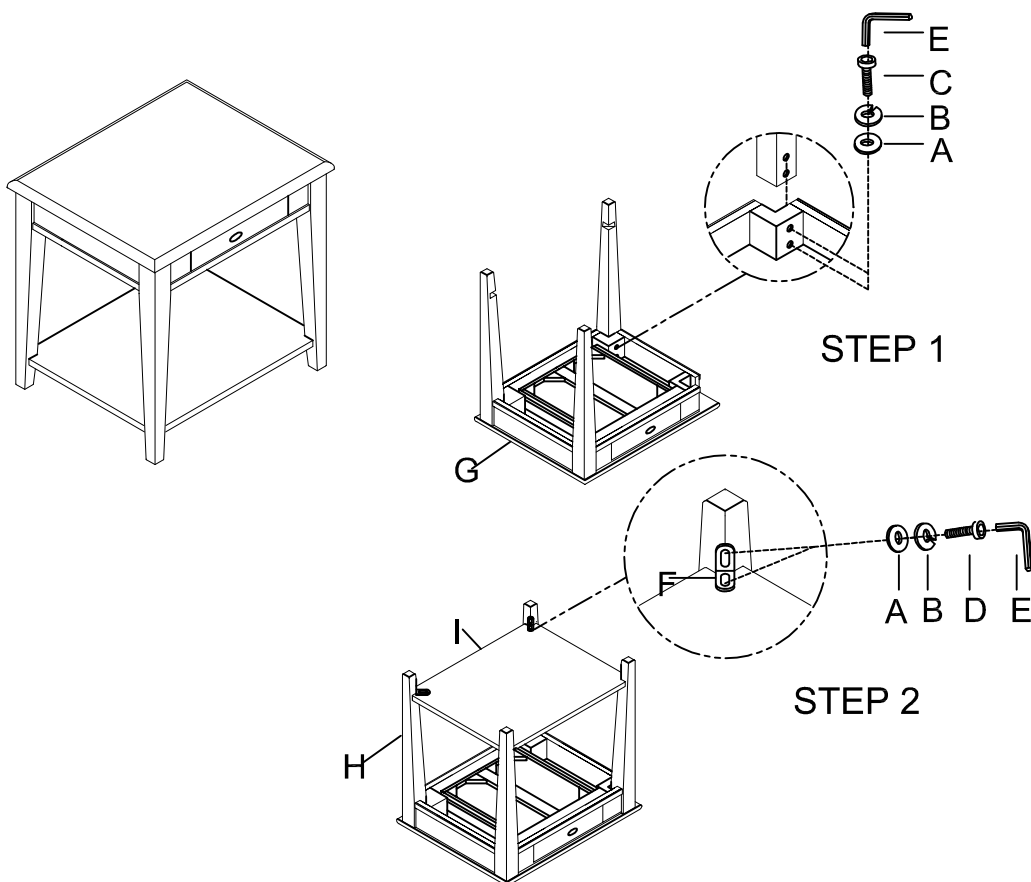




H O M E L E G A N C E

ITEM NO: RF1303-04 END TABLE

Thank you for purchasing this quality product. Be sure to check all packing material carefully for small parts which may have come loose inside the carton during shipment. Identify and count all parts and compare with the Parts List below.



**PARTS LIST:**

NO.	Description	Drawing	Quantity
G	Table top		1 pc
H	Table leg		4 pcs
I	Shelf		1 pc

**HARDWARE LIST OF BED RAILS:**

No.	Description	Sketch	Size	Quantity
A	Flat washer		1/4"*16mm	16 pcs
B	Lock washer		1/4"	16 pcs
C	Bolt		1/4"*2-1/4"	8 pcs
D	Bolt		1/4"*5/8"	8 pcs
E	Wrench		1/4"	1 pc
F	Angle Bracket			4 pcs