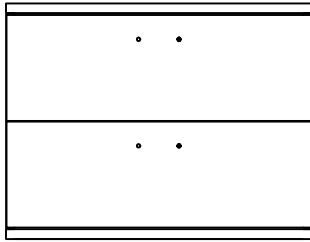


1(EN)
Turn the night table on the his
back side and fix the feet

Top



1(FR)
Poser le dressoir sur son
dos et fixer les pieds

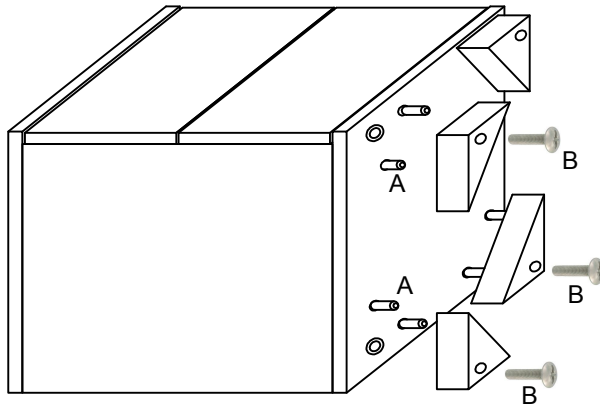
IMPORTANT
ASSEMBLING THIS
UNIT NEEDS
MINIMUM 2 PEOPLE



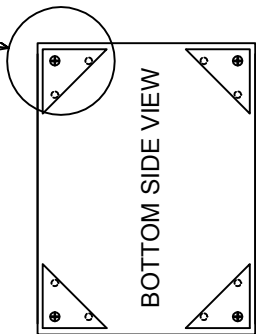
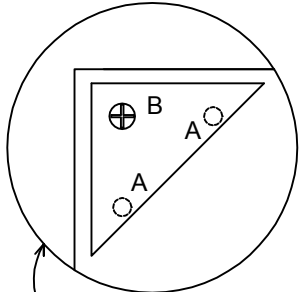
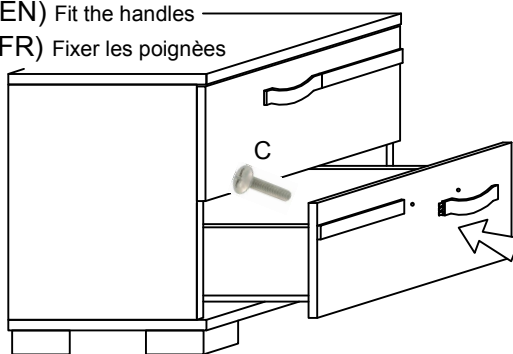
NO
DON'T USE THE DRILL



Top



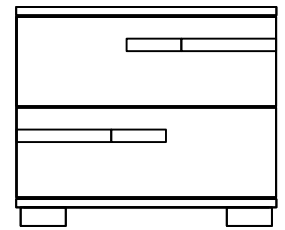
2 (EN) Fit the handles
2 (FR) Fixer les poignées



VOLARE

Fitting check list

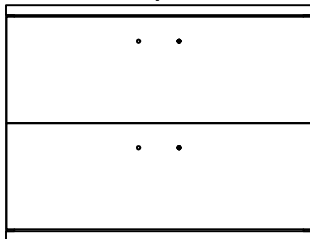
A		Wooden dowels (8 pcs)
B		Screw for feet TBL 6MA (4 pcs)
C		Screw for handles TBL 4MA (6 pcs)



Tipologia	VOLARE Bedroom
Codice	VOBBLCD01
Project	Night Table
StatuS - Albina di Gaiarine (Italy) - www.statusitaly.it	
TEL +39 0434 75195 FAX +39 0434759553	

1(EN)
Turn the night table on the his
back side and fix the feet

Top



1(FR)
Poser le dressoir sur son
dos et fixer les pieds

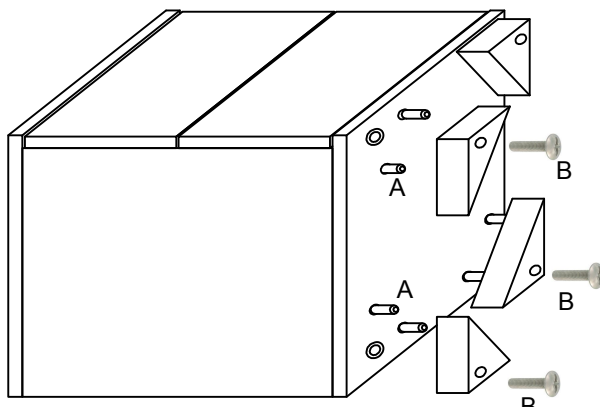
IMPORTANT
ASSEMBLING THIS
UNIT NEEDS
MINIMUM 2 PEOPLE



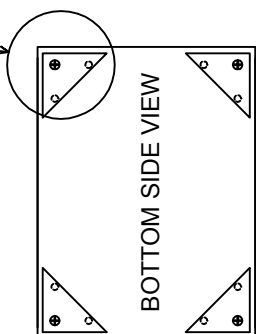
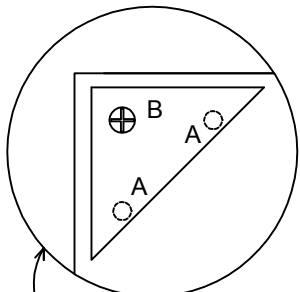
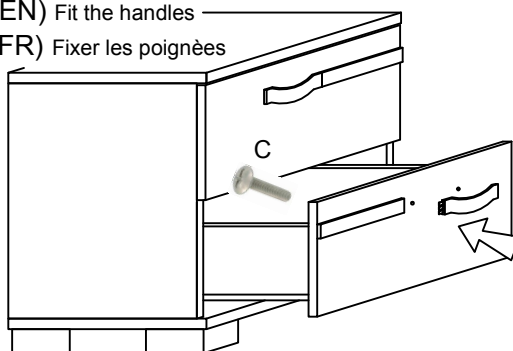
NO
DON'T USE THE DRILL



Top



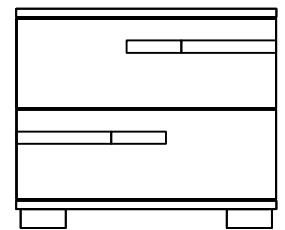
2 (EN) Fit the handles
2 (FR) Fixer les poignées



VOLARE

Fitting check list

A		Wooden dowels (8 pcs)
B		Screw for feet TBL 6MA (4 pcs)
C		Screw for handles TBL 4MA (6 pcs)



Tipologia	VOLARE Bedroom
Codice	VOBBLCD01
Project	Night Table
StatuS - Albina di Gaiarine (Italy) - www.statusitaly.it	
TEL +39 0434 75195 FAX +39 0434759553	