



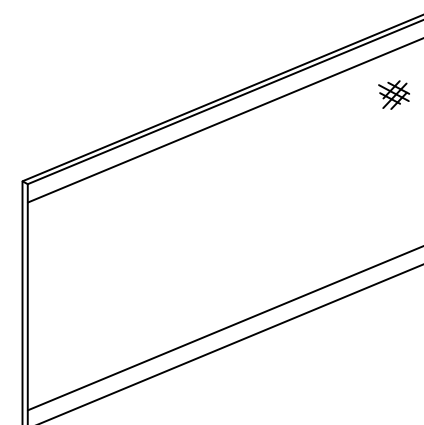
TREVISO

LEGEND

- ① Mirror
- ② Buffet

FITTINGS CHECK LIST

- (A)  Screws (4)
- (B)  Brackets (4)



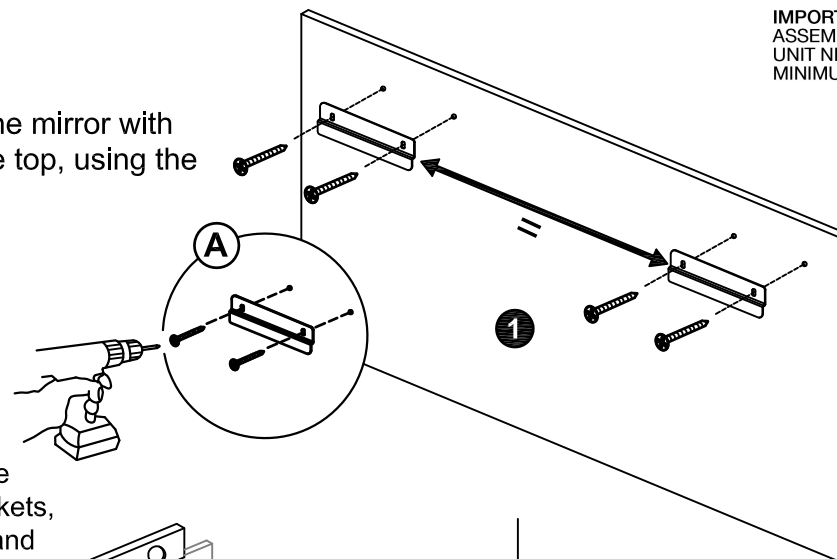
Tipologia	TREVISO Dining
Codice	ERTRWHSP01
Project	Mirror

STATUS
Italian status symbol

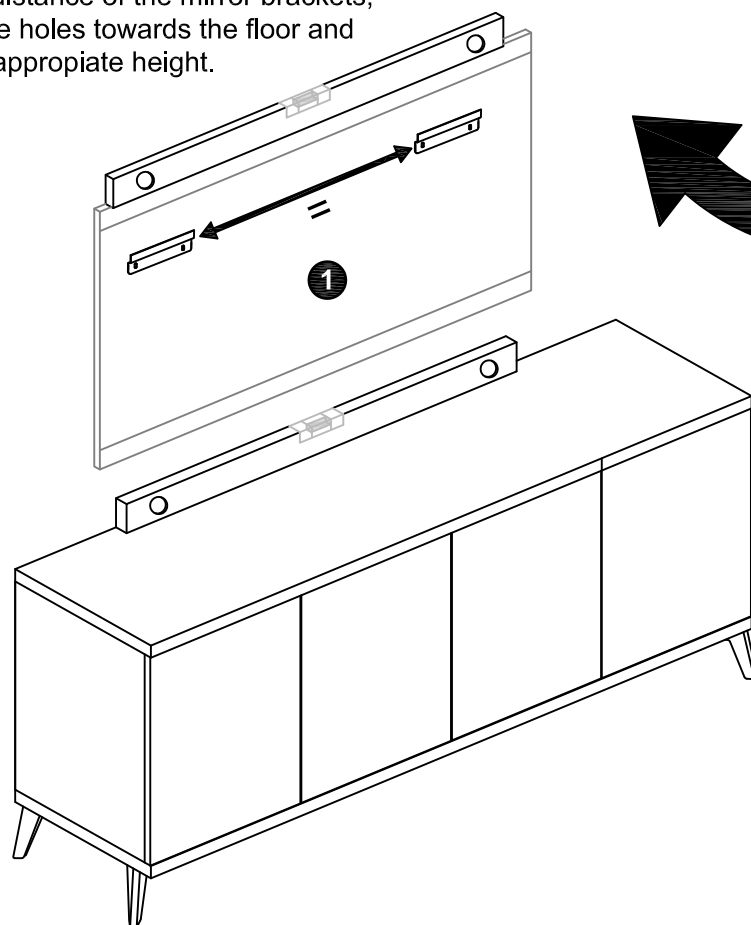
IMPORTANT
ASSEMBLING THIS
UNIT NEEDS
MINIMUM 2 PEOPLE



- ① Fix the brackets on the mirror with the holes towards the top, using the provided screws



- ② Fix the brackets on the wall at the same distance of the mirror brackets, with the holes towards the floor and at the appropriate height.



- ③ Hang the mirror on the wall as per the (y) image

