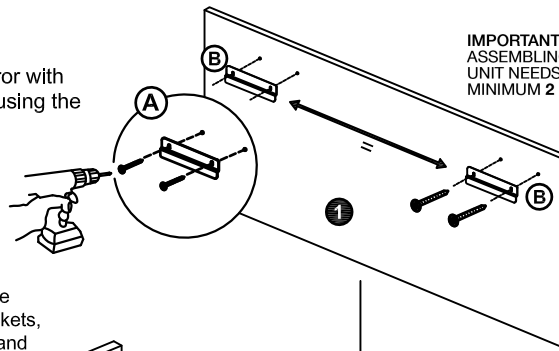


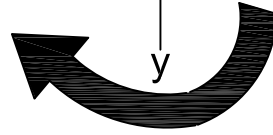
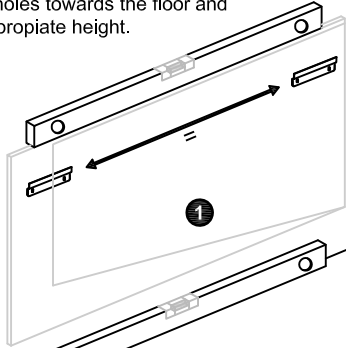
- 1 Fix the brackets on the mirror with the holes towards the top, using the provided screws



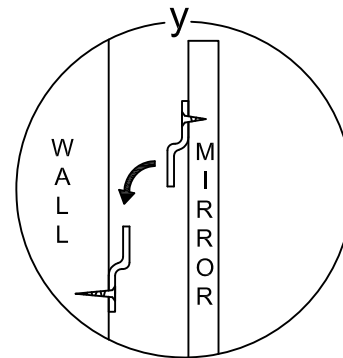
IMPORTANT
ASSEMBLING THIS
UNIT NEEDS
MINIMUM 2 PEOPLE



- 2 Fix the brackets on the wall at the same distance of the mirror brackets, with the holes towards the floor and at the appropriate height.



- 3 Hang the mirror on the wall as per the (y) image



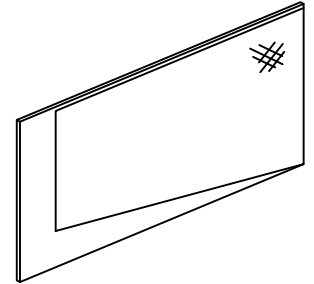
SARAH

LEGEND

- 1 Mirror
2 Dresser

FITTINGS CHECK LIST

- A Screws (4)
B Brackets (4)



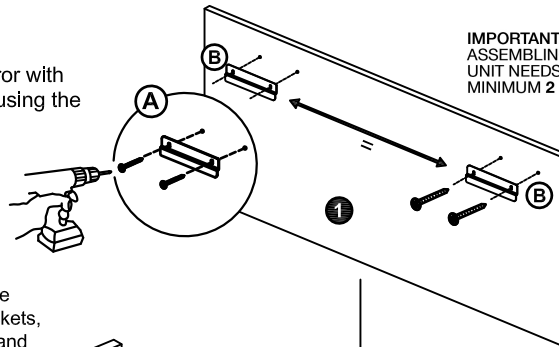
Tipologia	SARAH Dining
Codice	SADGRSP01
Project	Mirror

STATUS

Italian status symbol

100% made in Italy

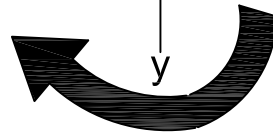
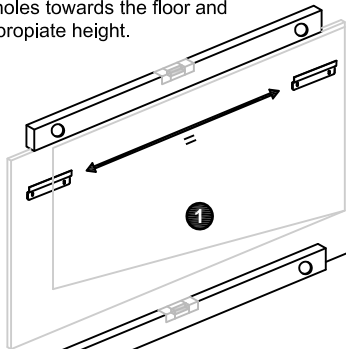
- 1 Fix the brackets on the mirror with the holes towards the top, using the provided screws



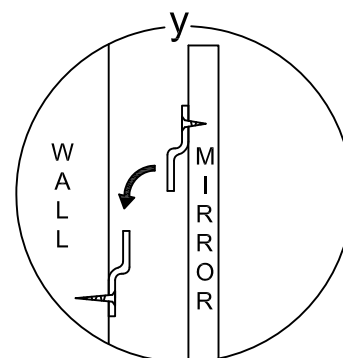
IMPORTANT
ASSEMBLING THIS
UNIT NEEDS
MINIMUM 2 PEOPLE



- 2 Fix the brackets on the wall at the same distance of the mirror brackets, with the holes towards the floor and at the appropriate height.



- 3 Hang the mirror on the wall as per the (y) image



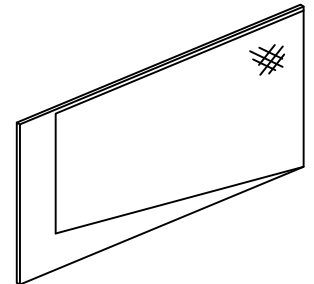
SARAH

LEGEND

- 1 Mirror
2 Dresser

FITTINGS CHECK LIST

- A Screws (4)
B Brackets (4)



Tipologia	SARAH Dining
Codice	SADGRSP01
Project	Mirror

STATUS

Italian status symbol

100% made in Italy