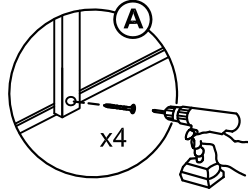
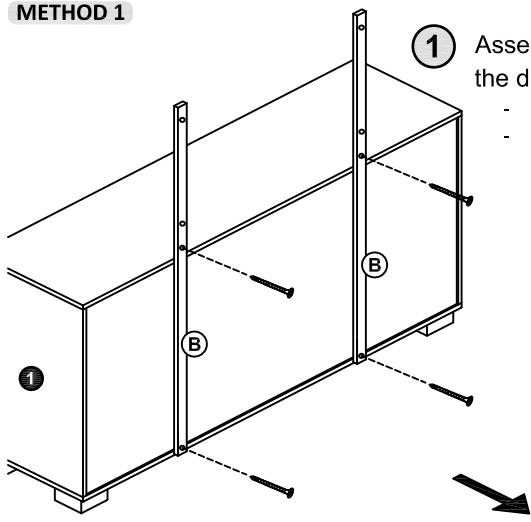


METHOD 1

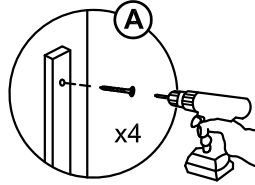
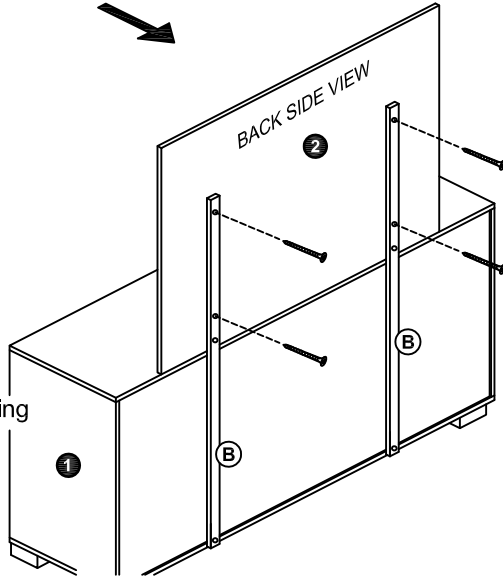
1 Assemble the crosspieces on the dresser using the screws:

- 1 screw in the top
- 1 screw in the bottom

IMPORTANT
ASSEMBLING THIS
UNIT NEEDS
MINIMUM 2 PEOPLE



2 Assemble the mirror using the screws on the back



PRESTIGE

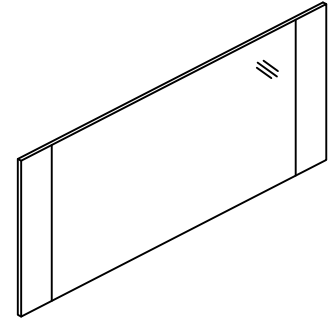
LEGEND

- 1** Dresser
- 2** Mirror

FITTINGS CHECK LIST

A Screws (8)
ø3,5 L35

B Crosspieces (2)

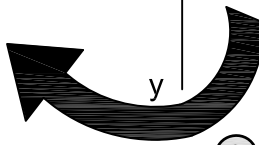
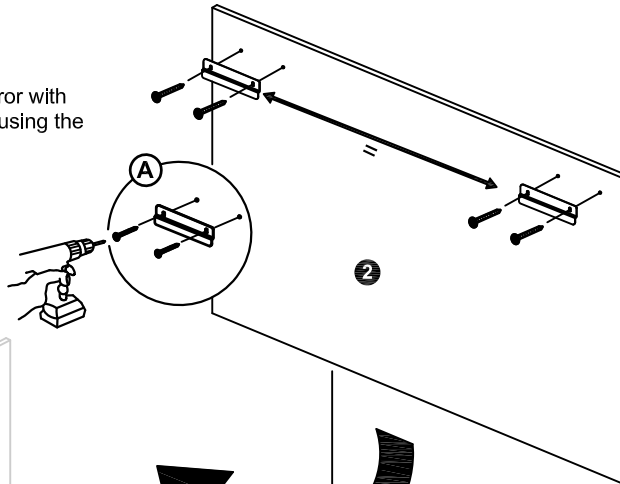


Tipologia	PRESTIGE Bedroom
Codice	PRBUMSP01
Project	Mirror

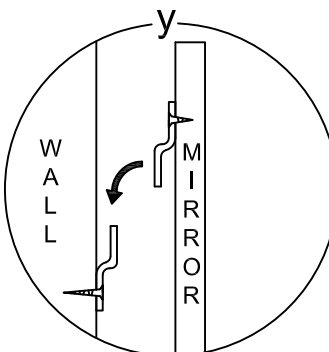
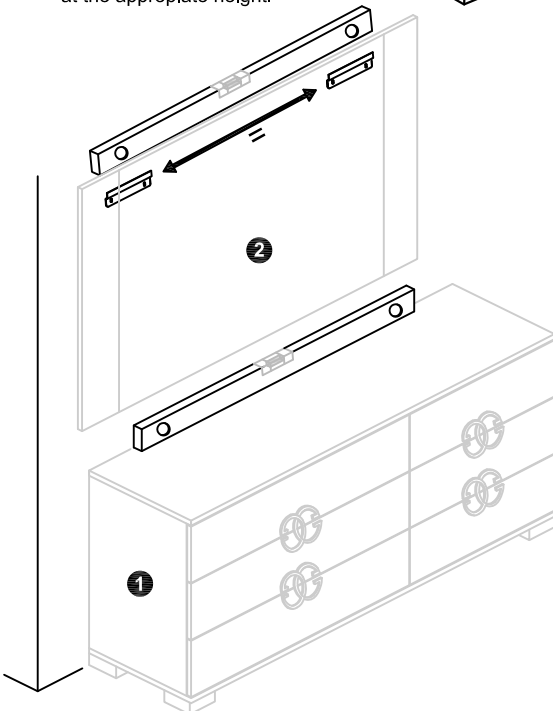
METHOD 2

1 Fix the brackets on the mirror with the holes towards the top, using the provided screws

2 Fix the brackets on the wall at the same distance of the mirror brackets, with the holes towards the floor and at the appropriate height.



3 Hang the mirror on the wall as per the (y) image



PRESTIGE

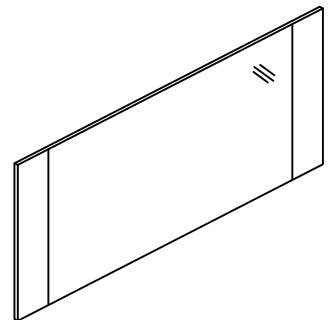
LEGEND

- 1** Dresser
- 2** Mirror

FITTINGS CHECK LIST

A Screws (4)

B Brackets (4)



Tipologia	PRESTIGE Bedroom
Codice	PRBUMSP01
Project	Mirror

STATUS
Italian status symbol

100% made in Italy