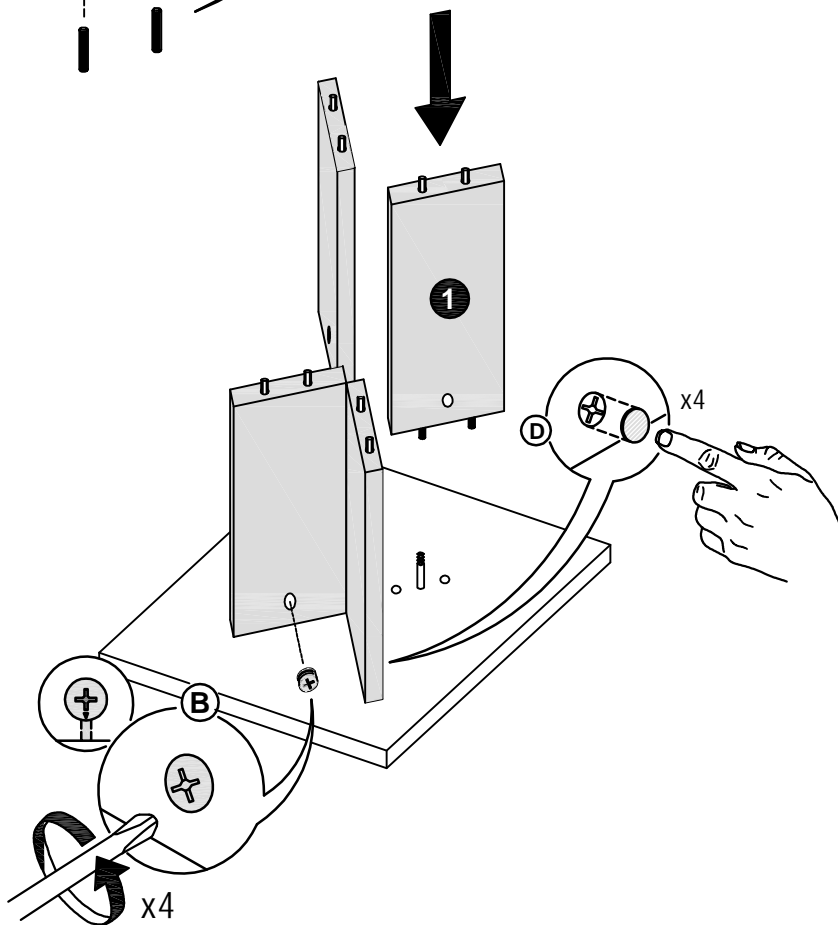
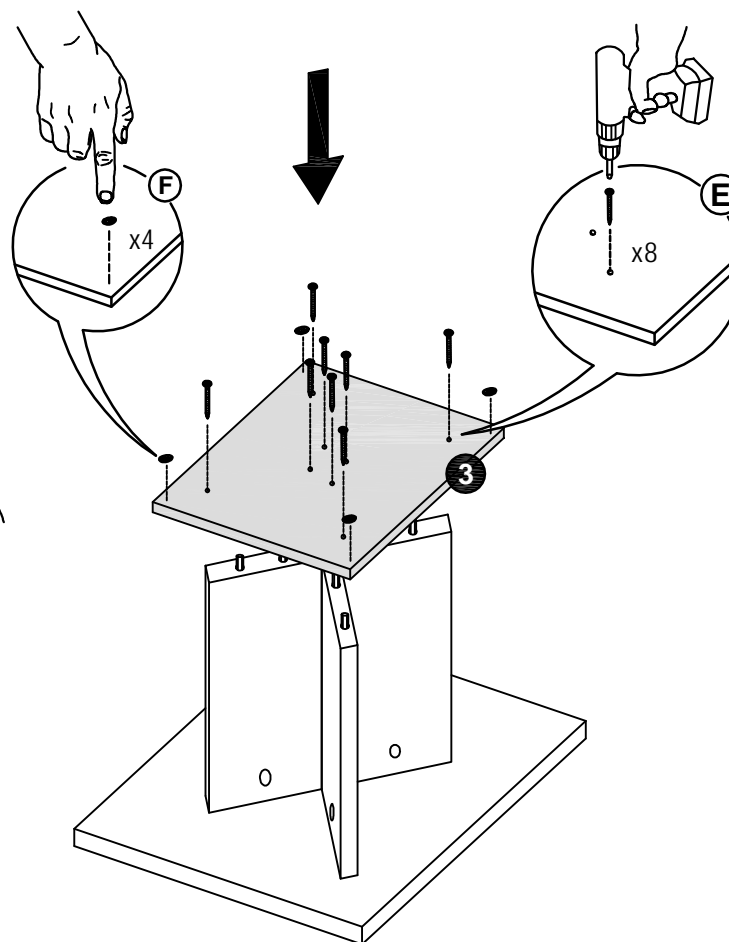
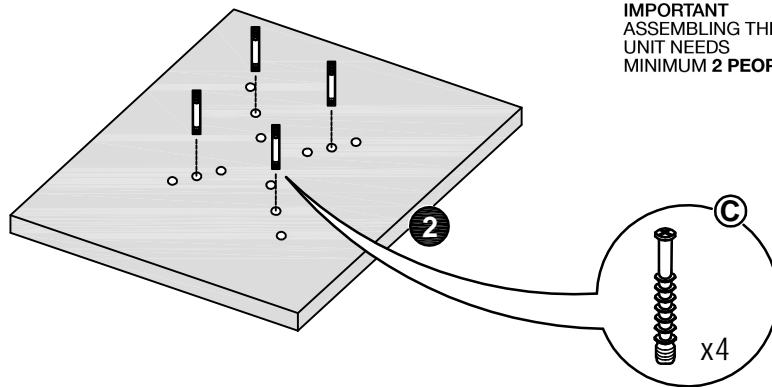


IMPORTANT  
ASSEMBLING THIS  
UNIT NEEDS  
MINIMUM 2 PEOPLE



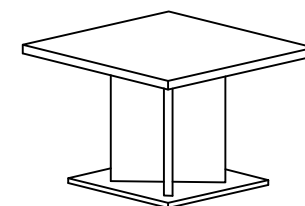
# SARAH

## LEGEND

- 1 Legs
- 2 Top
- 3 Basement

## FITTINGS CHECK LIST

- A (x16)
- B (x4)
- C (x4)
- D (x4)
- E (x8)
- F (x4)



Model	SARAH Dining
Code	SADGRCT02
Item	Lamp Table

