

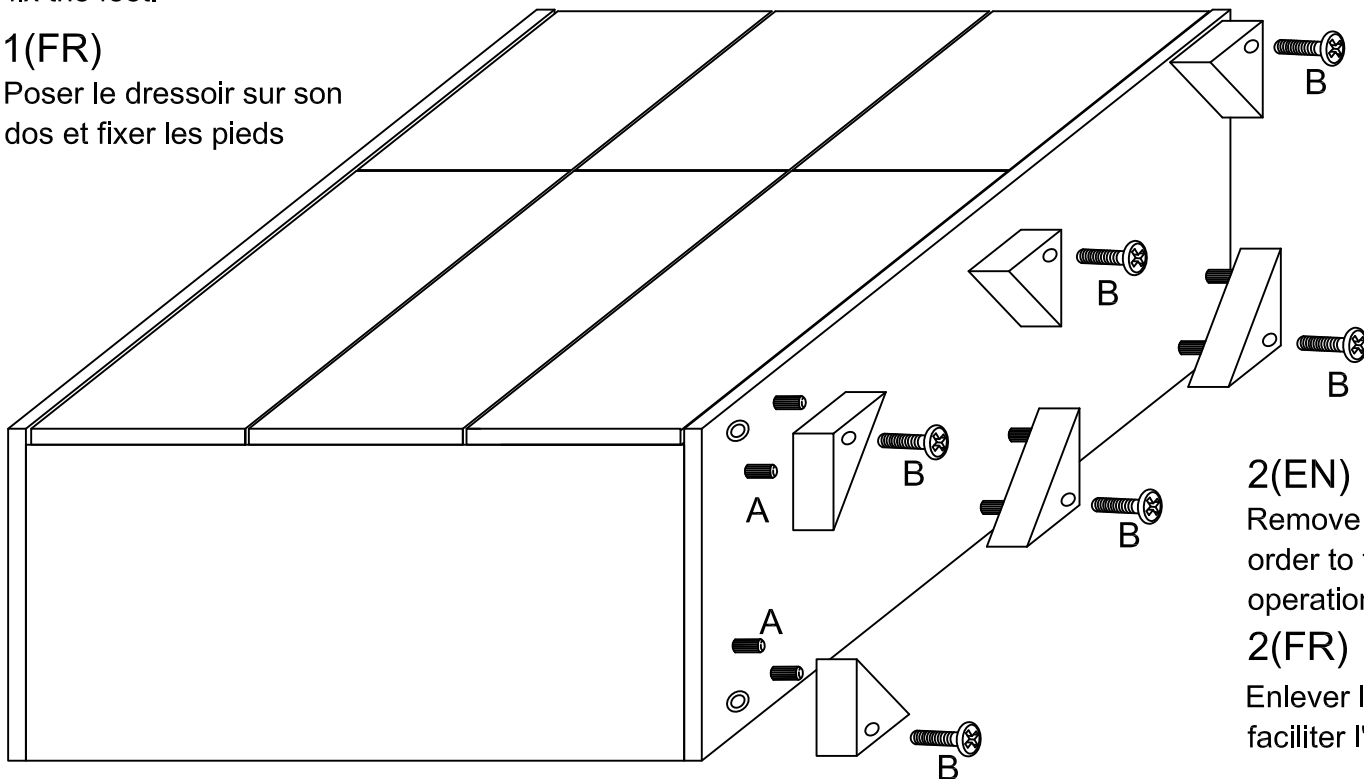
1(EN)

Turn the dresser on his back and fix the feet.

1(FR)

Poser le dressoir sur son dos et fixer les pieds

IMPORTANT
ASSEMBLING THIS
UNIT NEEDS
MINIMUM 2 PEOPLE

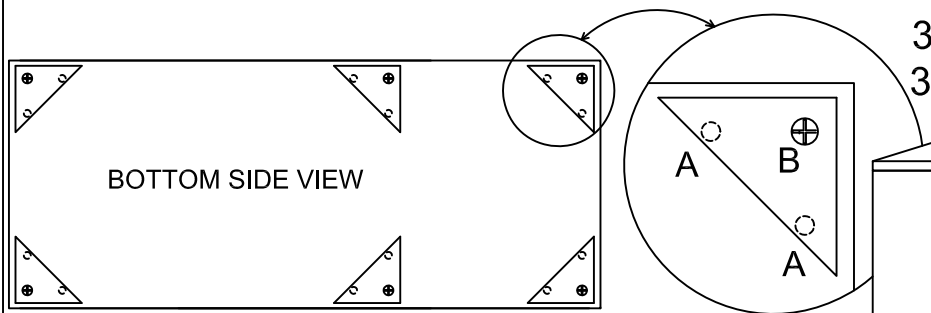


2(EN)

Remove the drawers in order to facilitate the operation

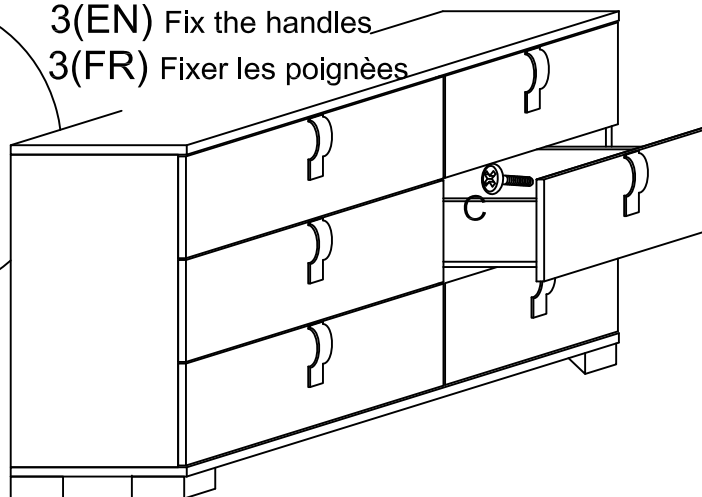
2(FR)

Enlever les tiroirs pour faciliter l'opération






3(EN) Fix the handles

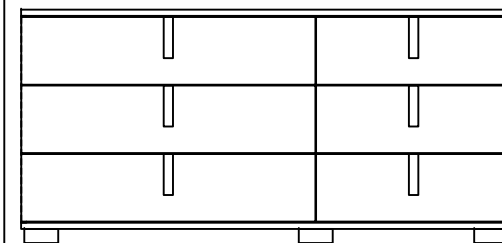
3(FR) Fixer les poignées



SARAH

Fitting check list

- (A)  Wooden Dowels x12
- (B)  Screws TBL 6MA x6
- (C)  Screws TBL 4MA x12



Tipologia	SARAH Bedroom
Codice	SABGRCM01
Project	Dresser 6/ drawers

STATUS
Italian status symbol