




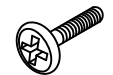


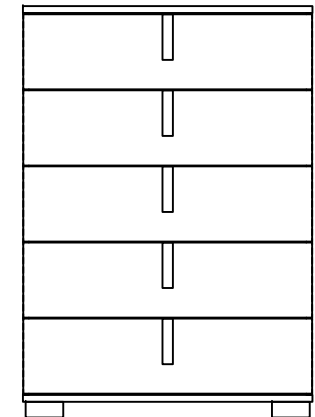
IMPORTANT  
ASSEMBLING THIS  
UNIT NEEDS  
MINIMUM 2 PEOPLE



# SARAH

## Fitting check list

- 

Wooden Dowels
x8
- 

Screws TBL 6MA
x4
- 

Screws TBL 4MA
x10



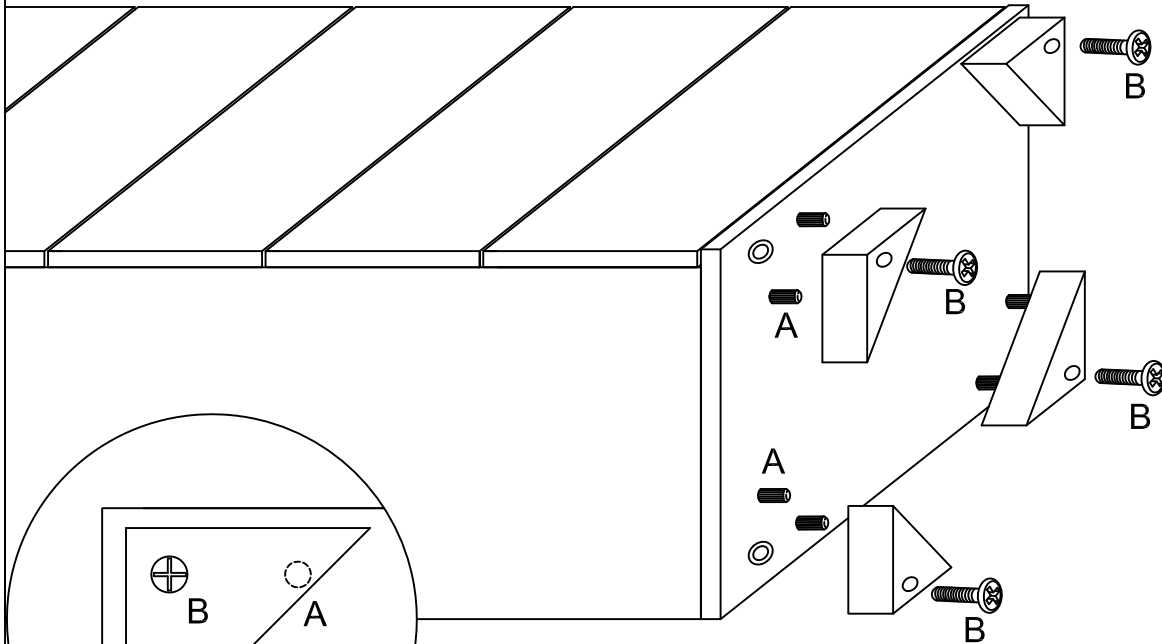
Tipologia	<b>SARAH Bedroom</b>
Codice	SABGRCM02
Project	Chest 5/ drawers

### 1 (EN)

Turn the chest on his back and fix the feet. Remove the drawers in order to facilitate the operation

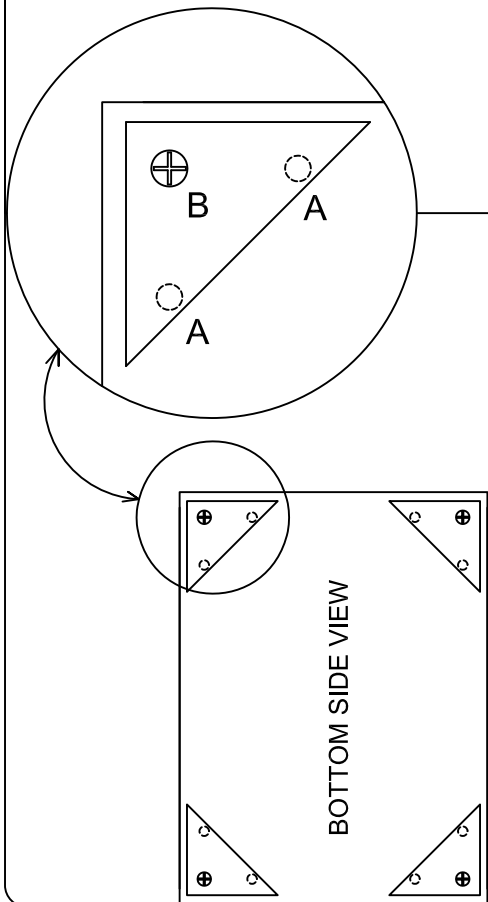
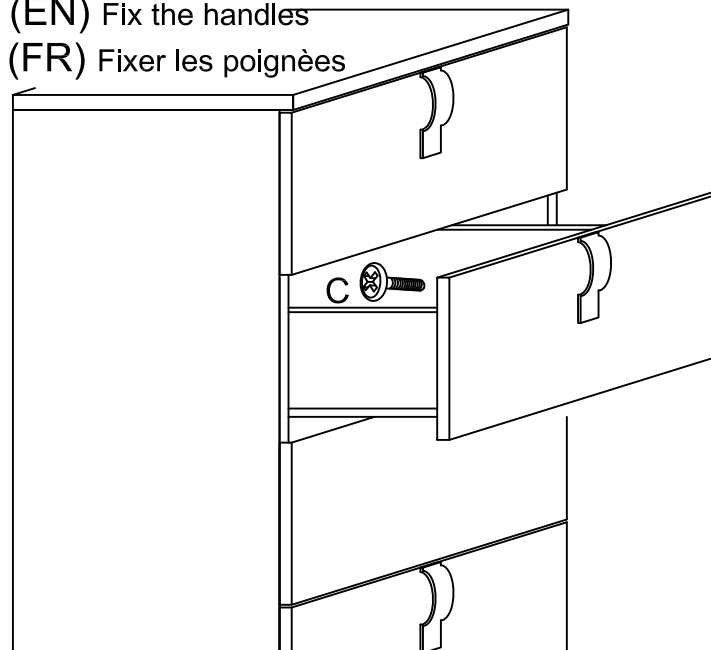
### 1(FR)

Poser le dressoir sur son dos et fixer les pieds. Enlever les tiroirs pour faciliter l'opération



### 2 (EN) Fix the handles

2 (FR) Fixer les poignées



**STATUS**  
Italian status symbol