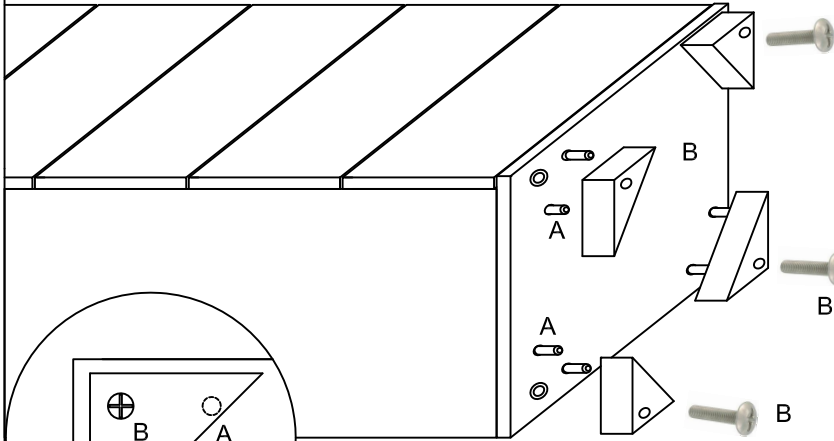


IMPORTANT  
ASSEMBLING THIS  
UNIT NEEDS  
MINIMUM 2 PEOPLE



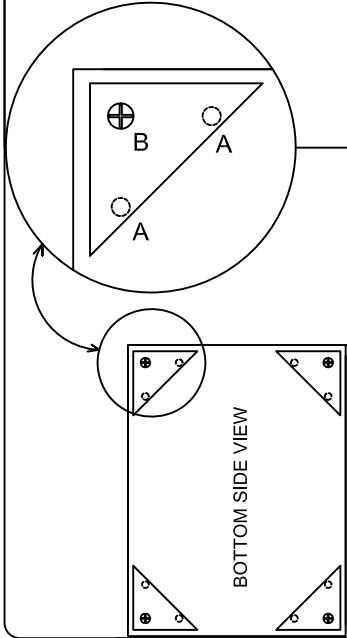
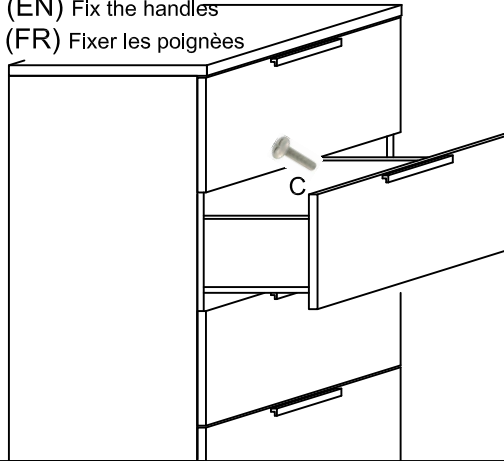
**NO**  
DON'T USE THE DRILL



**1 (EN)**  
Turn the chest on his back and fix the feet. Remove the drawers in order to facilitate the operation

**1(FR)**  
Poser le dressoir sur son dos et fixer les pieds. Enlever les tiroirs pour faciliter l'opération

**2 (EN)** Fix the handles  
**2 (FR)** Fixer les poignées

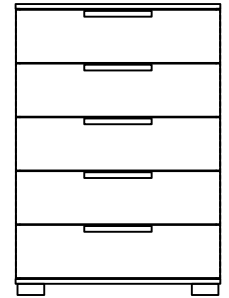


# SARAH

## Fitting check list

A		Wooden dowels (8 pcs)
B		Screw for feet (4 pcs)
C		Screw for handles TBL 4MA (10 pcs)

**STATUS** **IT01**  
Italian status symbol 100% Made in Italy  
1 2 8 4 . 0 6 5 . M  
100% made in Italy

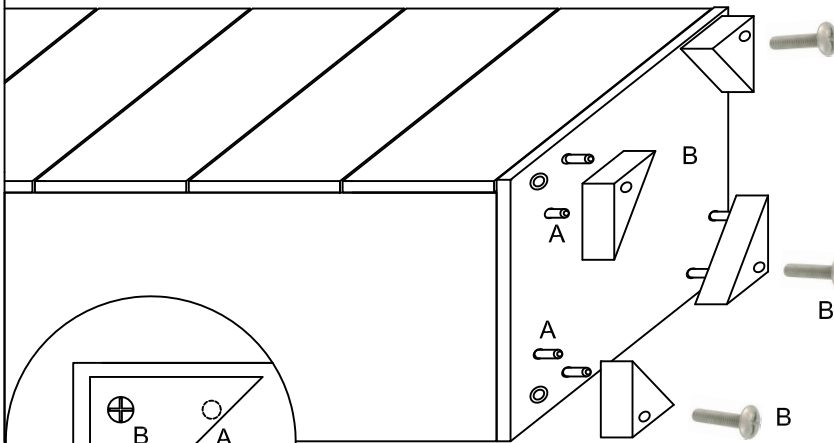


Tipologia	SARAH Bedroom
Codice	MODERN HANDLE
Project	Chest 5/ drawers
StatuS - Albina di Gaiarine (Italy) - www.statusitaly.it	
TEL +39 0434 75195 FAX +39 0434759553	

IMPORTANT  
ASSEMBLING THIS  
UNIT NEEDS  
MINIMUM 2 PEOPLE



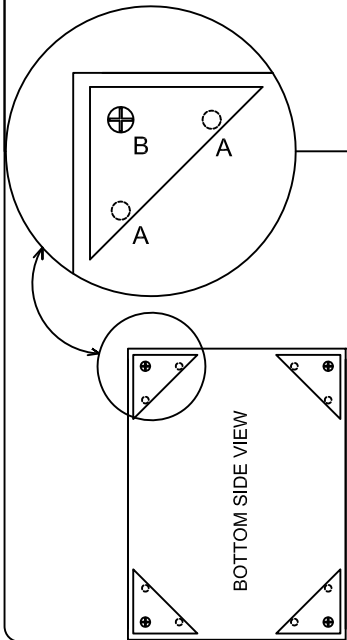
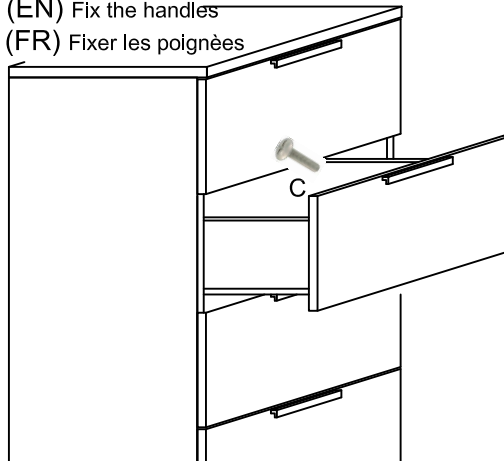
**NO**  
DON'T USE THE DRILL



**1 (EN)**  
Turn the chest on his back and fix the feet. Remove the drawers in order to facilitate the operation

**1(FR)**  
Poser le dressoir sur son dos et fixer les pieds. Enlever les tiroirs pour faciliter l'opération

**2 (EN)** Fix the handles  
**2 (FR)** Fixer les poignées

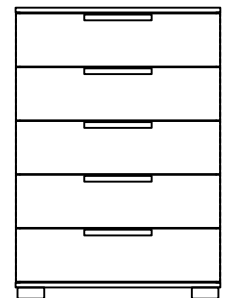


# SARAH

## Fitting check list

A		Wooden dowels (8 pcs)
B		Screw for feet (4 pcs)
C		Screw for handles TBL 4MA (10 pcs)

**STATUS** **IT01**  
Italian status symbol 100% Made in Italy  
1 2 8 4 . 0 6 5 . M  
100% made in Italy



Tipologia	SARAH Bedroom
Codice	MODERN HANDLE
Project	Chest 5/ drawers
StatuS - Albina di Gaiarine (Italy) - www.statusitaly.it	
TEL +39 0434 75195 FAX +39 0434759553	