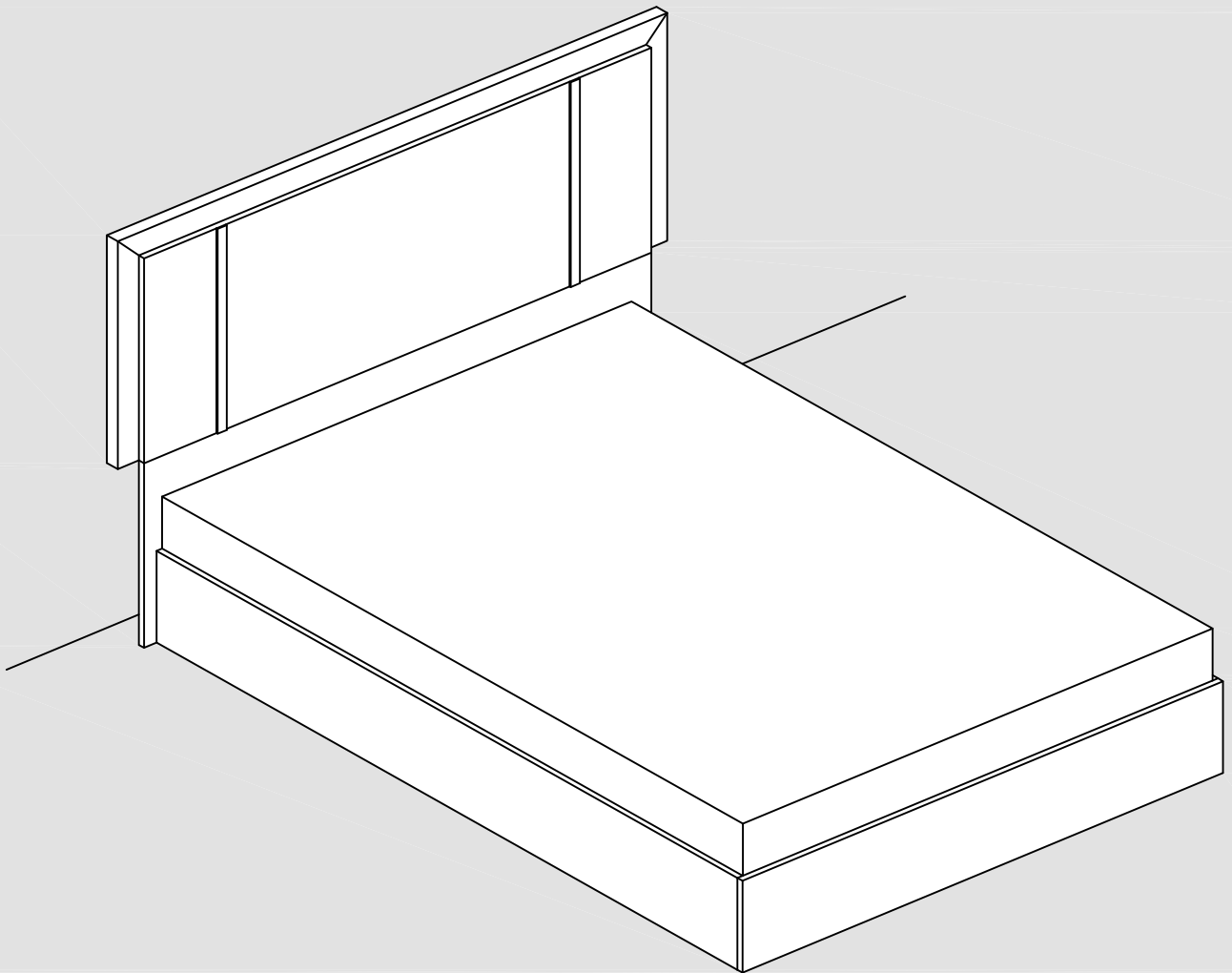
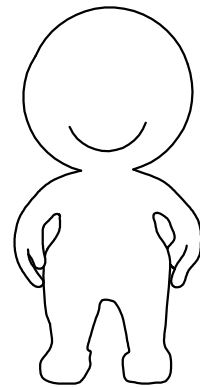
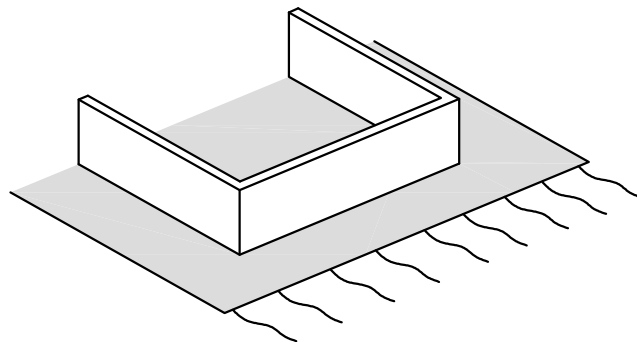
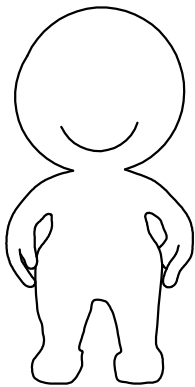
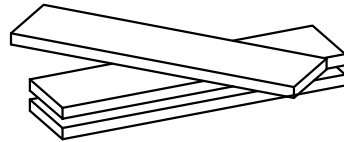
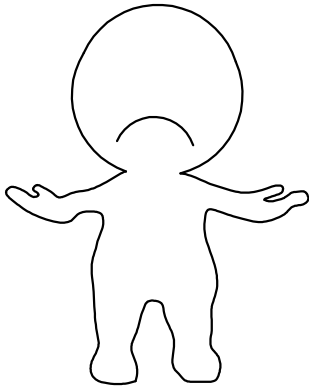
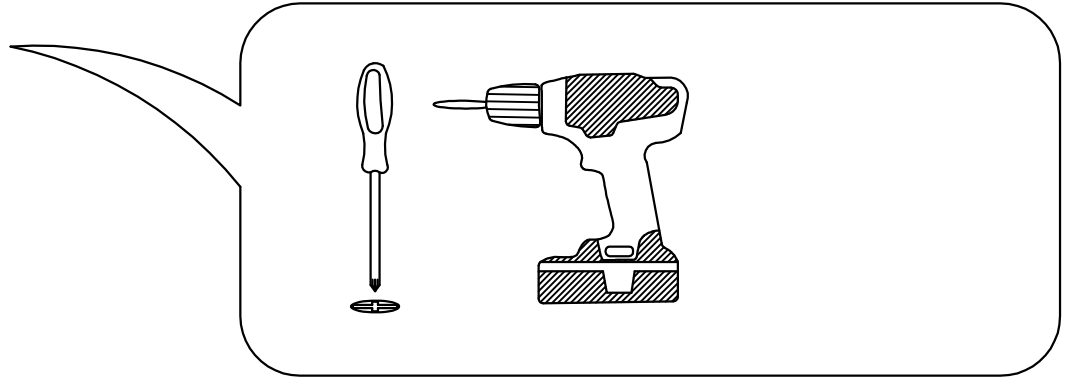
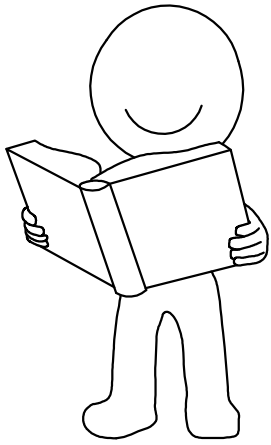




ASSEMBLING INSTRUCTIONS

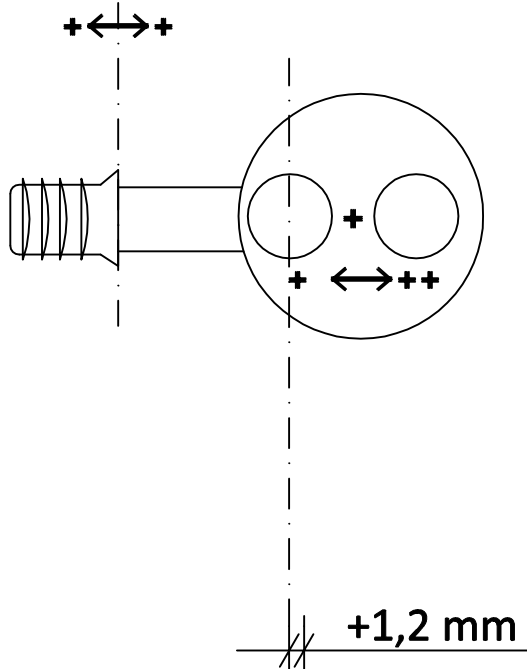


BED Q.S. - 180 - K.S.
MOD. TREVISO

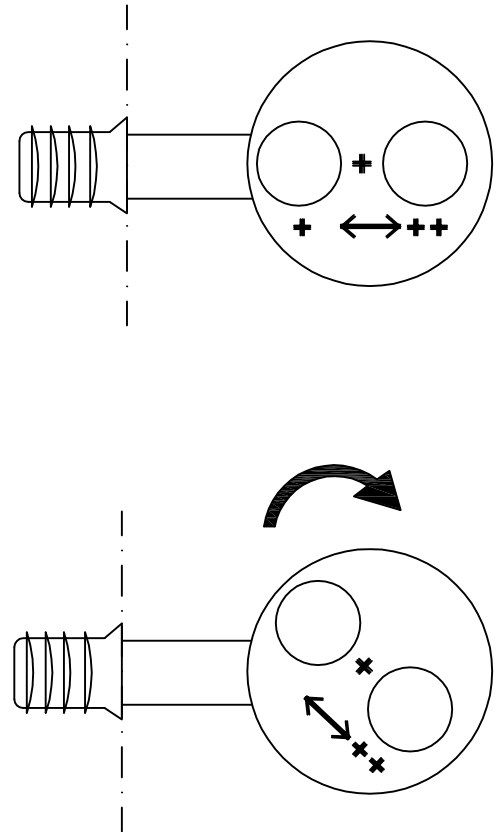


JUNCTION "VIS"

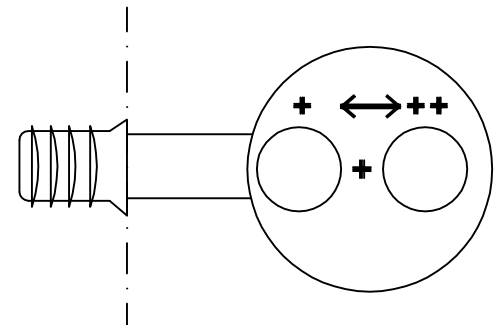
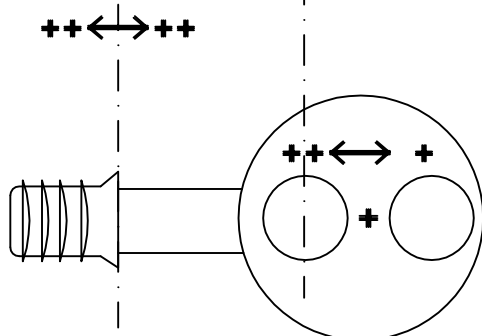
POSITION +



180° ROTATION TO CHANGE POSITION



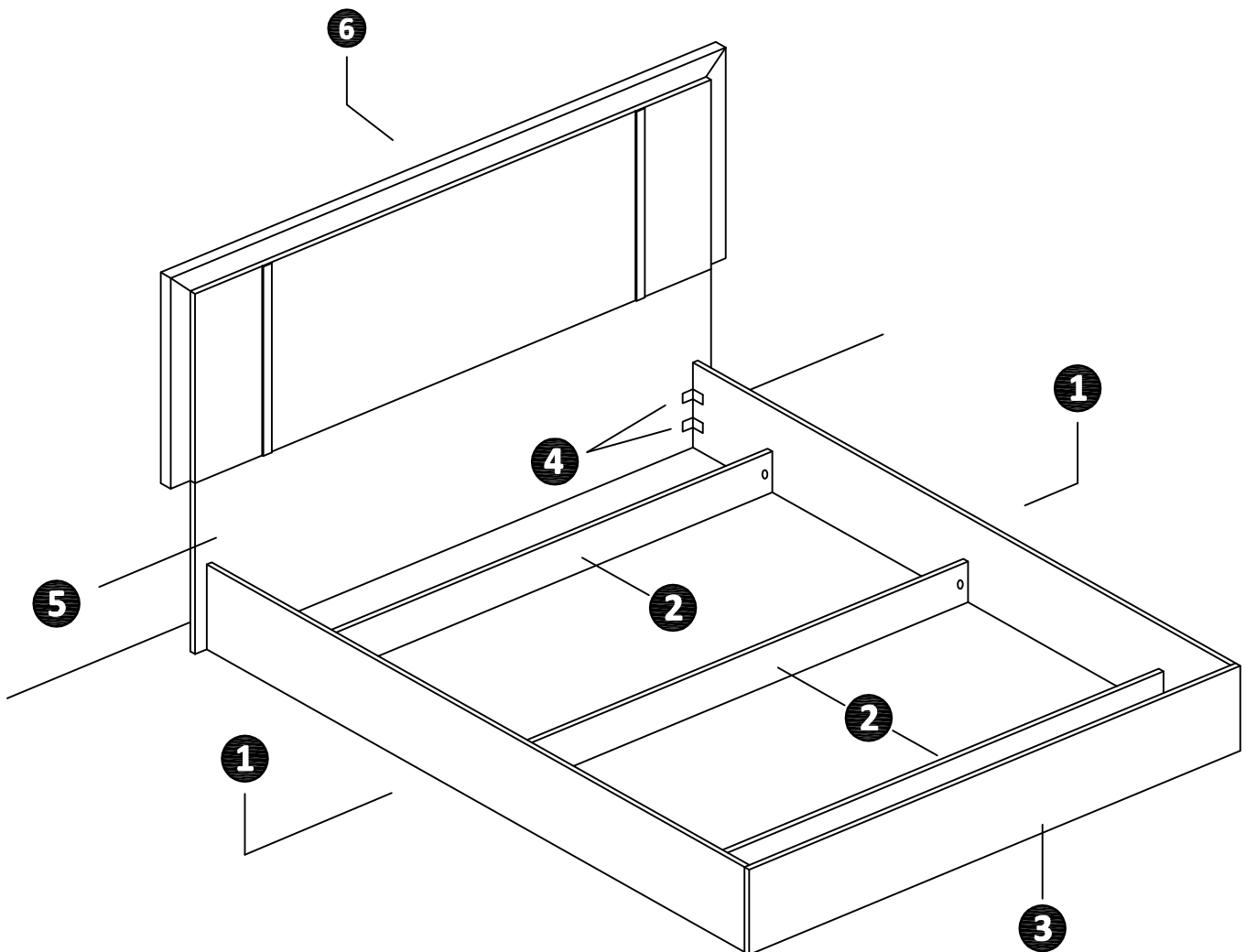
POSITION +



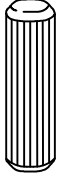
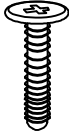
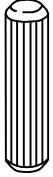
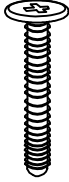


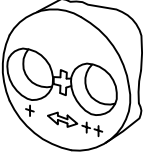



TO CHANGE THE LOCKING POSITION, REMOVE THE LOCKING SCREW AND ROTATE THE JUNCTION BY 180° WITH A SCREWDRIVER

LEGEND

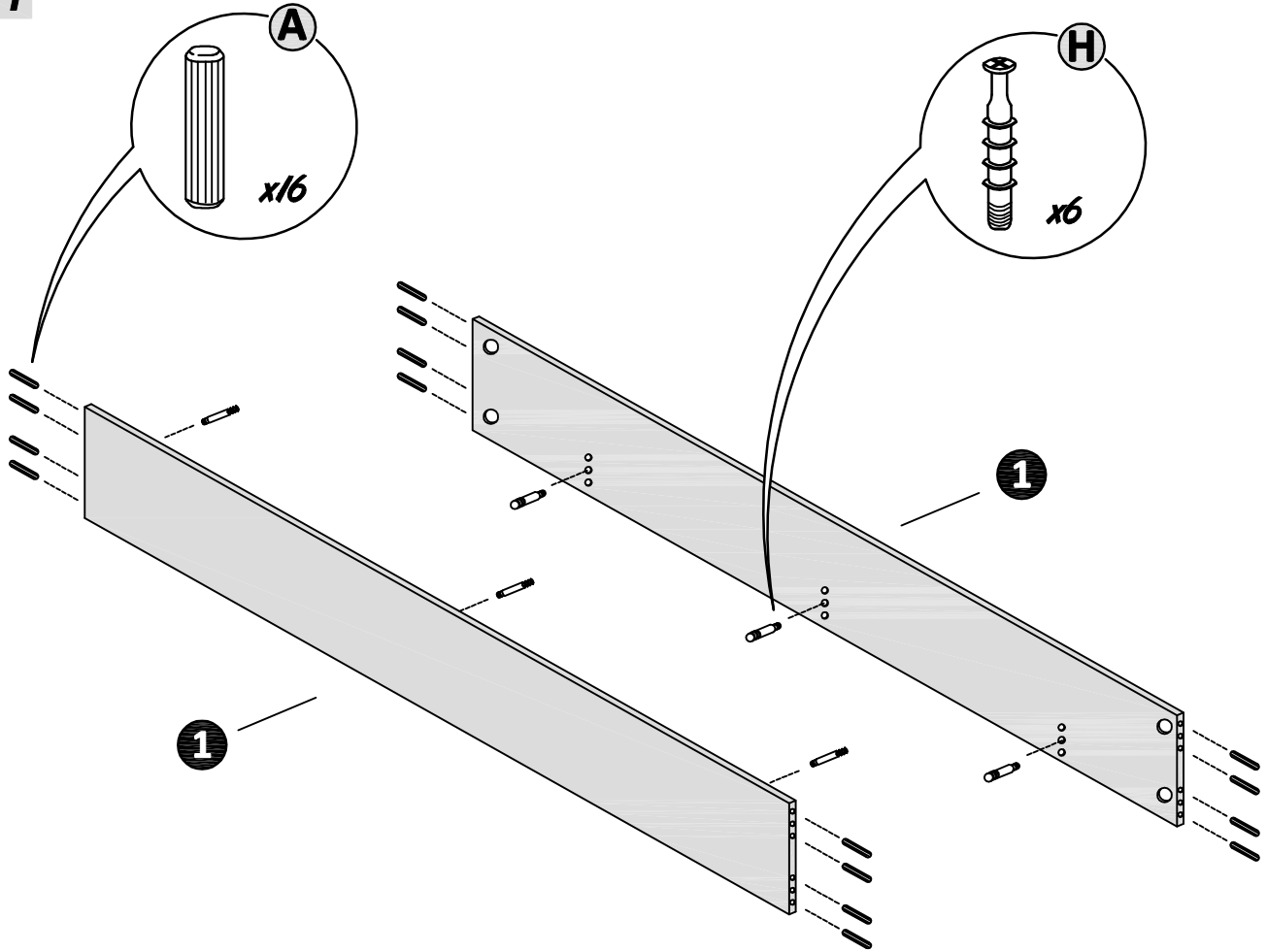
- ① Side rails
- ② Crosspieces
- ③ Footboard
- ④ Iron Corners
- ⑤ Under Headboard
- ⑥ Headboard



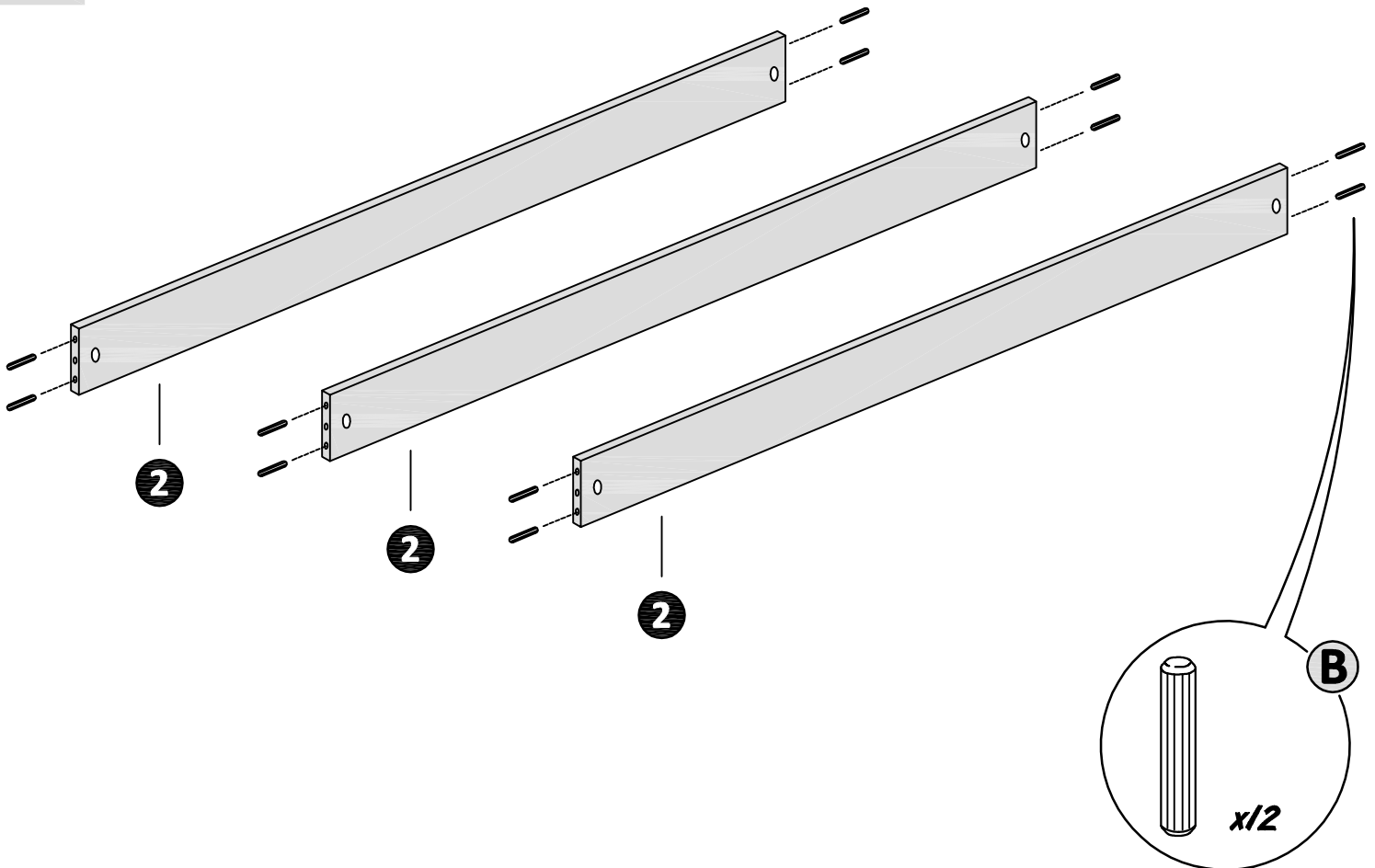
GENERAL FITTINGS CHECK LIST

A	 <i>x16</i>	Wooden Dowels 10x30	F	 <i>x16</i>	Screws 6Mx15
B	 <i>x12</i>	Wooden Dowels 8x30	G	 <i>x24</i>	Screws 6MX25
C	 <i>x8</i>	Pins "VIS"	H	 <i>x6</i>	Pins
D	 <i>x8</i>	Cams "VIS"	I	 <i>x6</i>	Cams
E	 <i>x8</i>	Grub screws "VIS"	L	 <i>x6</i>	Screws 3,5x50

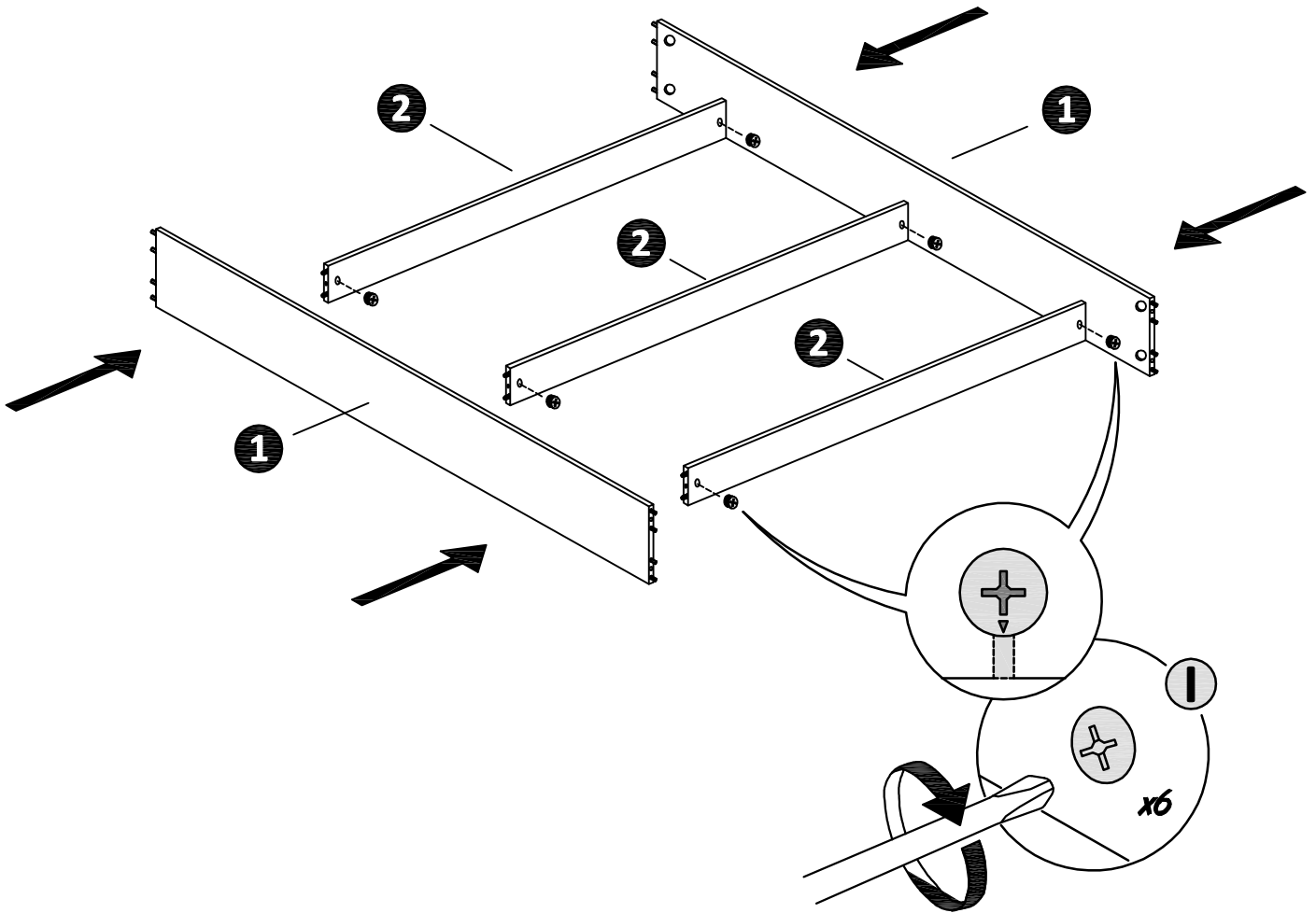
1



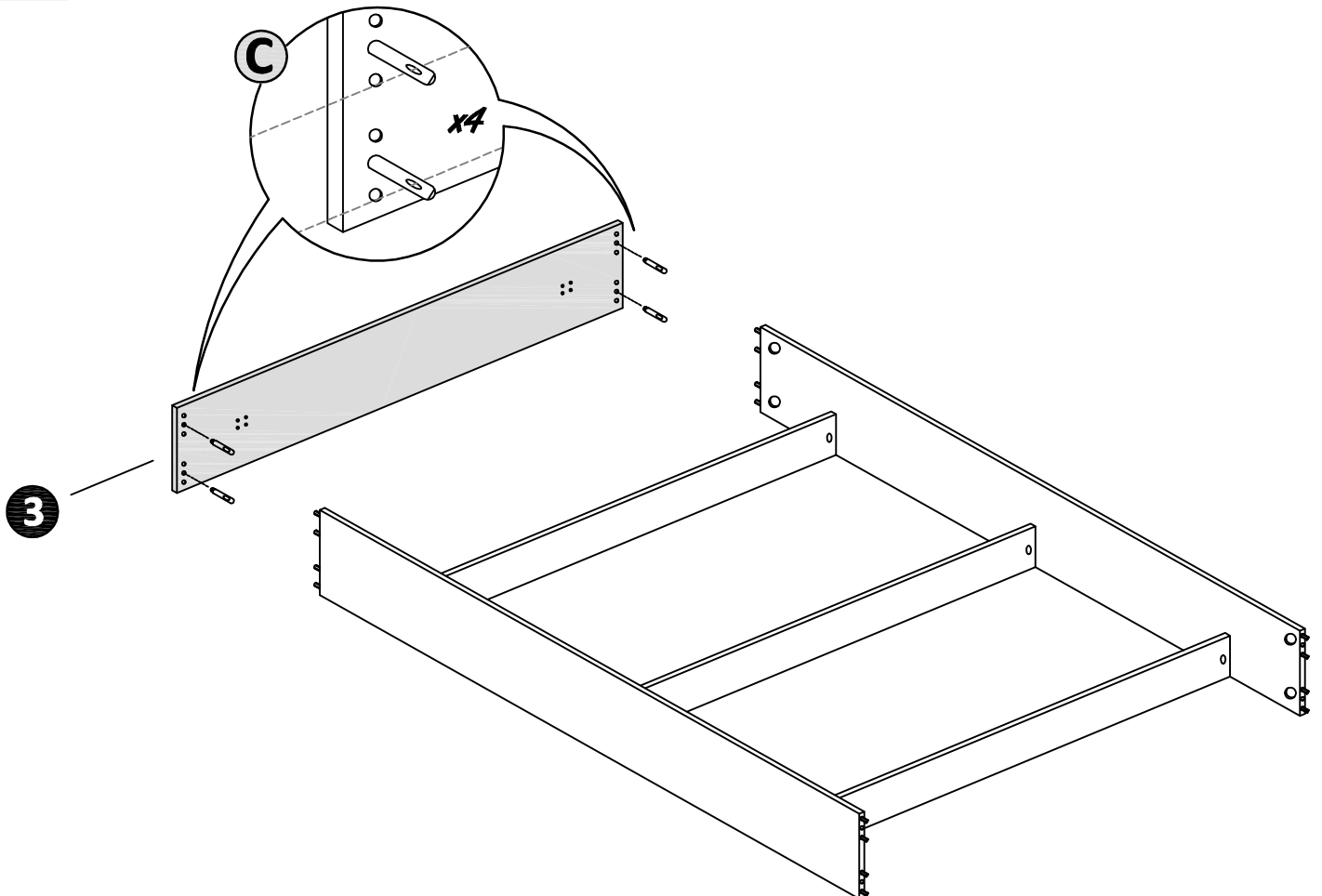
2



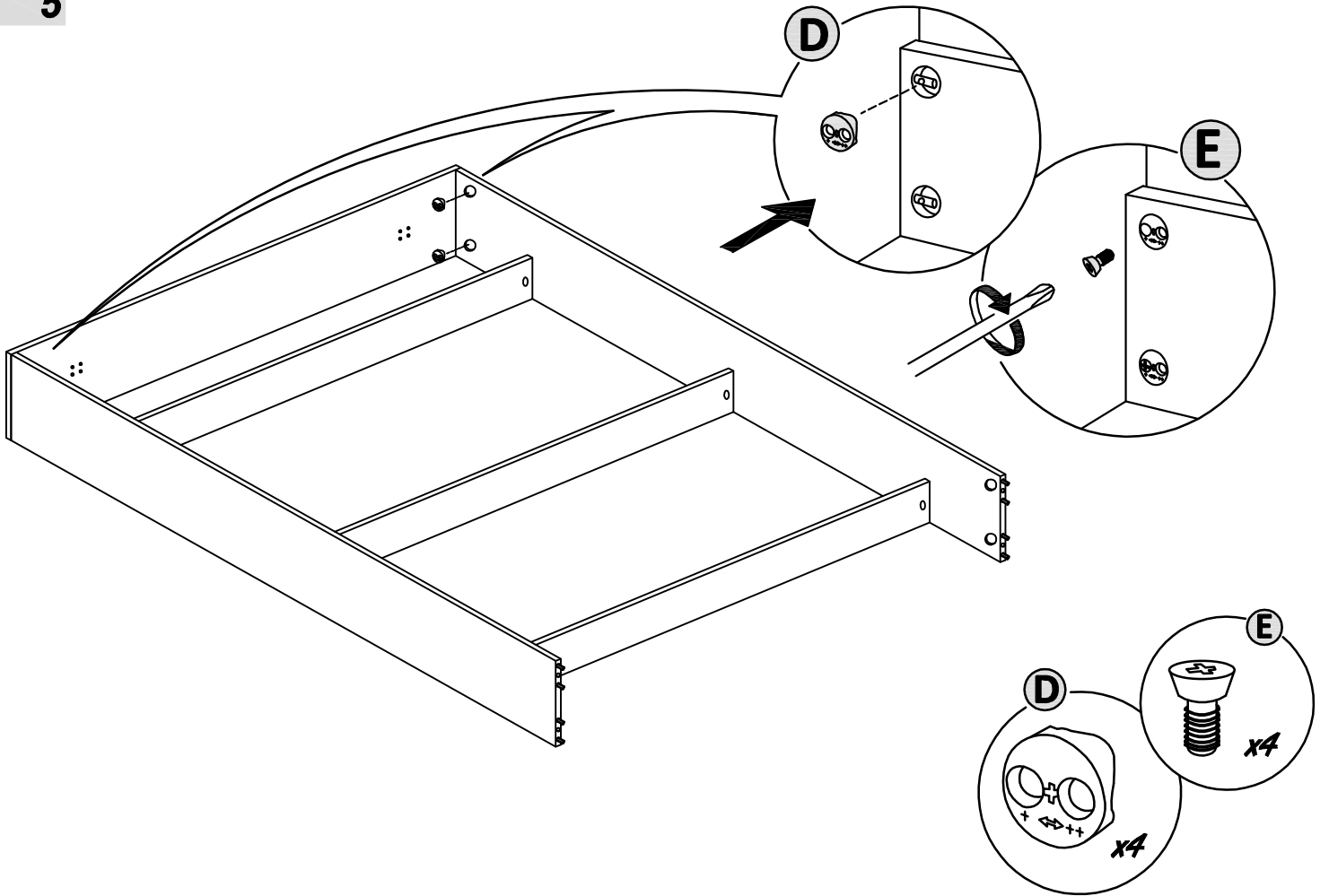
3



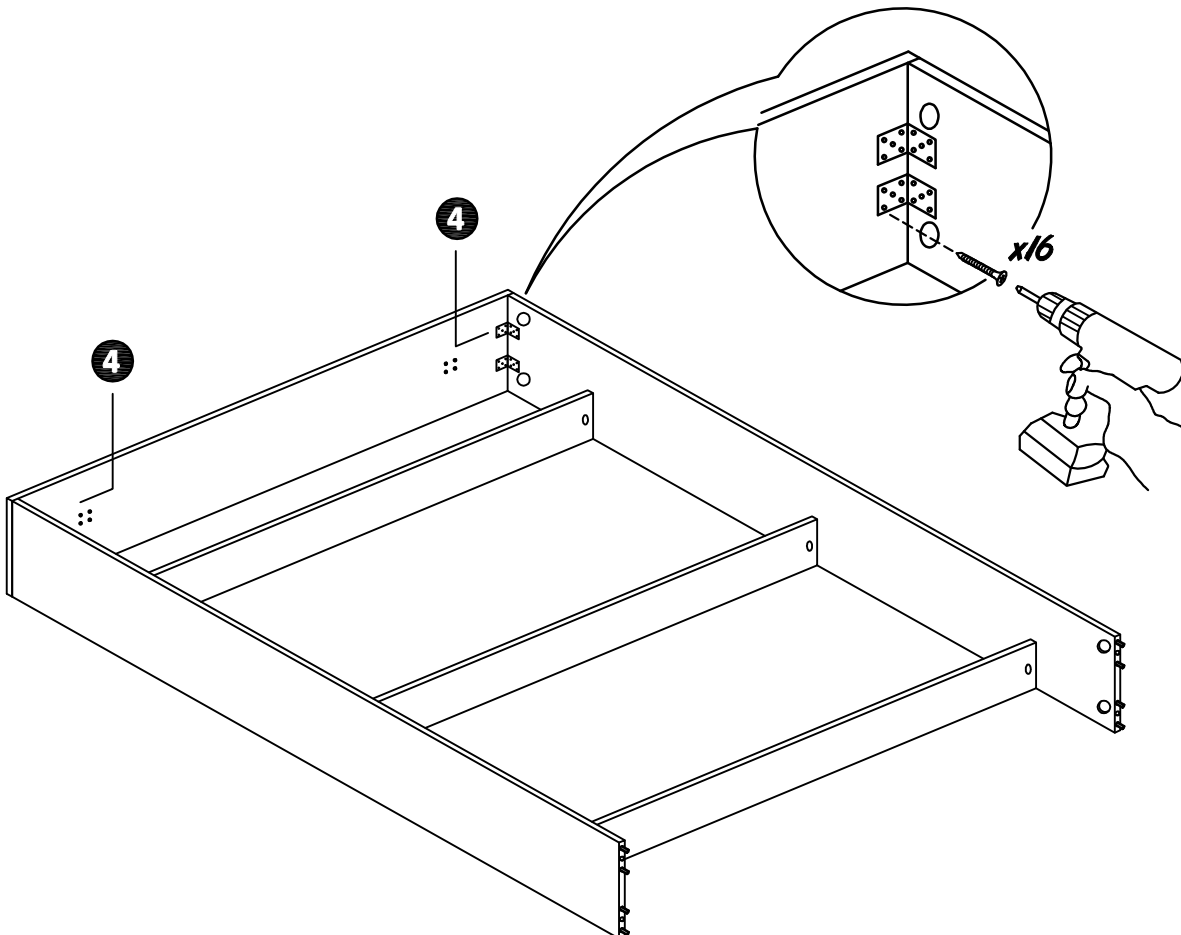
4



5



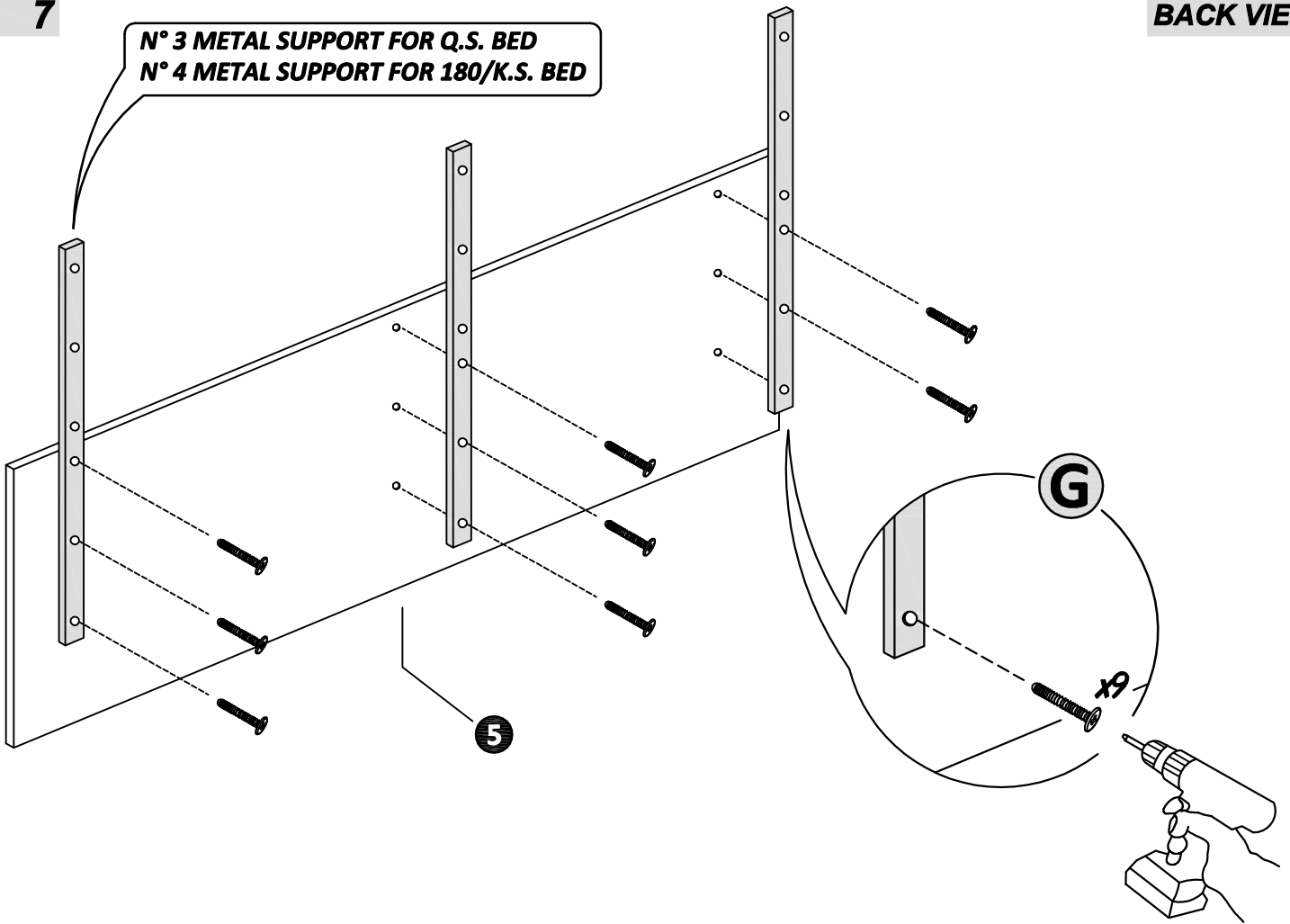
6



7

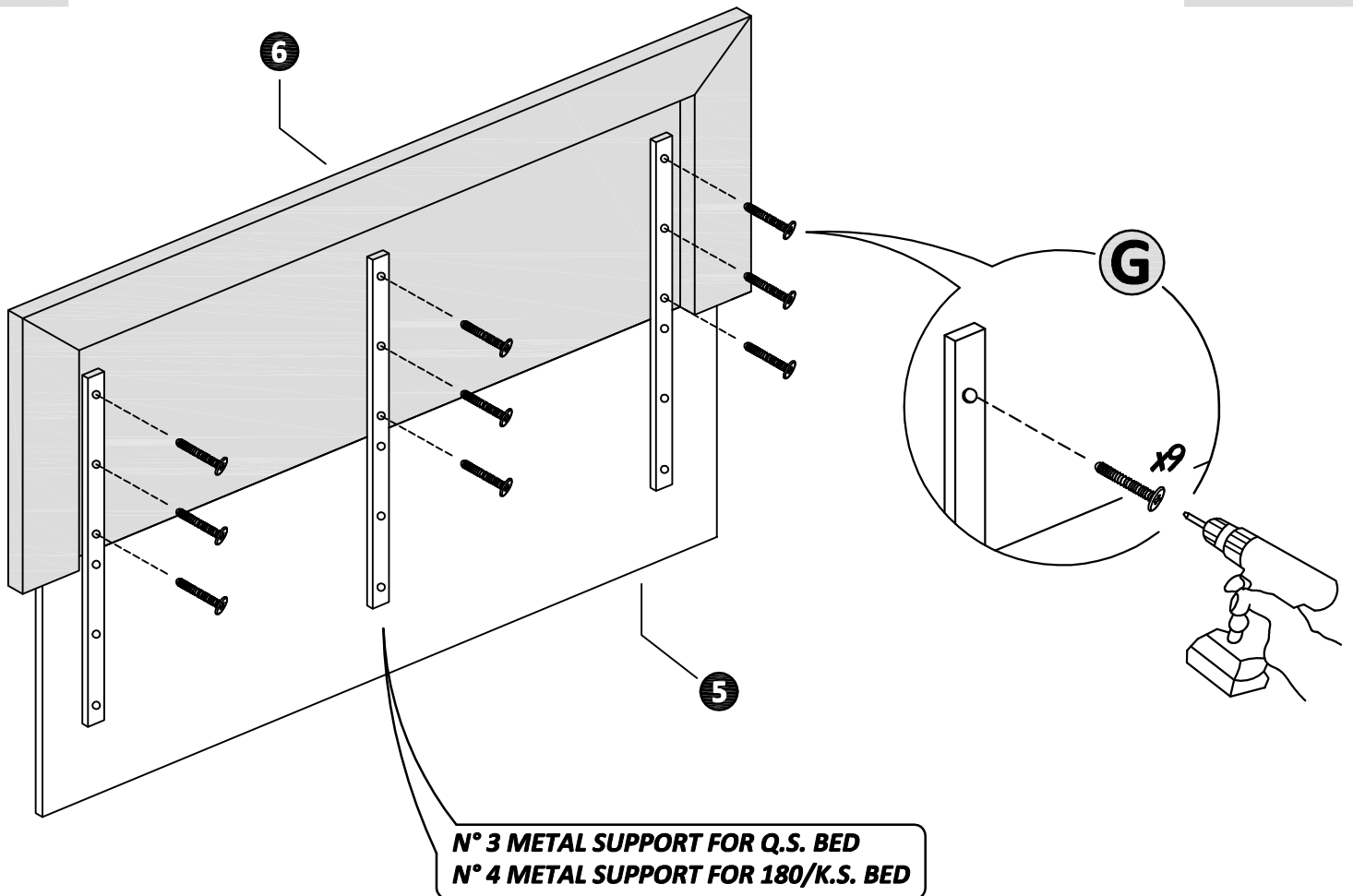
BACK VIEW

N° 3 METAL SUPPORT FOR Q.S. BED
N° 4 METAL SUPPORT FOR 180/K.S. BED

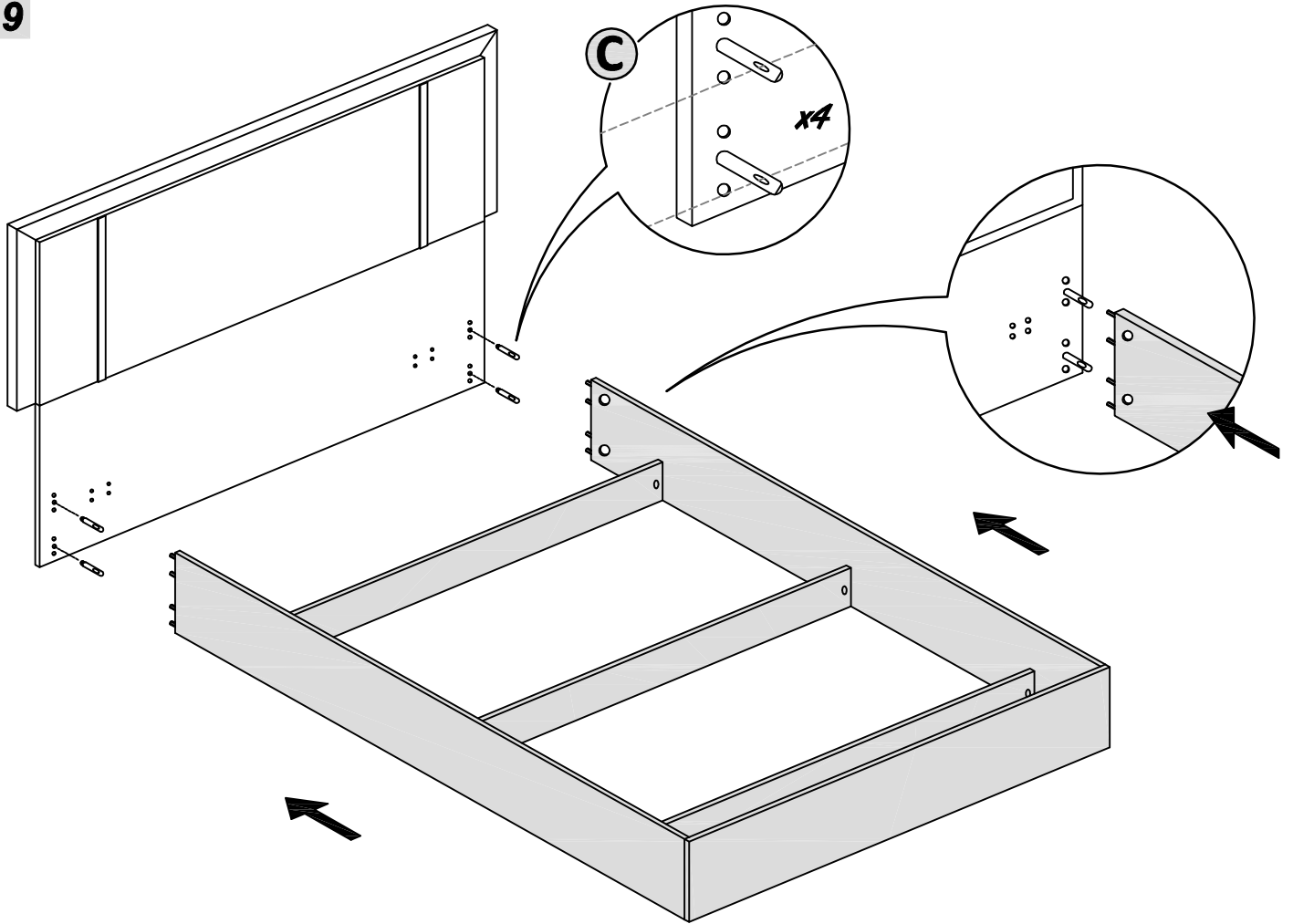


8

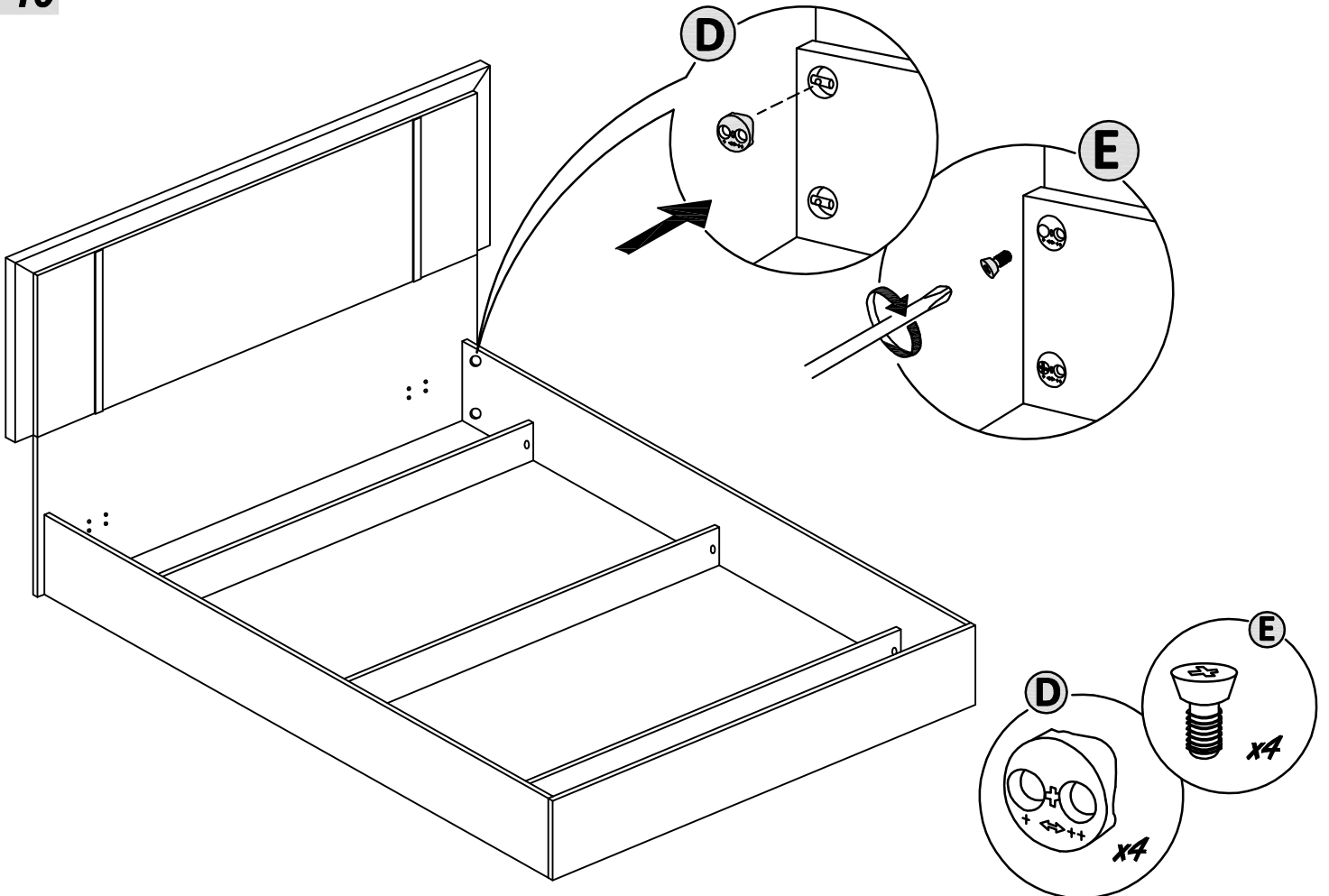
BACK VIEW

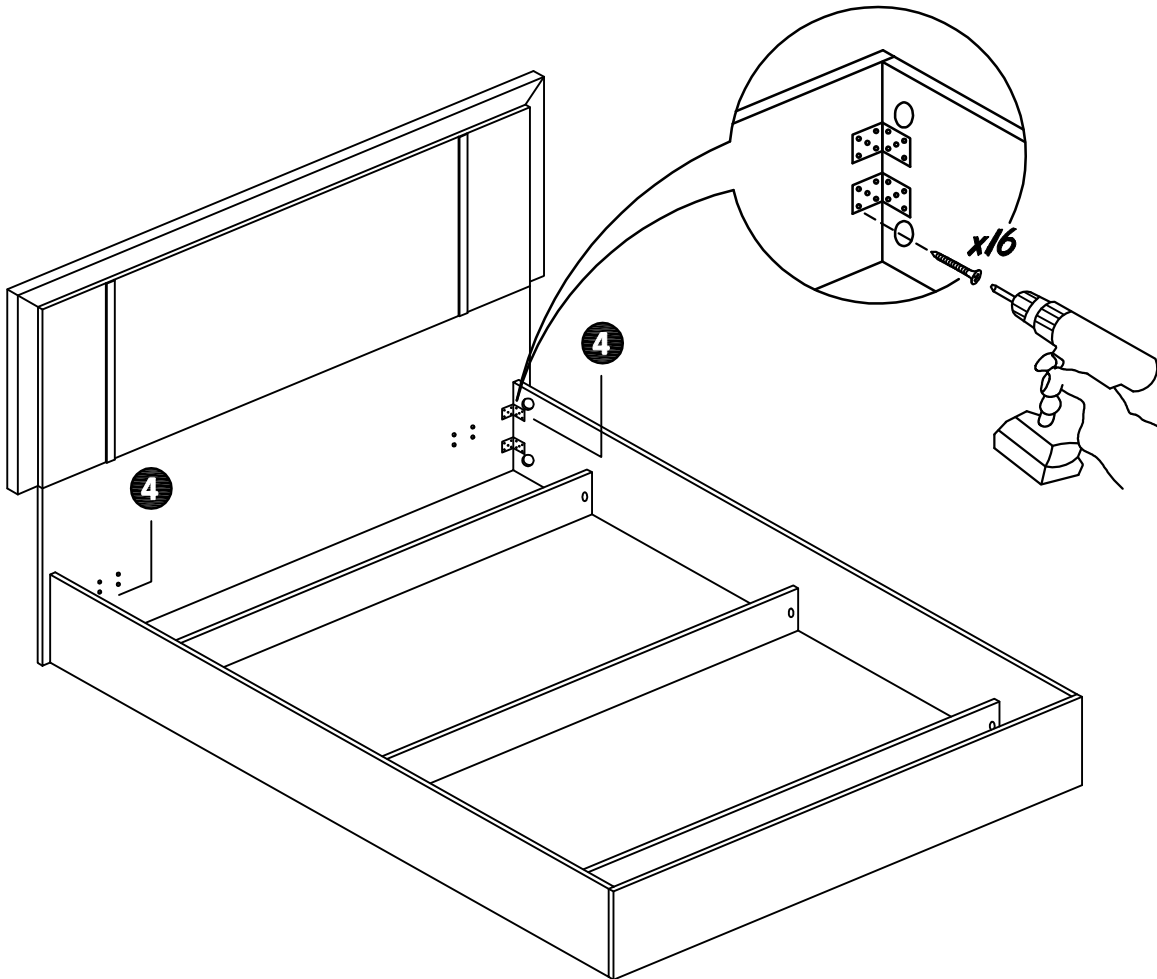
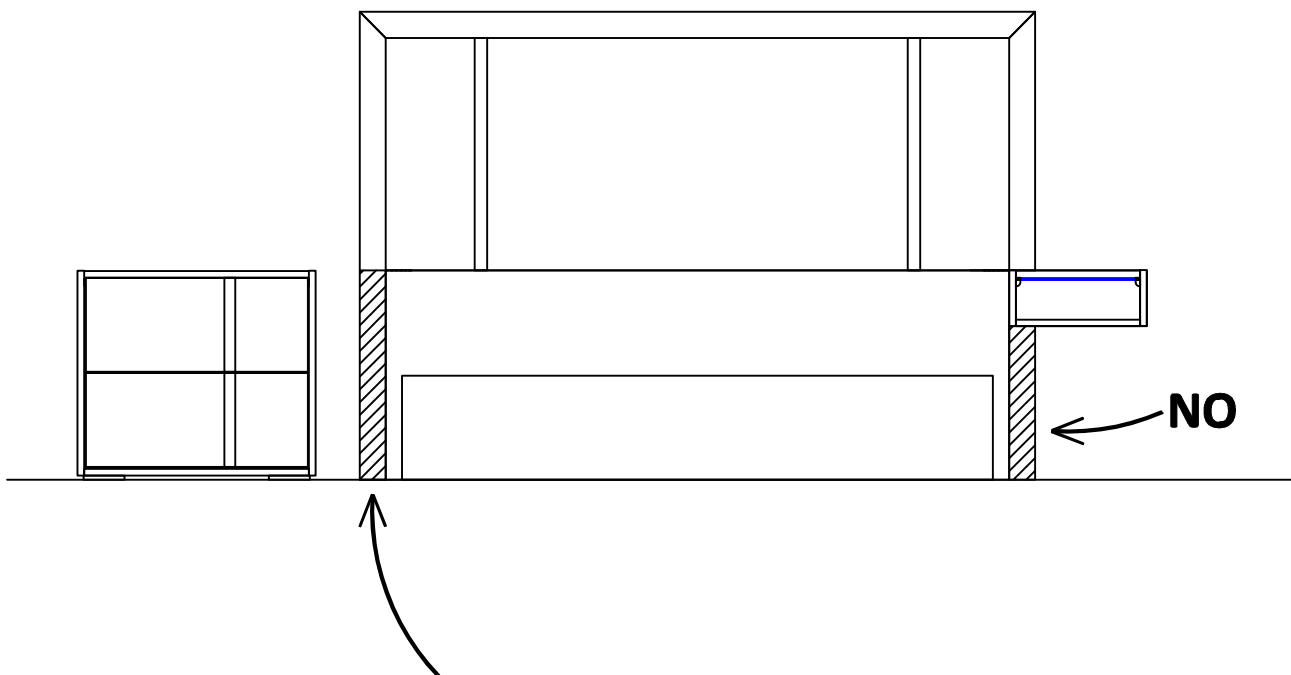


9



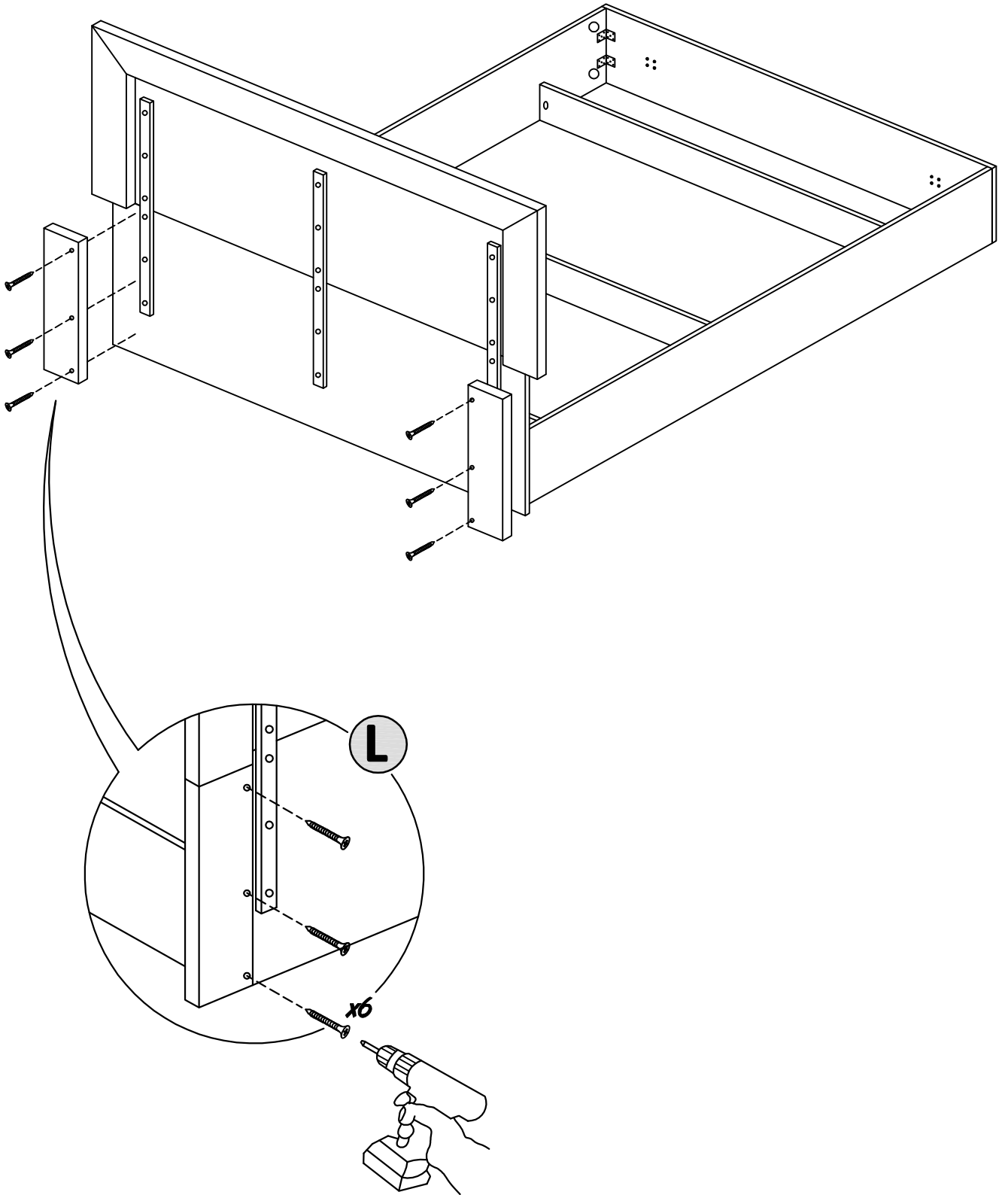
10

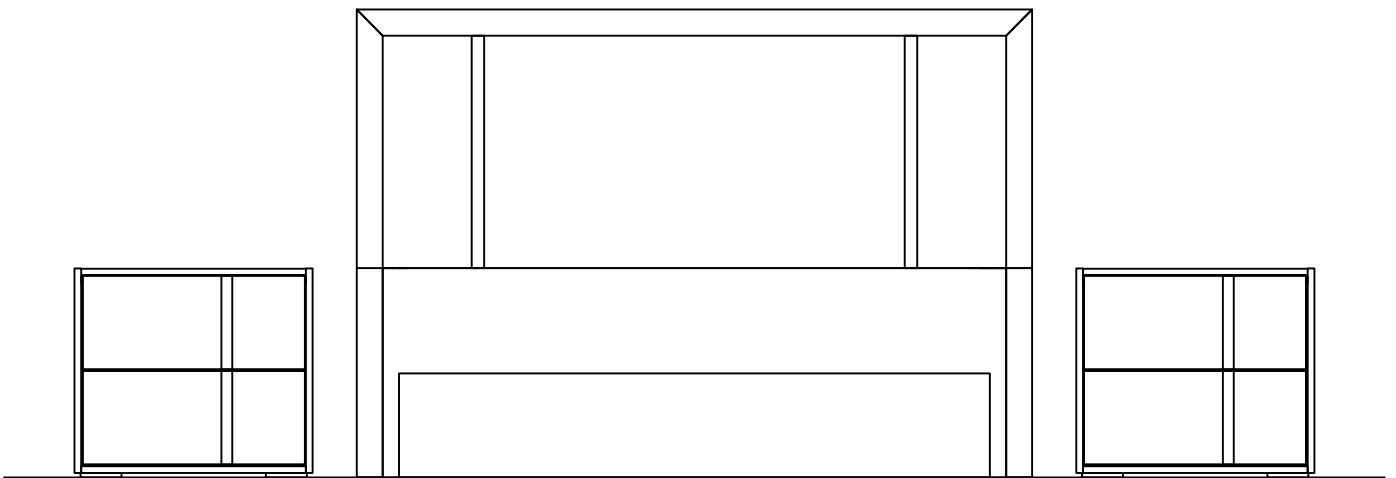
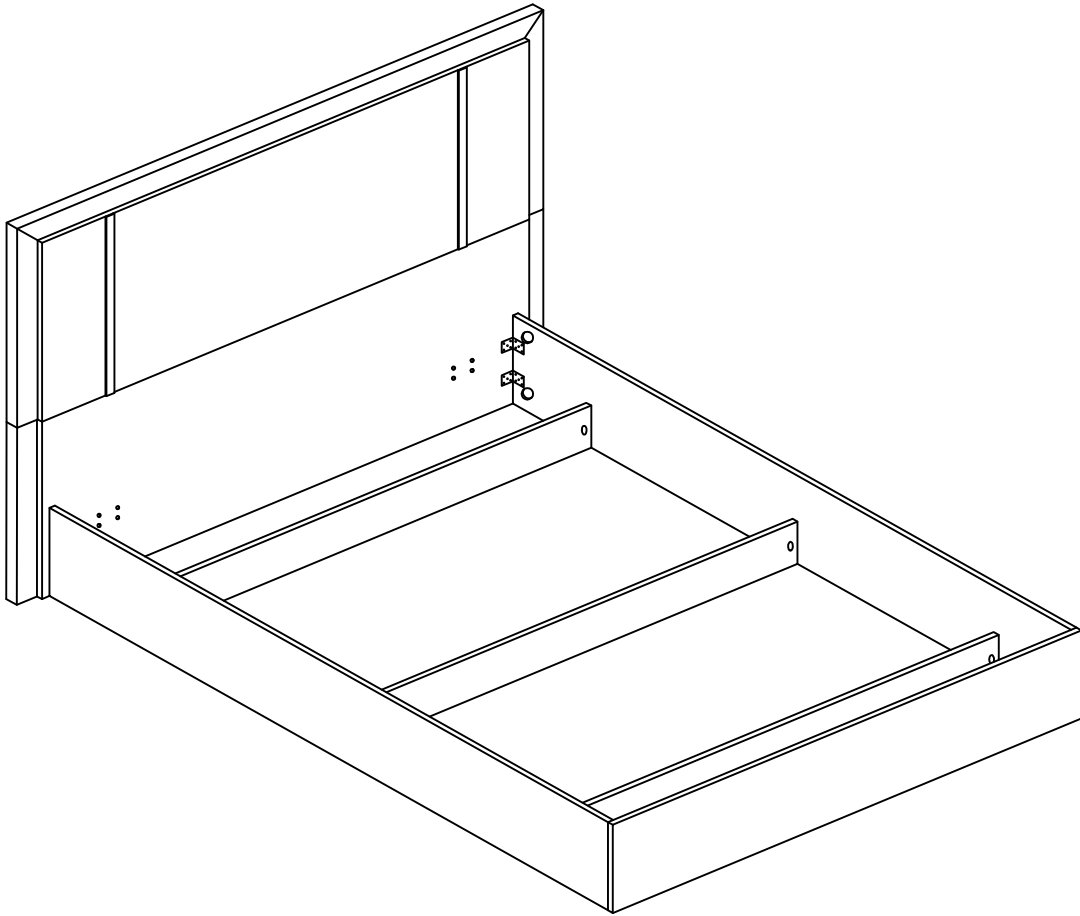


**ATTENTION**

**THE WOODEN TRIM HAS TO BE ASSEMBLED
ONLY WITH STANDARD NIGHT TABLE**

ASSEMBLING WOODEN TRIM








Thank you for choosing our products.



STATUS

Via delle Industrie 6/A - 31018 GAIARINE (TV) - ITALY

 info@statusitaly.it

 + 39 0434 75195
