

1
Assemble the footboard, using the pins, cams and wooden dowels

IMPORTANT
ASSEMBLING THIS
UNIT NEEDS
MINIMUM 2 PEOPLE



DEA

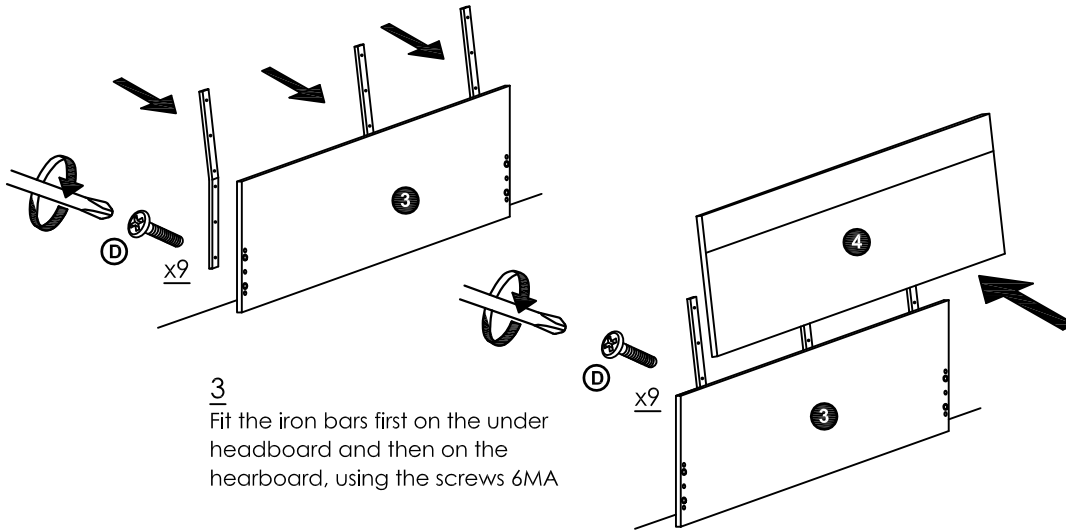
LEGEND

- 1** Footboard
- 2** Side Rails
- 3** Under Headboard
- 4** Headboard

FITTINGS CHECK LIST

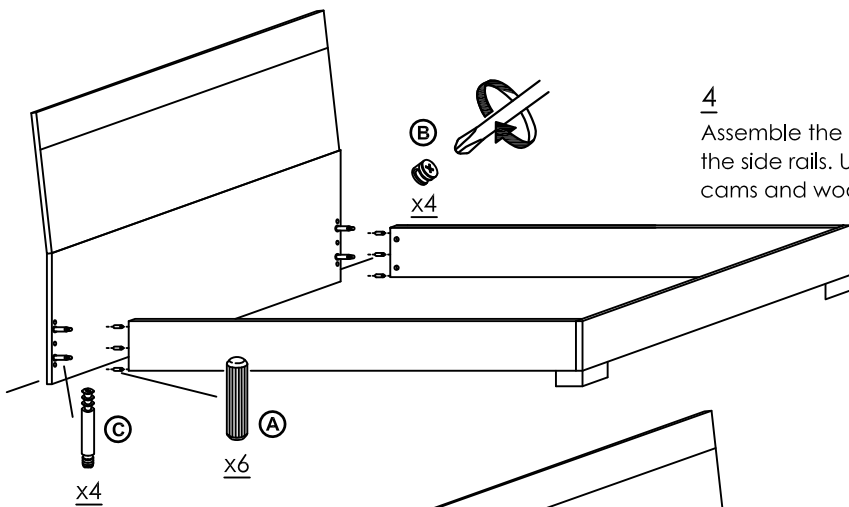
- | | | | |
|------------|--|----------------|------|
| (A) | | Wooden Dowels | x 12 |
| (B) | | Cams | x 8 |
| (C) | | Pins | x 8 |
| (D) | | Screws TBL 6MA | x 18 |
| (E) | | Iron Corners | x 4 |
| (F) | | Screws 4x16 | x 32 |

2
Insert the plastic feet in footboard and side rails



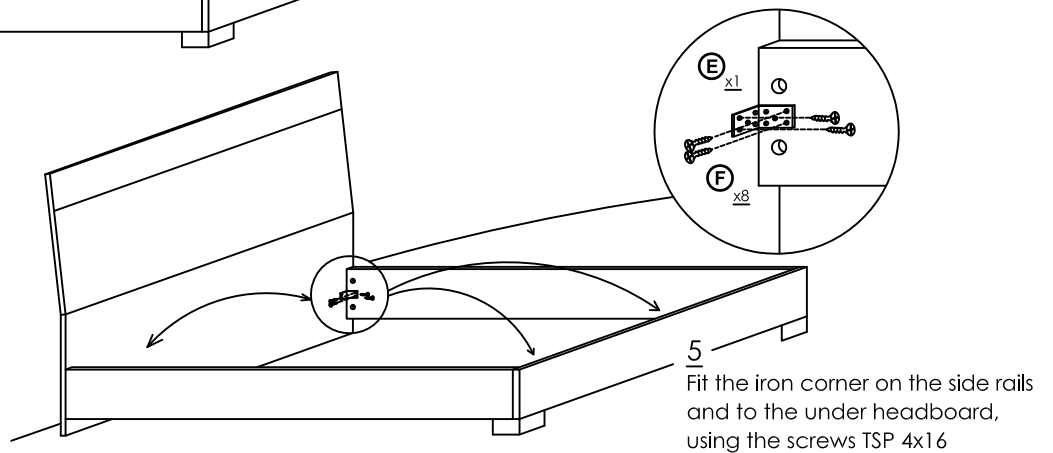
3
Fit the iron bars first on the under headboard and then on the headboard, using the screws 6MA

4
Assemble the headboard to the side rails. Using the pins, cams and wooden dowels



Model	DEA Bedroom
Code	DEBVOLT01 / 02 / 03
Item	Bed

STATUS
Italian status symbol
100% made in Italy



5
Fit the iron corner on the side rails and to the under headboard, using the screws TSP 4x16