







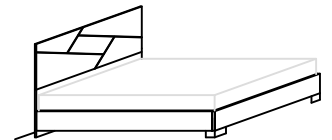
DAFNE

LEGEND

- ① Side Rails
- ② Crosspieces
- ③ Footboard
- ④ Under Headboard
- ⑤ Headboard

FITTINGS CHECK LIST

- (A)  Wooden Dowels x 24
- (B)  Cams x 8
- (C)  Pins x 8
- (D)  Screws TBL 4MA x 6
- (E)  Cams for TBL 4MA x 6
- (F)  Screws TBL 6MA x 18

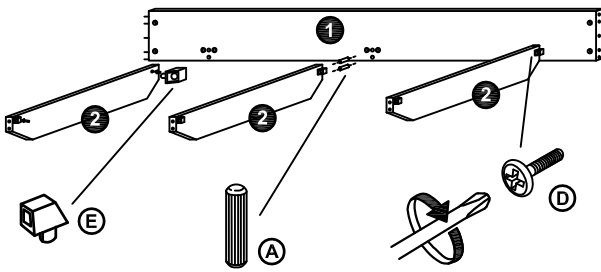


Model	DAFNE Bedroom
Code	DABWH101 / 02 / 03
Item	Bed

STATUS
Italian status symbol

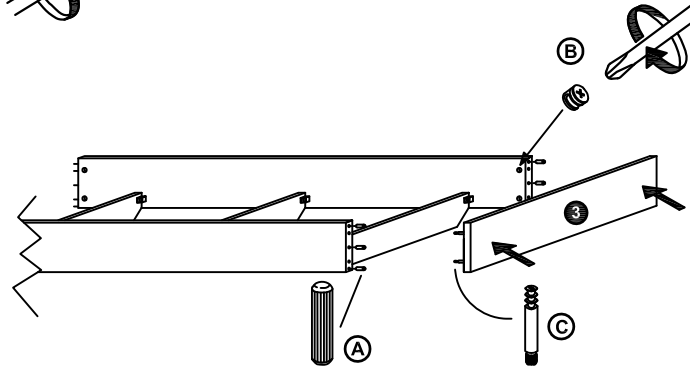
100% made in Italy

IMPORTANT
ASSEMBLING THIS
UNIT NEEDS
MINIMUM 2 PEOPLE

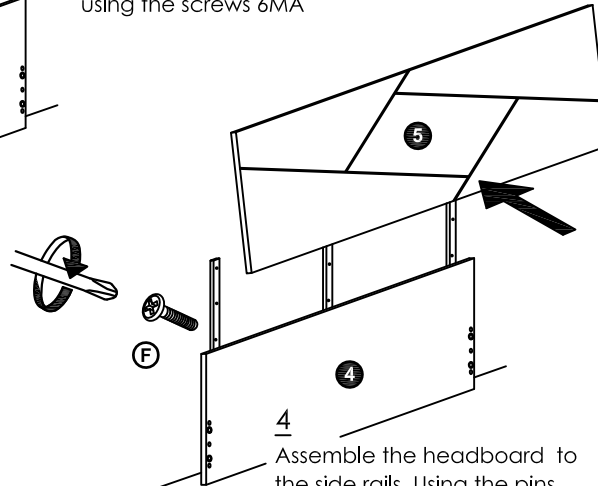
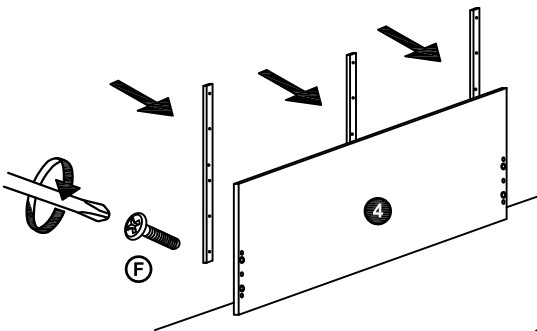


1
Fit the slat supports to the side rail, using the screws 4MA

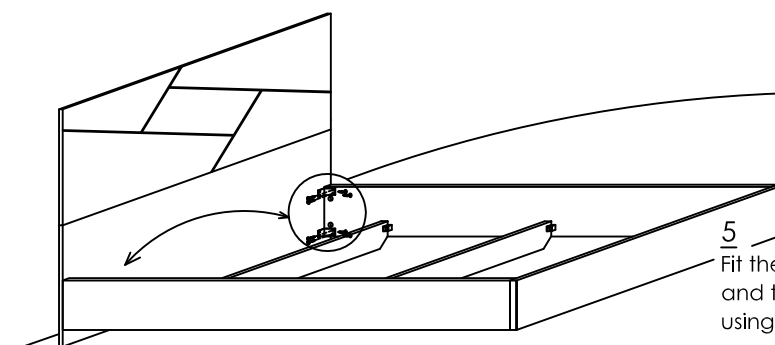
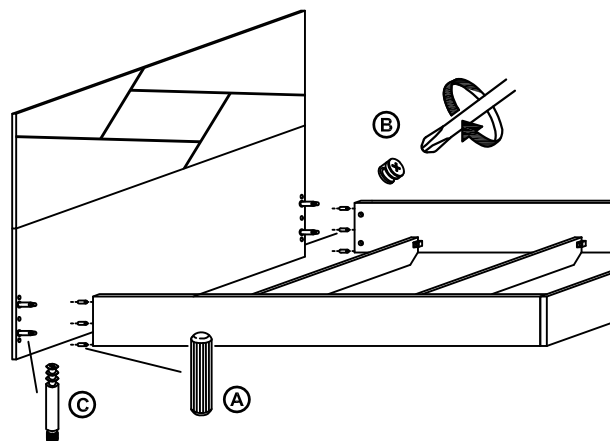
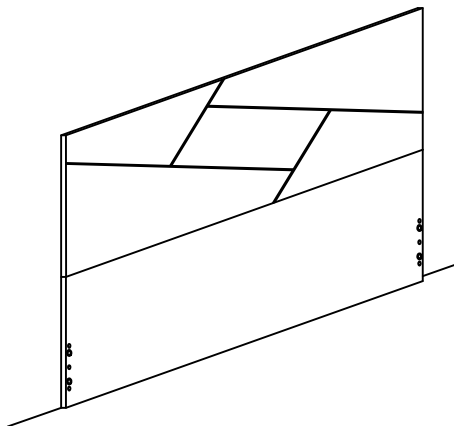
2
Assemble the other side rail on the slat supports and assemble the footboard, using the pins, cams and wooden dowels



3
Fit the iron bars first on the under headboard and then on the headboard, using the screws 6MA



4
Assemble the headboard to the side rails. Using the pins, cams and wooden dowels



5
Fit the iron corner on the side rails and to the under headboard, using the screws TSP 4x20

