

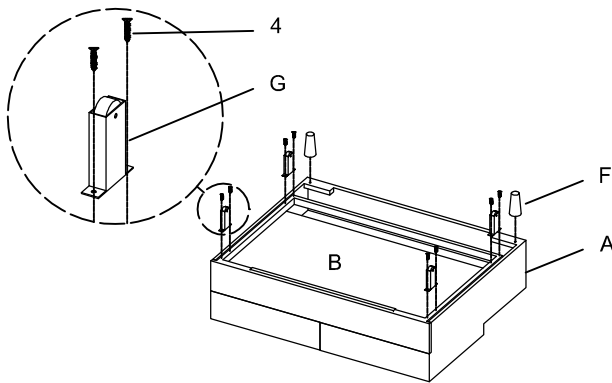


Assembly Instruction

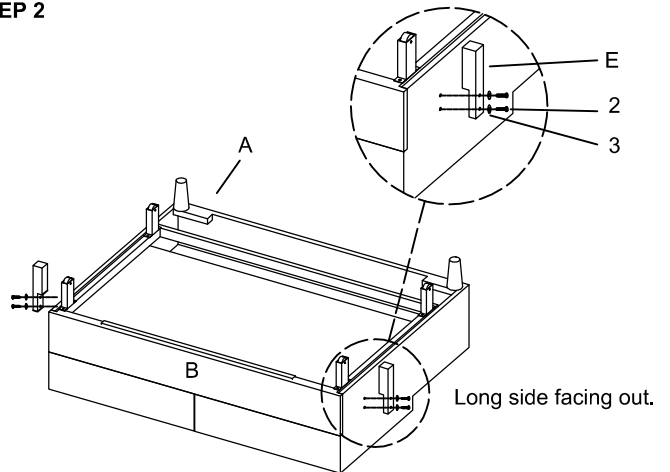
ITEM# : 9403BE/BU/GY-VT 2-Seater with pull-out bed, Reversible

PART LIST				HARDWARE LIST IN -VC			
A	2-SEATER FRAME		1 PC	1	ALLEN KEY		4 x 75 mm 1 PC
B	PULL-OUT BED		1 PC	2	BOLT		1/4" x 1-1/2" 4 PCS
C	2-SEATER BACK FRAME		1 PC	3	FLAT WASHER		6 x 20mm 4 PCS
D	HEADREST		2 PCS	4	WOOD SCREW		8mm x 1" 8 PCS
E	2-SEATER FRONT WOODEN LEGS		2 PCS				
F	2-SEATER REAR PLASTIC LEG		2 PCS				
G	PULL-OUT BED CASTER		4 PCS				

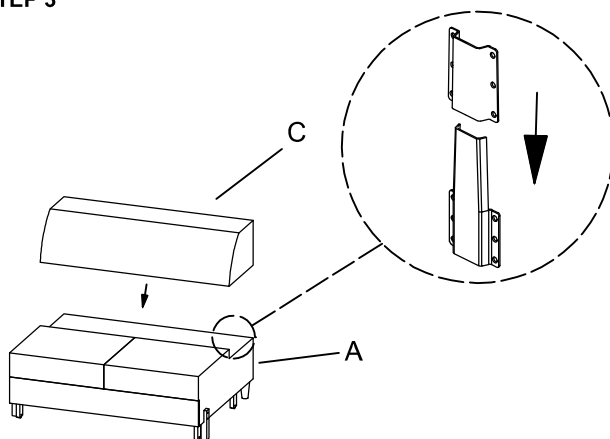
STEP 1



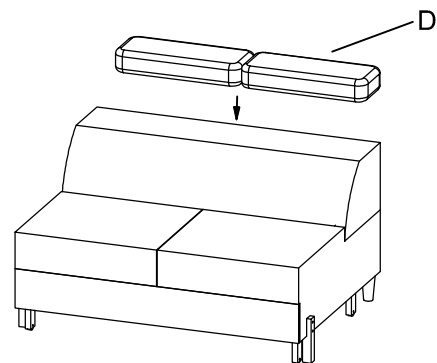
STEP 2



STEP 3



STEP 4



Care instruction for airehyde Furniture:

In order to maintain the original appearance of your airehyde furniture, please follow below simple care proceures:

- Avoid exposing furniture directly to sunlight or heating and air conditioning outlets. Sunlight and or exposure to heating and air conditioning outlets will fade/damage airehyde.
- Vacuum or wipe with a soft cloth to remove dust.

For items use on wooden floor, hard surfaces or carpets, it is recommended to Install protective pads under all legs and supports to avoid/prevent from damages/scratches and discoloration.