

# Assembly Instruction

ITEM NO.:8327GY-1S/TL-1S

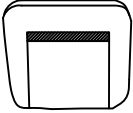
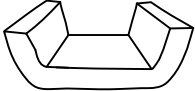
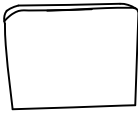
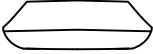
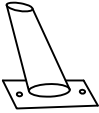

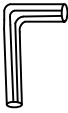

ACCENT CHAIR



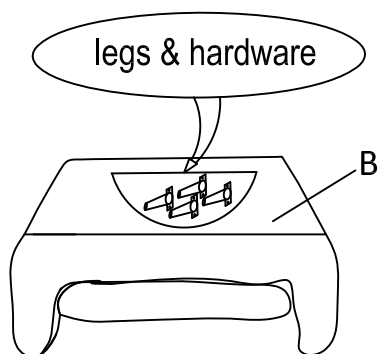
Legs & hardware are stored at the bottom of the unit, please take out the legs and hardware for assembly.

Note: Do not use power tools for assembly. Power tools increase the risk of over tightening which lead to splitting or cracking the wood.

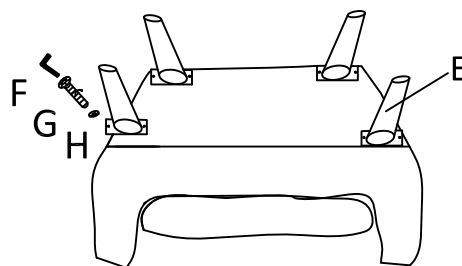
## Component list (Accent chair)

No	Drawing	Qty	Description
A		1	Back rest
B		1	Seat
C		1	Back cushion
D		1	Seat cushion
E		4	Wooden Leg
F		8	Bolt
G		1	Allen key
H		8	Washer

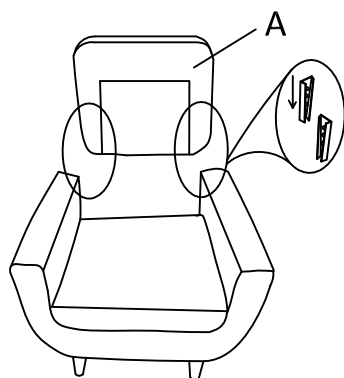
Step #1 Please flip over the seat and take out legs & hardware for assembly.



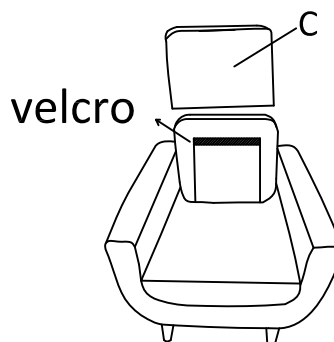
Step #2 Align the legs to the pre-drilled holes, insert the bolts then tighten with Allen key.



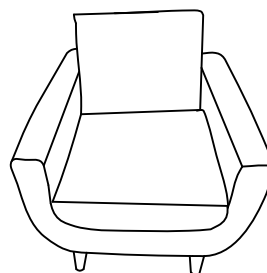
Step #3 Align the back rest to the seat. Insert the brackets onto the seat. Push to the end and make sure it is fixed securely.



Step #4 Attach the back cushion onto the back rest and fix with velcro properly.



Step #5 Accent chair assembly is completed.



## Care Instruction for Fabric Furniture:

In order to maintain the original appearance of your Fabric Furniture, please follow below simple care procedures:

- Avoid exposing furniture directly to sunlight or heating and air conditioning outlets. Sunlight and or exposure to heating and air conditioning outlets will fade/damage Fabric.
- Vacuum or wipe with a soft cloth to remove dust.
- Clean Fabric with professional cleanser.



For items use on wooden floor, hard surfaces or carpets, it is recommended to Install protective pads under all legs and supports to avoid/prevent from damages/scratches and discoloration.