


ASSEMBLY INSTRUCTION





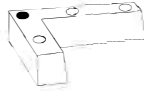



ITEM NO.: 9808SGY-L
(1/2)Left Side 2-Seater with Pull-Out Bed

ITEM NO.: 9808SGY-R
(2/2)Right Side Chaise with Hidden Storage

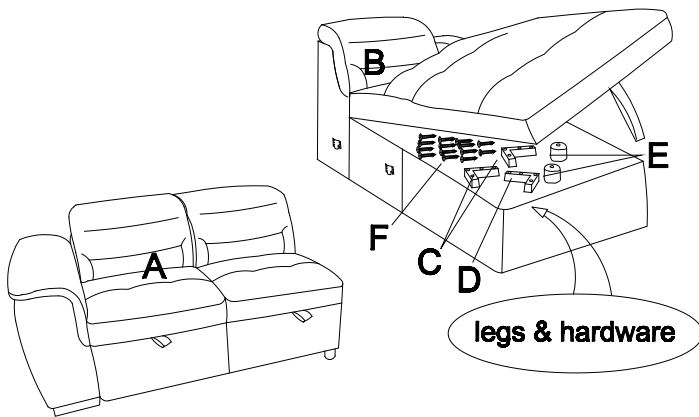
 Legs and hardware are stored in the RSF chaise, please take out for assembly.

NOTE: Do not use power tools for assembly. Power tools increase the risk of over tightening which lead to splitting or cracking the wood.

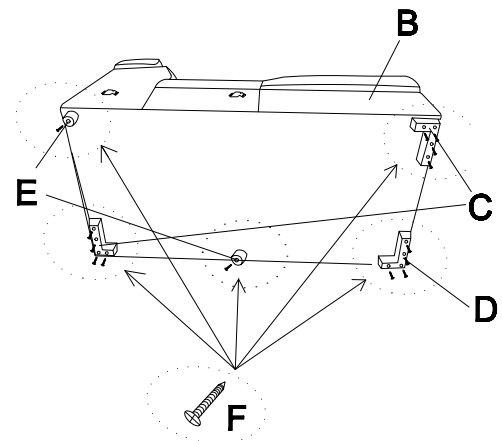
COMPONENT LIST

NO.	DRAWING	QTY	DESCRIPTION
A		1	LSF 2-Seater (Pre-assembled Legs)
B		1	RSF Chaise
C		2	Plastic Leg 7-7/8"*3-15/16"*1-15/16"
D		1	Plastic Leg 7-7/8"*3-15/16"*1-15/16"
E		2	Plastic Support Legs 1-15/16"*φ1-7/8"
F		14	Screw M5*50MM

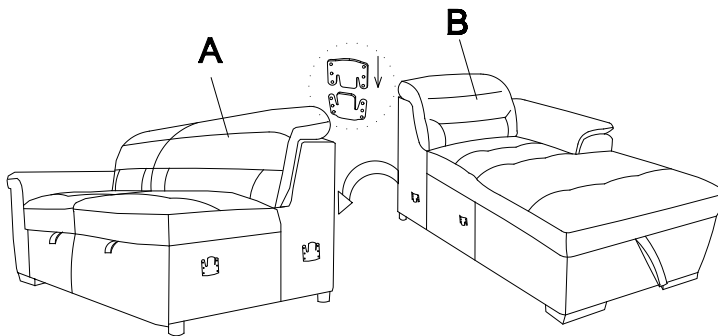
STEP 1



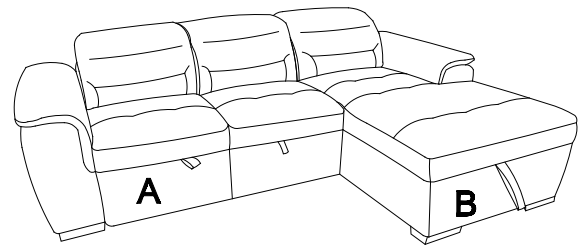
STEP 2



STEP 3



STEP 4



Care instruction for fabric furniture.

In order to maintain the original appearance of your fabric furniture, please follow below simple care procedures:

- Avoid exposing furniture directly to sunlight or heating and air conditioning outlets. Sunlight and or exposure to heating and air conditioning outlets will fade/damage fabric.
- Do not place your upholstered furniture too close to windows, radiators, or vents, and be sure to use windows, radiators, or vents.
- Vacuum or wipe with a cloth regularly to remove dust.



For items used on wooden floor, hard surfaces or carpets, it is recommended to install protective pads under all legs and supports to avoid/prevent from damages/scratches discoloration.