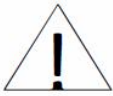




# Assembly Instruction

ITEM NO.: 9808BUE-L/R

(1/2)Left Side 2-Seater with Adjustable Headrests and Pull-out Bed  
 (2/2)Right Side Chaise with Adjustable Headrest and Hidden Storage



Legs & hardware are stored in the RSF chaise, please take out the legs and hardware for assembly.

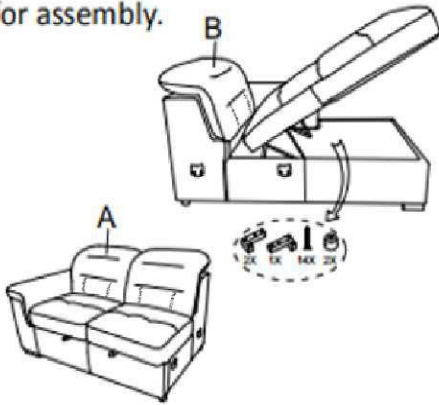
**Note:** Do not use power tools for assembly. Power tools increase the risk of over tightening which lead to splitting or cracking the wood.

## Component list

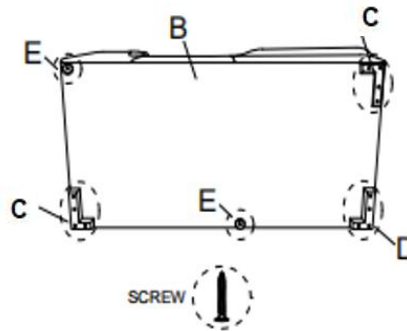
No	Drawing	Qty	Description
A		1	LSF 2 SEATER (PRE-ASSEMBLED LEGS)
B		1	RSF CHAISE
C		2	RSF CHAISE-LSF/RSF LEG
D		1	RSF CHAISE-RSF LEG
E		2	RSF CHAISE- MIDDLE SUPPORT LEG
F		14	BOLT M5*50mm

Please follow the drawings below to assemble the item.

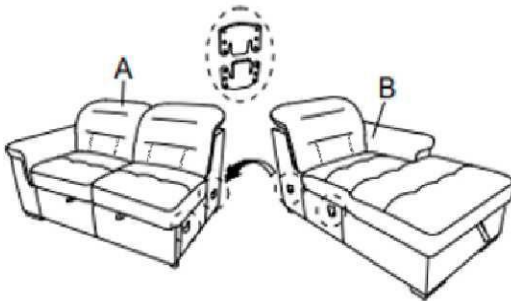
Step #1 Legs & hardware are stored in chaise storage, please take out for assembly.



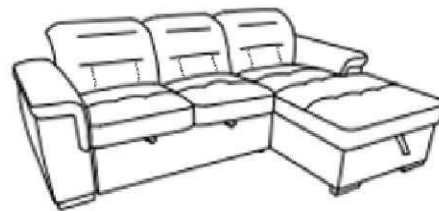
Step #2 Align and attach legs to pre-drilled hole, insert screws and tighten with screwdriver.



Step #3 Connect 2 seater and chaise with pre-assembled metal brackets.



Step #4 Sofa assembly is completed.



## Care Instruction for Furniture:

In order to maintain the original appearance of your furniture, please follow below simple care procedures:

- Avoid exposing furniture directly to sunlight or heating and air conditioning outlets. Sunlight and or exposure to heating and air conditioning outlets will fade/damage.
- Vacuum or wipe with a soft cloth to remove dust.



For items use on wooden floor, hard surfaces or carpets, it is recommended to Install protective pads under all legs and supports to avoid/prevent from damages/scratches and discoloration.