



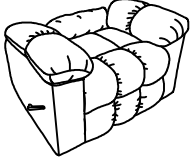


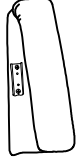
# ASSEMBLY INSTRUCTION

**ITEM NO: 9726BUxLGxBRxDG-1**

## ROCKER RECLINING CHAIR

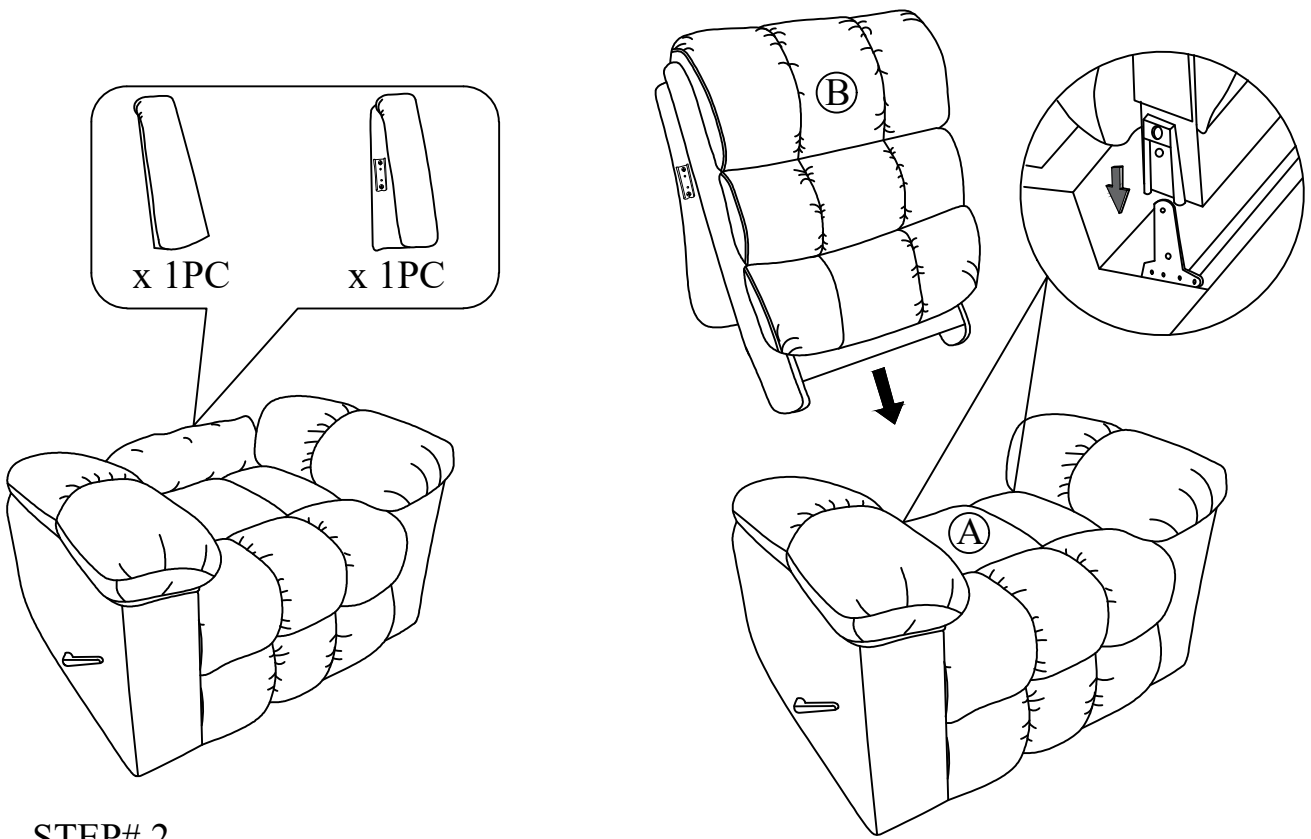
**NOTE: Do not use power tools for assembly. Power tools increase the risk of over tightening which leads to splitting or cracking the wood.**

### COMPONENT LIST (CHAIR)

NO.	DRAWING	QTY	DESCRIPTION
A		1	CHAIR BASE
B		1	BACK REST
C		1	LSF EAR
D		1	RSF EAR

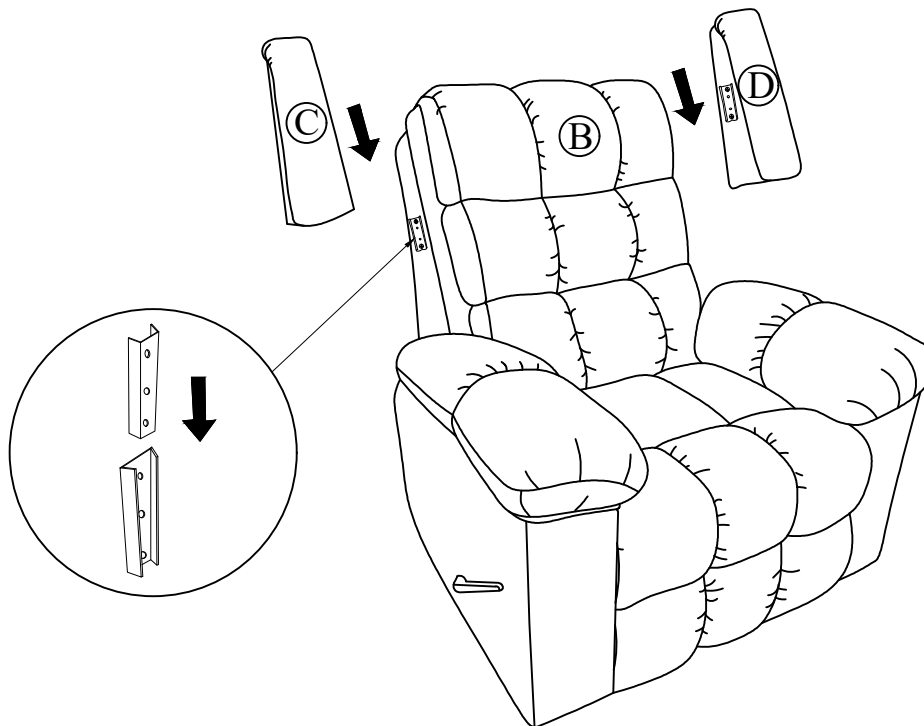
**STEP# 1**

Put the Back rest (B) to the Chair base (A).

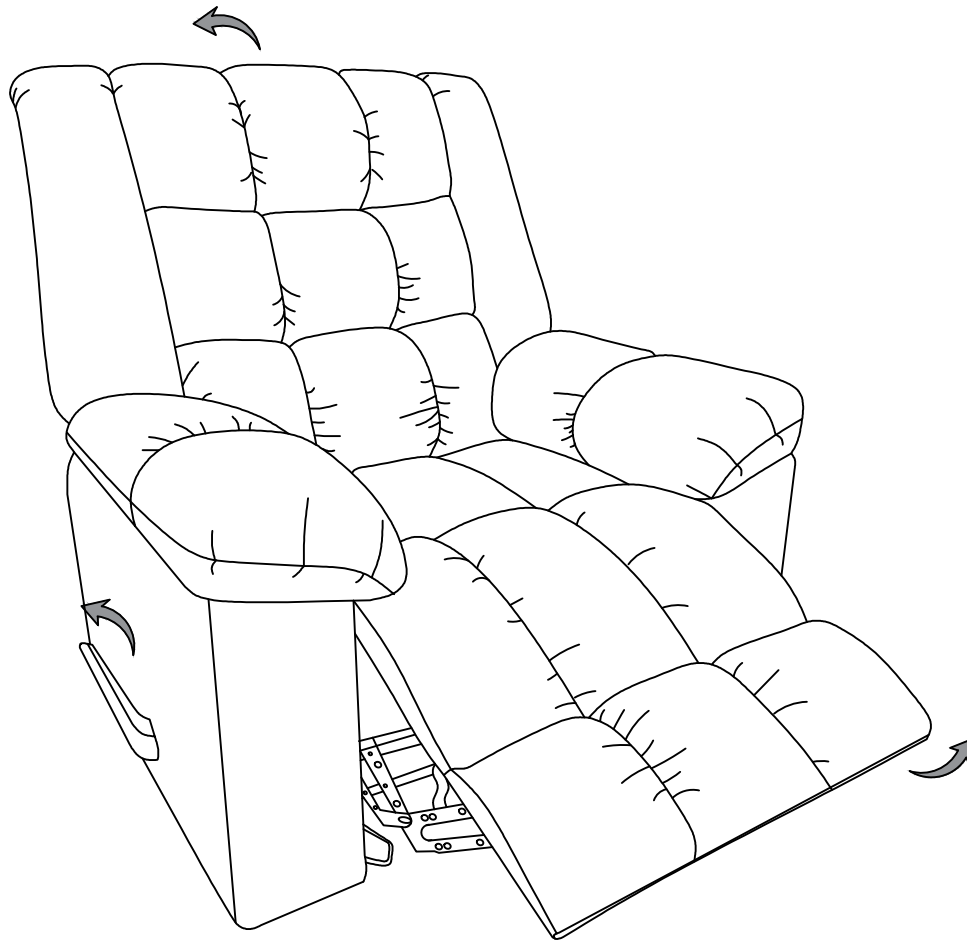


**STEP# 2**

Put the LSF EAR (C) & RSF EAR (D) to the Back rest (B).



COMPLETED



### **Care Instruction for Chenille Furniture.**

In order to maintain the original appearance of your Chenille furniture, please follow below simple care procedures:

- Avoid exposing furniture directly to sunlight or heating and air conditioning outlets. Sunlight and/or exposure to heating and air conditioning outlets will fade/damage Chenille.
- Do not place your Chenille furniture too close to windows , radiators, or vents.
- Vacuum or wipe with a soft brush to remove dust.
- Hardware may loosen over time. Periodically check to make sure all connection are tight, Re-tighten if necessary.



**For items use on wooden floor, hard surfaces or carpets, it is recommended to install protective pads under all legs and supports to avoid/prevent from damages/scratches and discoloration.**