

Assembly Instruction

ITEM NO.: 9703GY-2

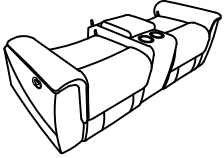





Double Reclining Love Seat with
Center Console



The Ears are stored at the bottom , please take out it for assembly .

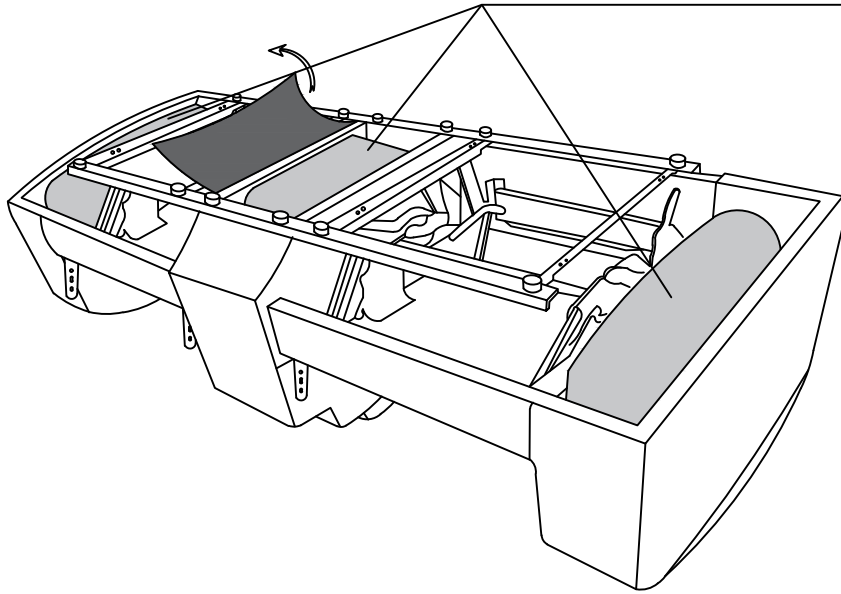
Note: Do not use power tools for assembly. Power tools increase the risk of over tightening which lead to splitting or cracking the wood.

Component list

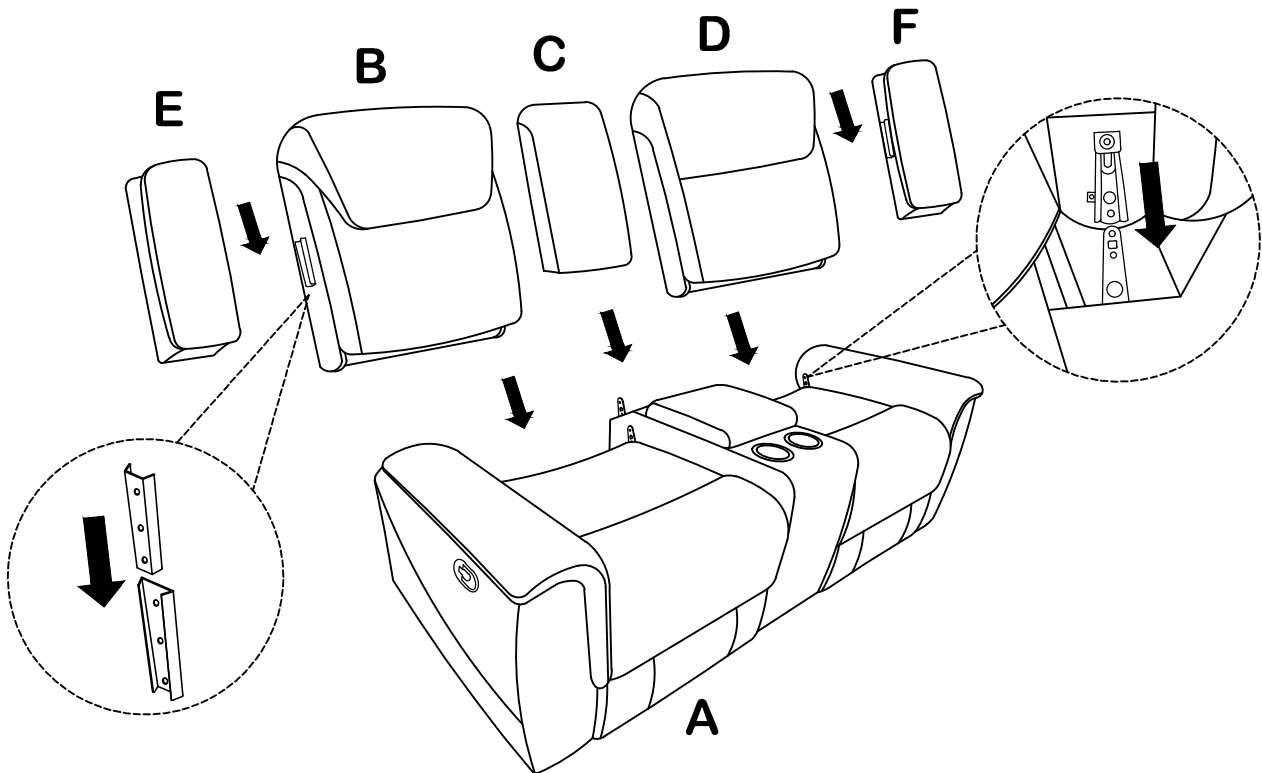
No	Drawing	Qty	Description
A		1	SEAT
B		1	LSF BACK REST
C		1	CONSOLE BACK REST
D		1	RSF BACK REST
E		1	LSF EAR
F		1	RSF EAR

Step #1

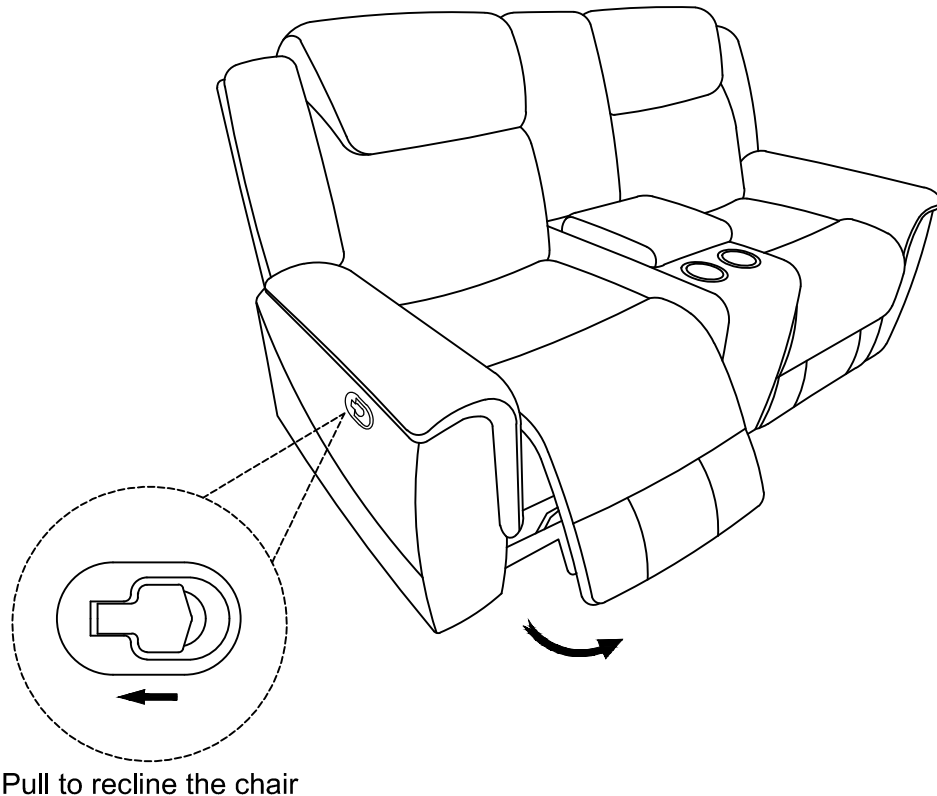
**EARS AND CONSOLE BACKREST
ARE STORED UNDER METAL FRAME**



Step #2



Step #3



Care Instruction for Chenille and Microfiber Fabric Furniture:

In order to maintain the original appearance of your Chenille and Microfiber Fabric Furniture, please follow below simple care procedures:

- Avoid exposing furniture directly to sunlight or heating and air conditioning outlets. Sunlight and or exposure to heating and air conditioning outlets will fade/damage Chenille and Microfiber Fabric.
- Vacuum or wipe with a soft cloth to remove dust.
- Hardware may loosen over time. Periodically check to make sure all connection are tight, Re-tighten if necessary.



For items use on wooden floor, hard surfaces or carpets, it is recommended to Install protective pads under all legs and supports to avoid/prevent from damages/scratches and discoloration.