



Assembly Instruction

DOUBLE GLIDER RECLINING LOVE SEAT WITH CONSOLE

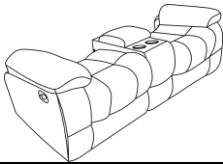





ITEM NO.: 9636-2/9636CC-2



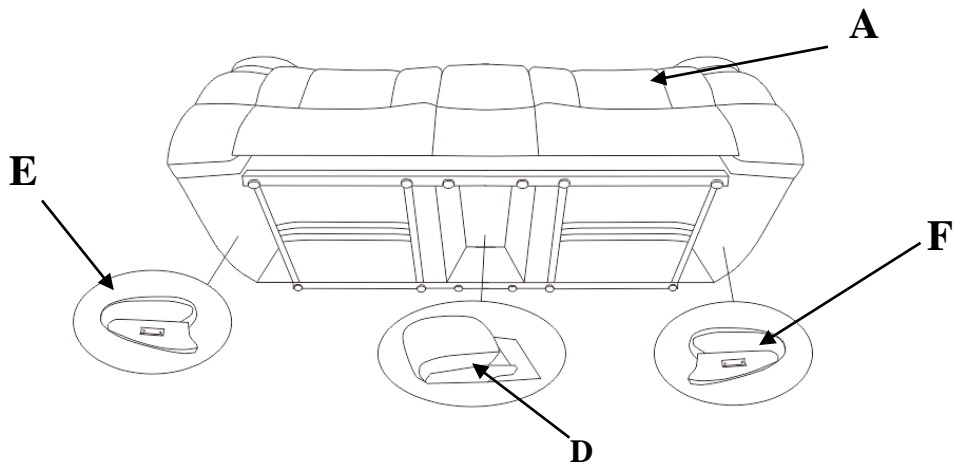
The parts stored in the bottom of the sofa, please take out for assembly

NOTE: Do not use power tools for assembly. Power tools increase the risk of over tightening which leads to splitting or cracking the wood.

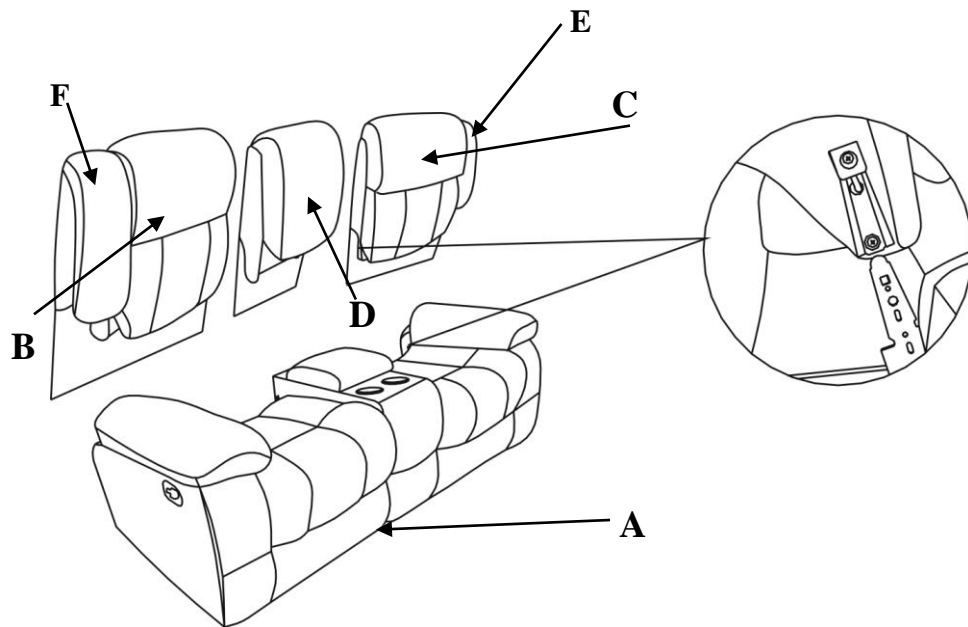
COMPONENT LIST (LOVE SEAT)

NO.	DRAWING	QTY	DESCRIPTION
A		1	SEAT
B		1	LEFT BACK REST
C		1	RIGHT BACK REST
D		1	CONSOLE BACK REST
E		1	LEFT EAR
F		1	RIGHT EAR

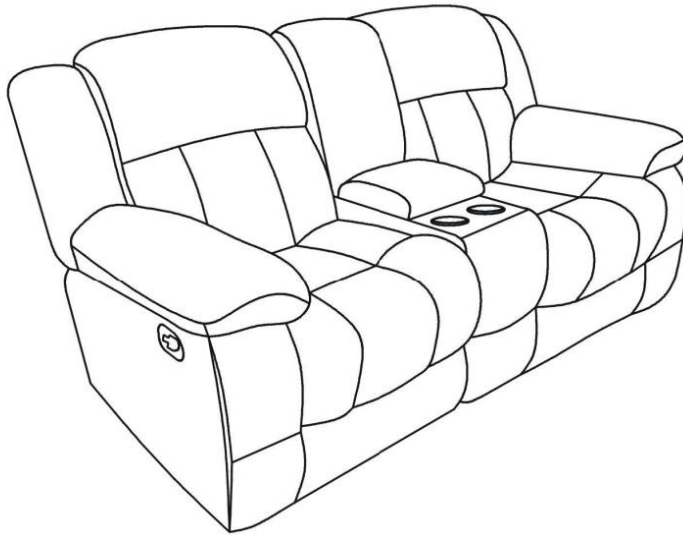
STEP# 1



STEP# 2



STEP# 4



Care Instruction for Fabric Furniture.

In order to maintain the original appearance of your fabric furniture, please follow below simple care procedures:

- Avoid exposing furniture directly to sunlight or heating and air conditioning outlets. Sunlight and/or exposure to heating and air conditioning outlets will fade/damage fabrics.
- Vacuum or wipe with a soft brush to remove dust.



For items use on wooden floor, hard surfaces or carpets, it is recommended to install protective pads under all legs and supports to avoid/prevent from damages/scratches and discoloration.