

Assembly Instruction

ITEM NO.: 9623GY/9623BE-2L

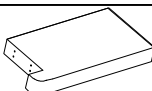
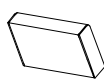
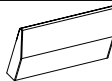
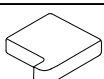
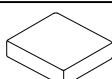




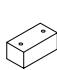


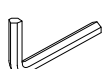
(1/4)Left Side 2-seater



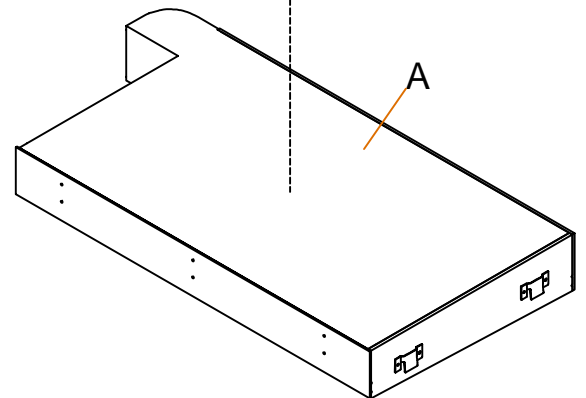
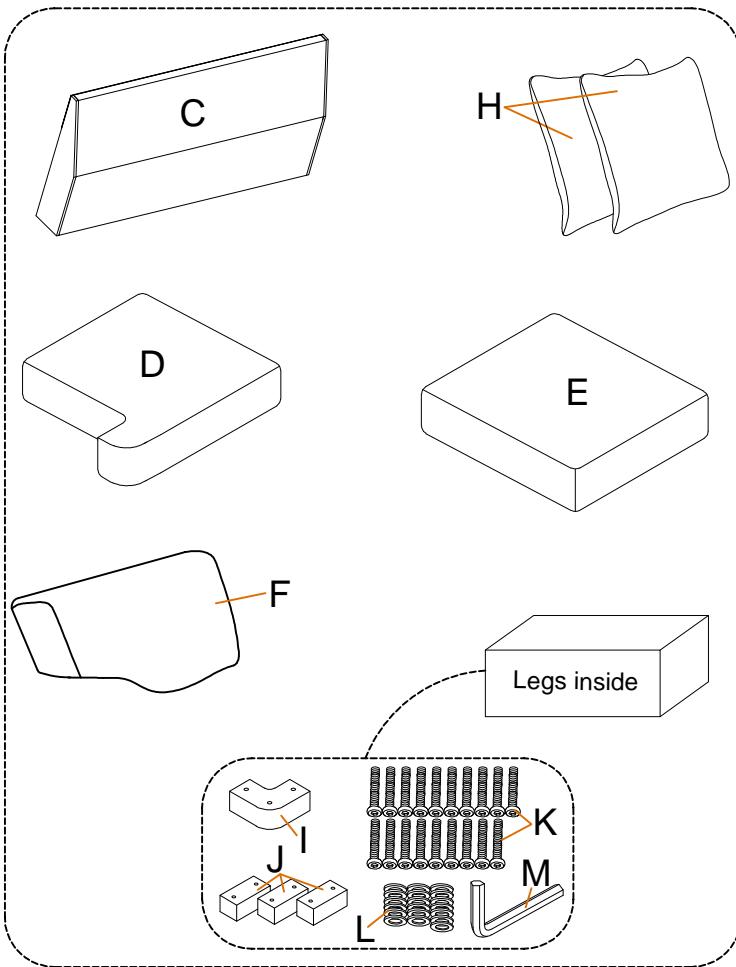
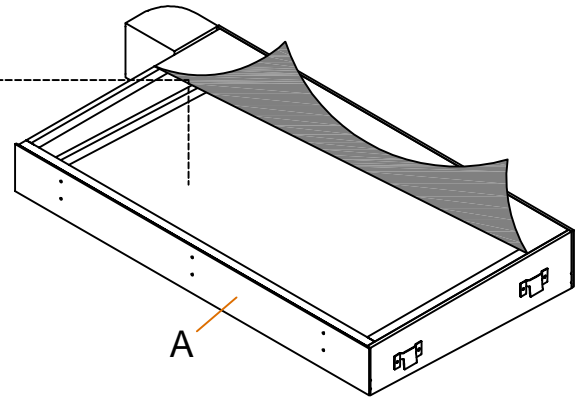
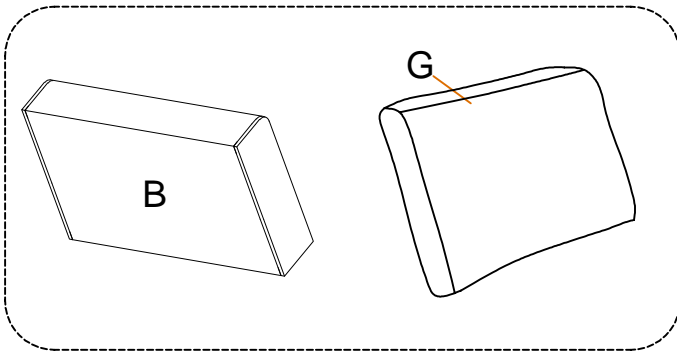
Legs & hardware are stored in the box, please take out the legs and hardware for assembly.

Note: Do not use power tools for assembly. Power tools increase the risk of over tightening which lead to splitting or cracking the wood.

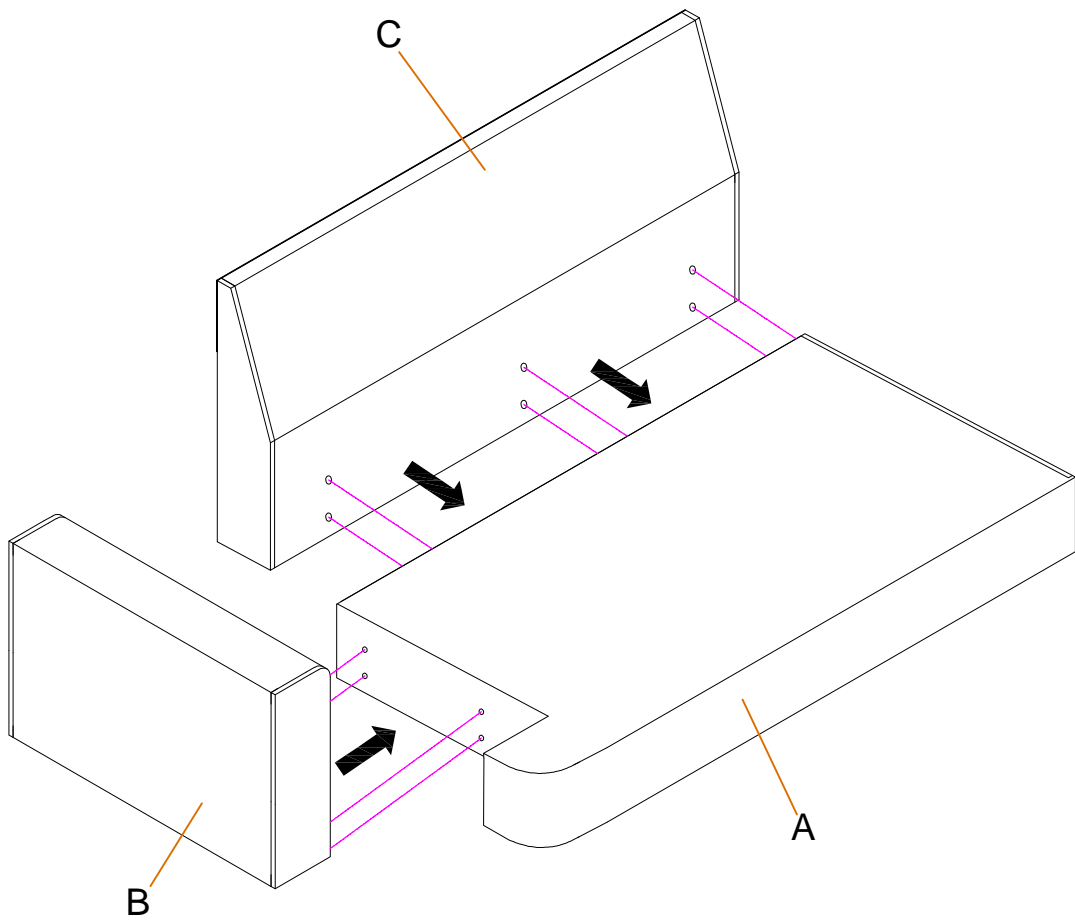
Chair Component list

No	Drawing	Qty	Description
A		1	SEAT BASE
B		1	ARMREST
C		1	BACKREST
D		1	LSF SEAT CUSHION
E		1	RSF SEAT CUSHION
F		1	LSF BACK CUSHION
G		1	RSF BACK CUSHION
H		2	PILLOW (17"*17")
I		1	WOODEN LEG (120*120*50mm)
J		3	WOODEN LEGS (120*50*50mm)
K		19	ALLEN BOLT (5/16"*70mm)
L		19	FLAT WASHER (1/4"*Ø19*1.5mm)
M		1	ALLEN KEY (M4*59mm)

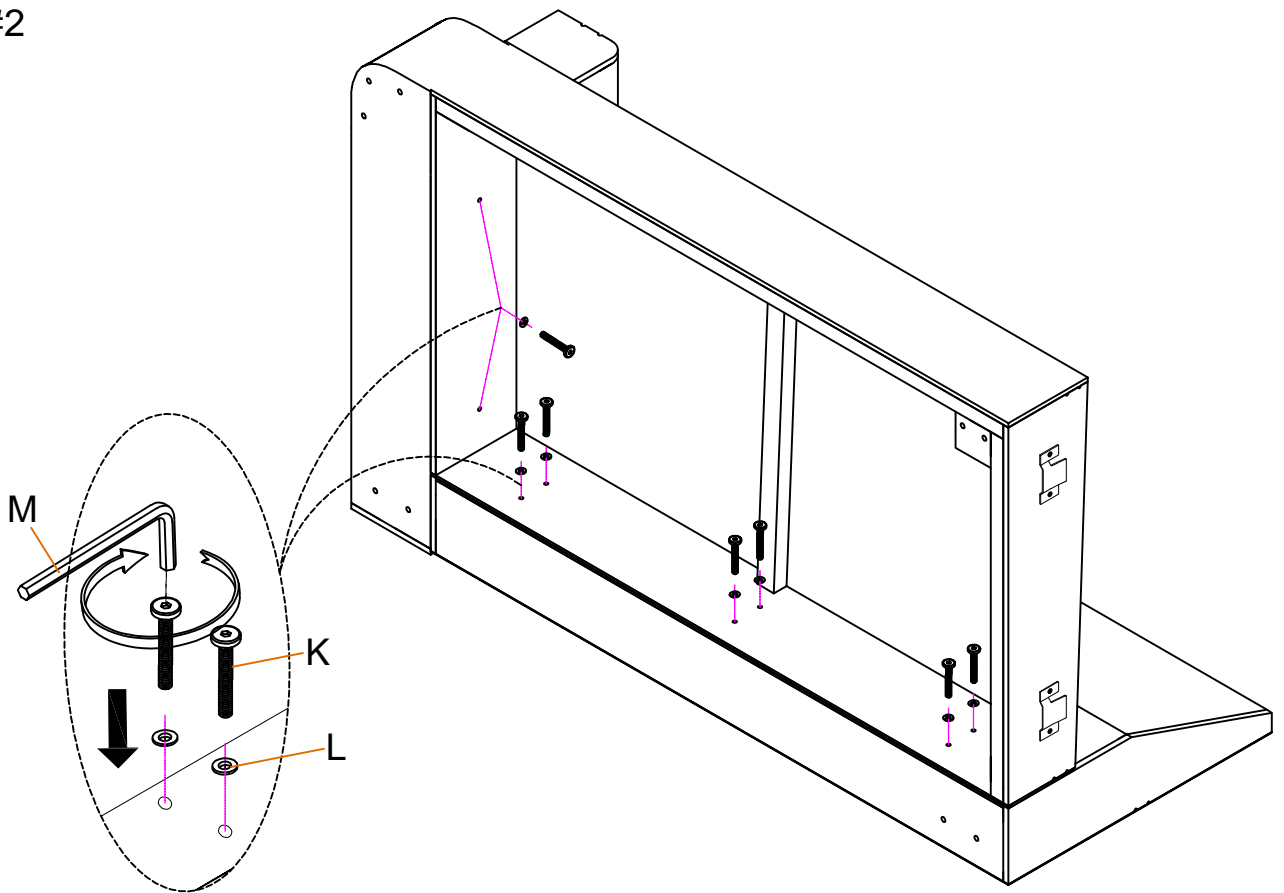
THE PARTS ARE LOCATED INSIDE THE BOX AS BELOW:



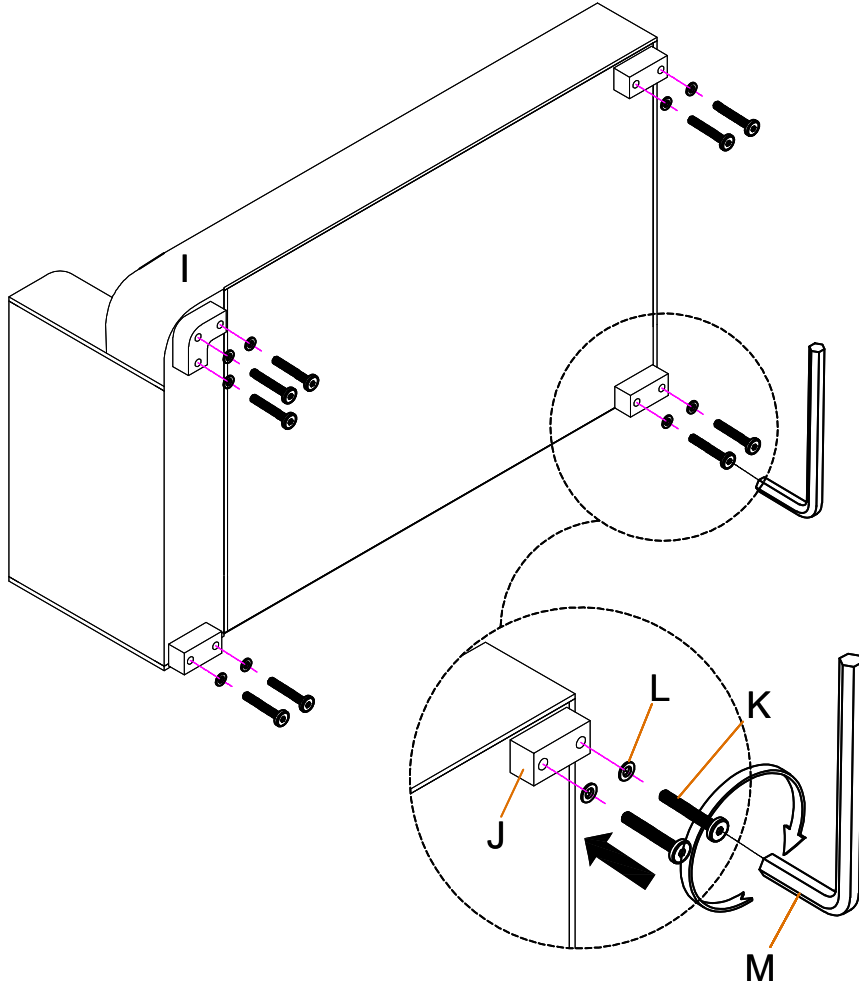
Step #1



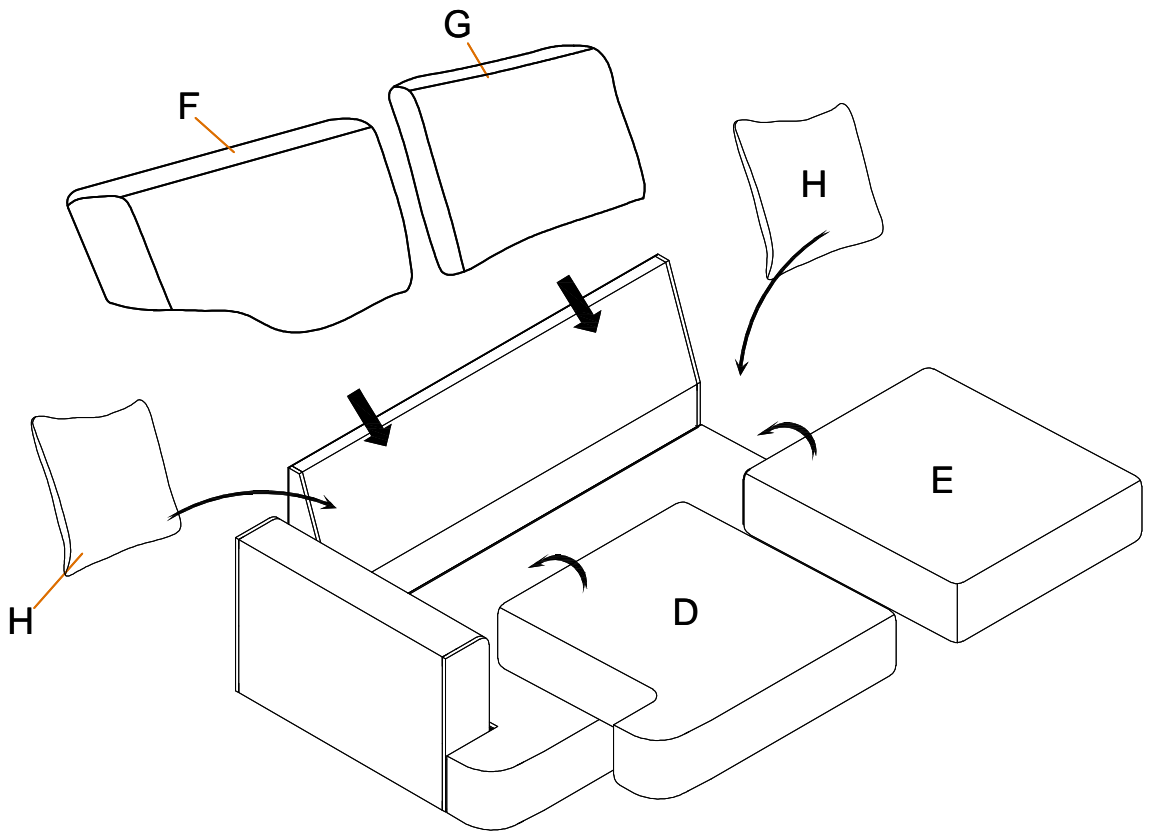
Step #2



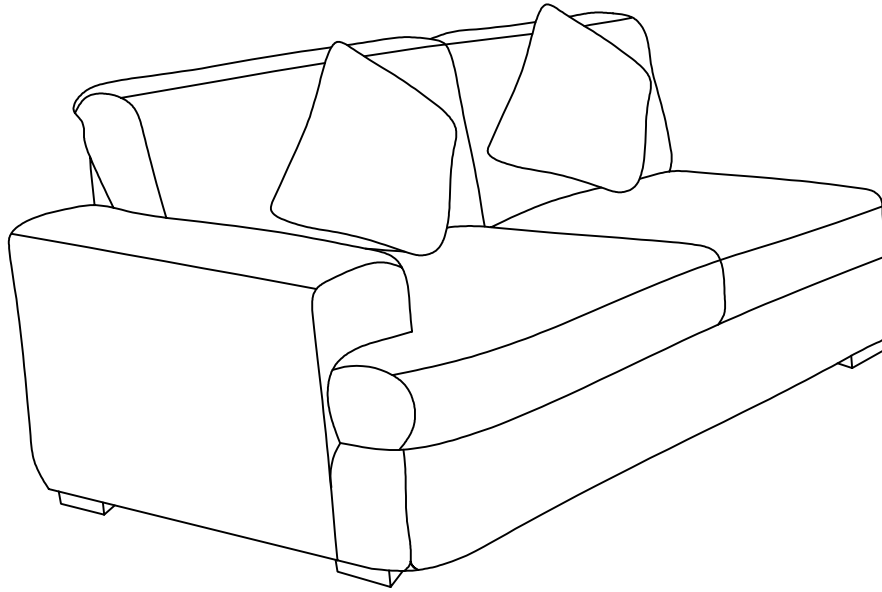
Step #3



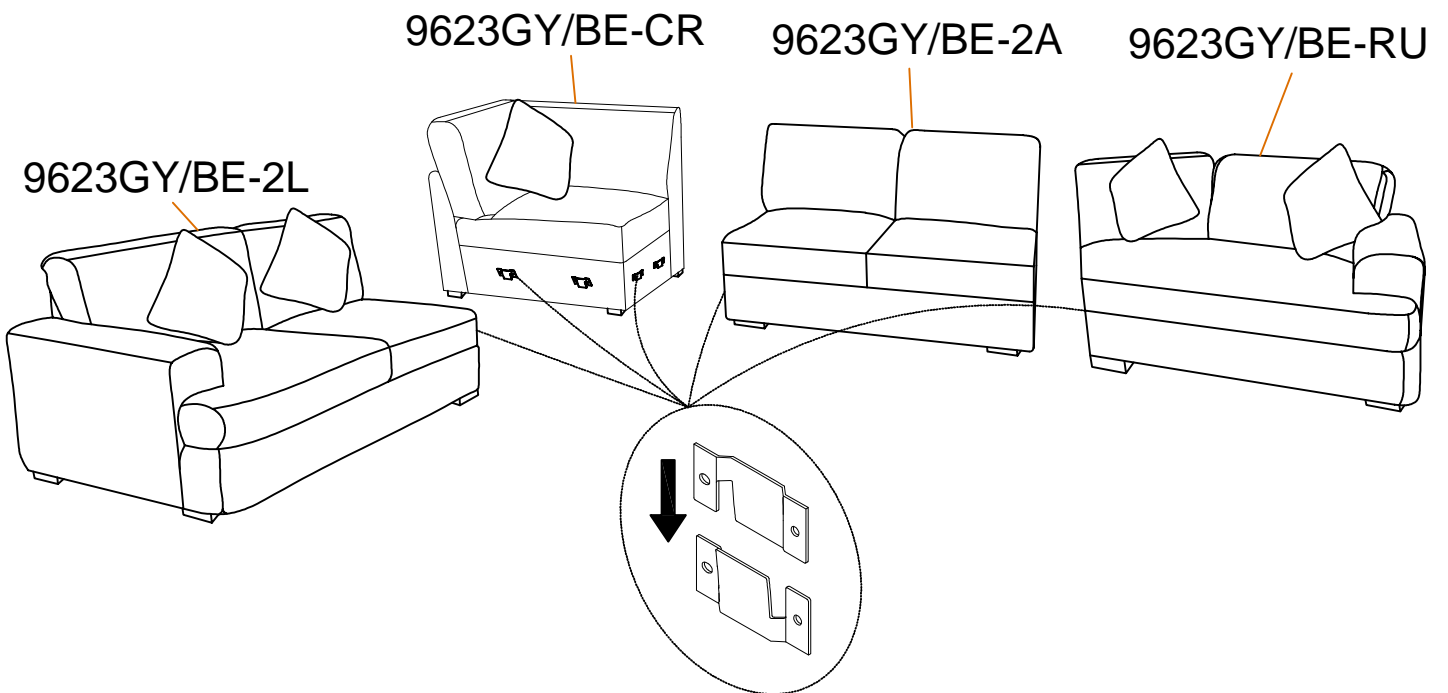
Step #4



Step #5

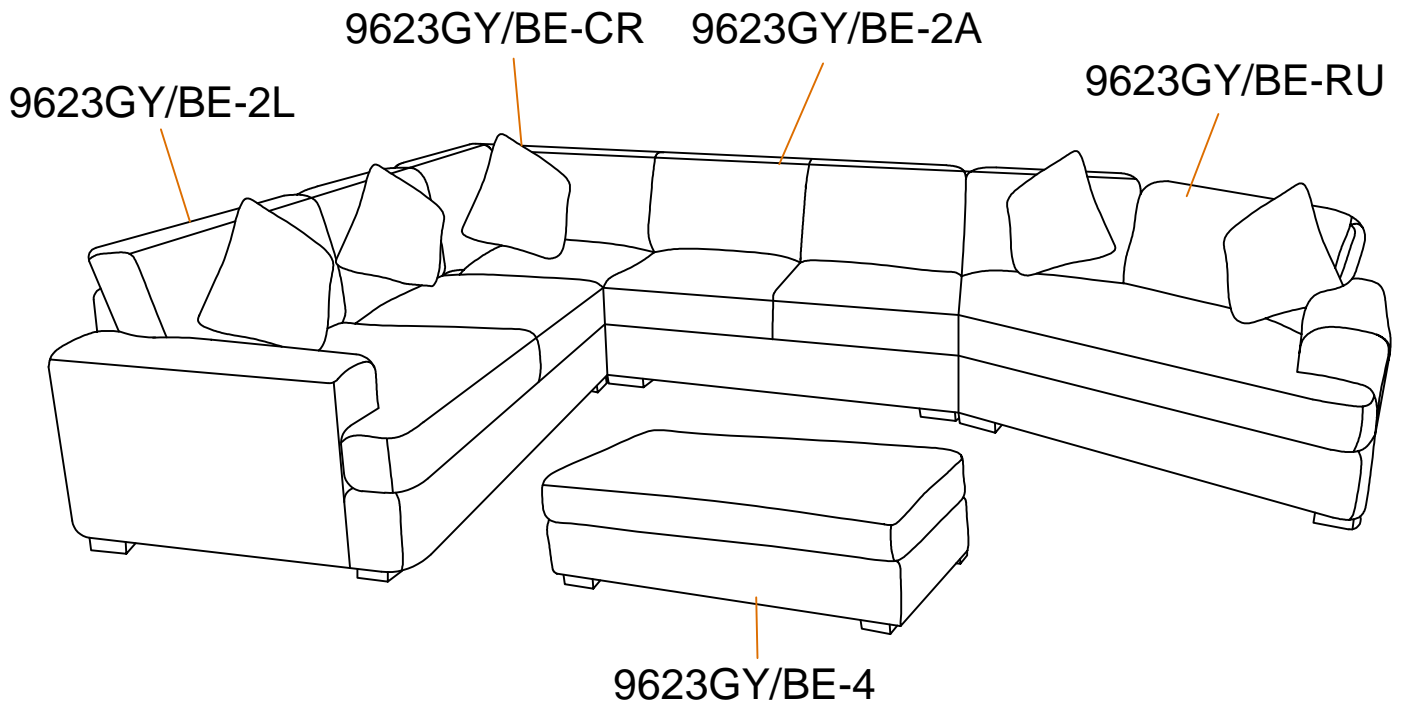


Step #6



Step #7

Assembly completed.



Care Instruction for Corduroy Furniture:

In order to maintain the original appearance of your corduroy please follow below simple care procedures:

- Avoid exposing furniture directly to sunlight or heating and air conditioning outlets. Sunlight and/or exposure to heating and air conditioning outlets will fade/damage corduroy. Do not place your upholstered furniture too close to windows, radiators, or vents, and be sure to use windows, radiators, or vents.
- Vacuum or wipe with a soft cloth to remove dust.
- Hardware may loosen over time. Periodically check to make sure all connections are tight. Re-tighten if necessary.



For items use on wooden floor, hard surfaces or carpets, it is recommended to Install protective pads under all legs and supports to avoid/prevent from damages/scratches and discoloration.