





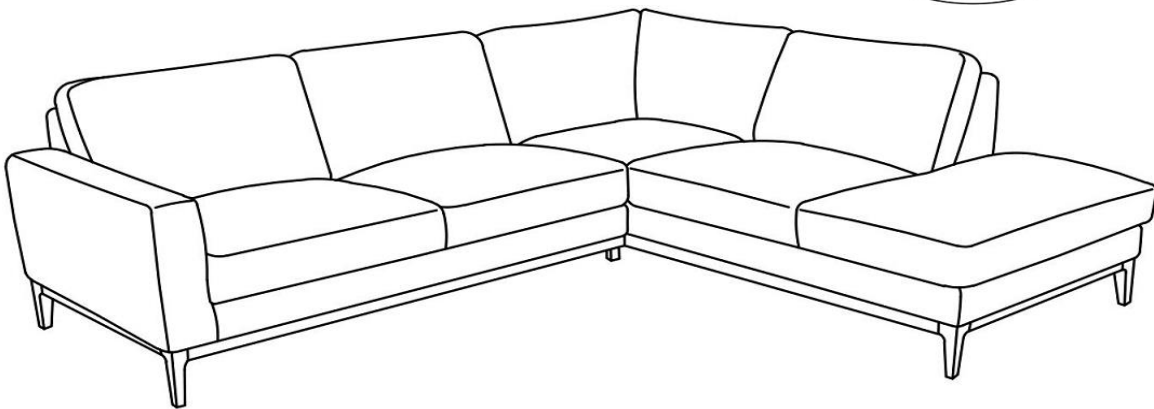
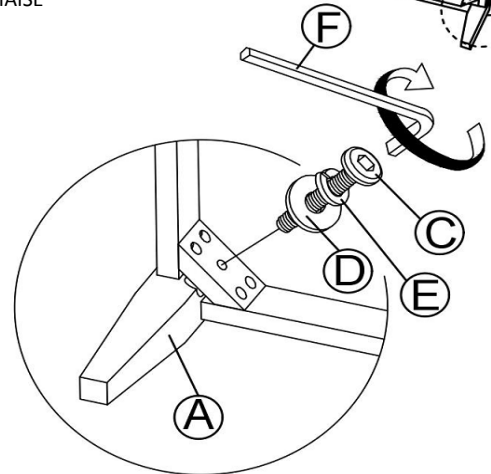
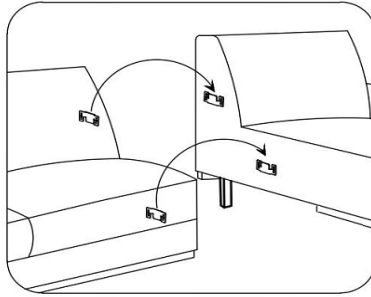
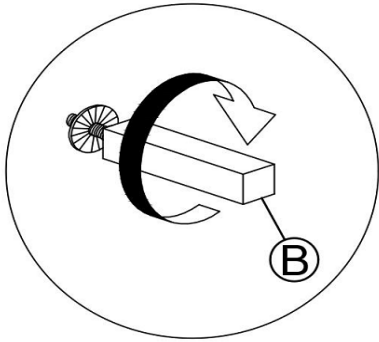
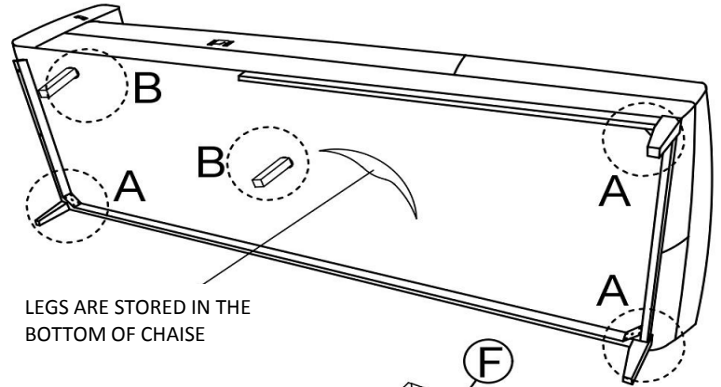
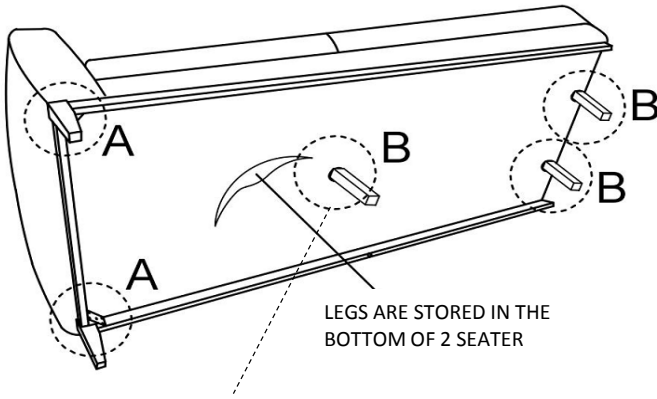


⚠ It is recommended to install protective pads under all legs and supports to avoid damage or scratches when placing furniture on a wood floor or other hard surface, and to limit indentation and prevent discoloration if placing on carpet.

⚠ Il est recommandé de placer des coussins protecteurs sous tous les pieds et toutes les bases des meubles pour éviter d'endommager ou d'égratigner les en bois ou autres surfaces dures, et pour limiter l'empreinte et empêcher la décoloration quand les meubles reposent sur la moquette.

HARDWARE LIST			
NO.	DESCRIPTION		QTY
A	WOODEN LEG		5 PCS
B	SUPPORT LEG WITH PLASTIC WASHER		5 PCS
C	M8 x 50 JCBC SCREW		5 PCS
D	FLAT WASHER		5 PCS
E	SPRING WASHER		5 PCS
F	M5 ALLEN KEY		1 PC



CARE INSTRUCTION FOR LEATHER MATCH FURNITURE

In order to maintain the original appearance of your leather match furniture, please follow below care procedures:

- Avoid exposing furniture directly to sunlight or heating and air conditioning outlets. Sunlight and / or exposure to heating and air conditioning outlets will fade/damage Leather match.
- Vacuum or wipe with a soft cloth to remove dust