


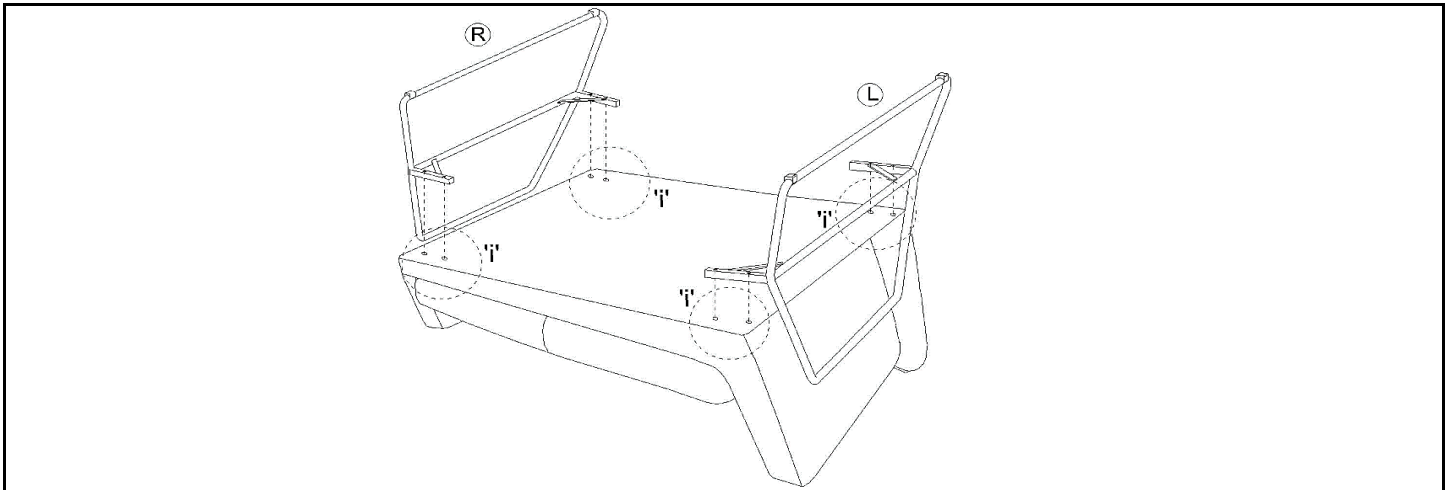


⚠ It is recommended to install protective pads under all legs and supports to avoid damage or scratches when placing furniture on a wood floor or other hard surface, and to limit indentation and prevent discoloration if placing on carpet.

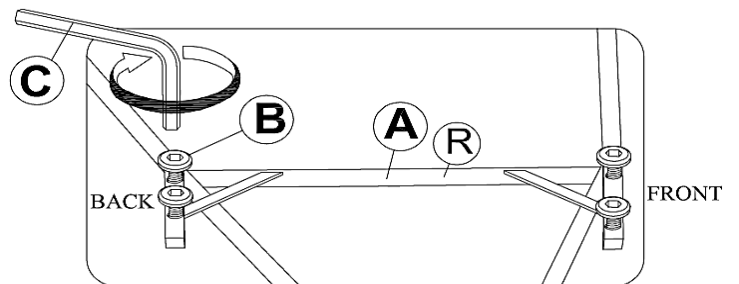
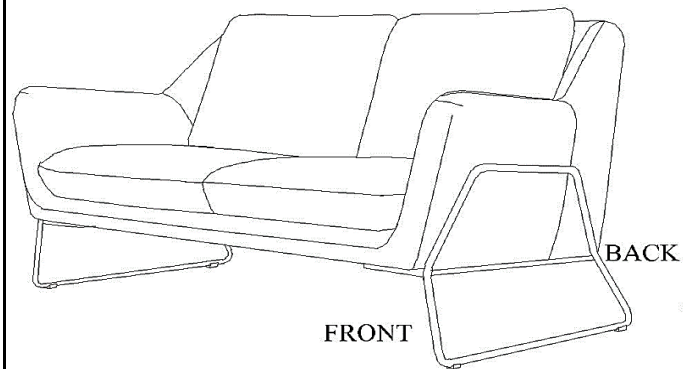
⚠ Il est recommandé de placer des coussins protecteurs sous tous les pieds et toutes les bases des meubles pour éviter d'endommager ou d'égratigner les en bois ou autres surfaces dures, et pour limiter l'empreinte et empêcher la décoloration quand les meubles reposent sur la moquette.

**HARDWARE LIST/ LISTE DE QUINCAILLERIE**

NO.	DESCRIPTION	QTY
1	1 1L LSF LEG FRAME & 1 1R RSF LEG FRAME 	2 PCS
B	JCBB M8 X 50MM 	8 PCS
C	M5 ALLEN KEY 	1 PC



**DO NOT TIGHTEN BOLTS UNTIL COMPLETELY ASSEMBLED.**  
**NE PAS SERRER LES BOULONS JUSQU'À CE QUE LE MONTAGE SOIT COMPLETMENT TERMINE**



**CARE INSTRUCTION FOR FABRIC FURNITURE**

In order to maintain the original appearance of your fabric furniture, please follow below care procedures:

• Avoid exposing furniture directly to sunlight or heating and air conditioning outlets. Sunlight and / or exposure to heating and air conditioning outlets will fade/damage fabric. Do not place your upholstered furniture too close to windows, radiators, r vents and be sure to use window treatments to block the sun's rays.

• Use soft brush to remove dust.