



ASSEMBLING INSTRUCTIONS

ITEM NO: 9467BR-2 Double Glider Reclining Love Seat with Center Console

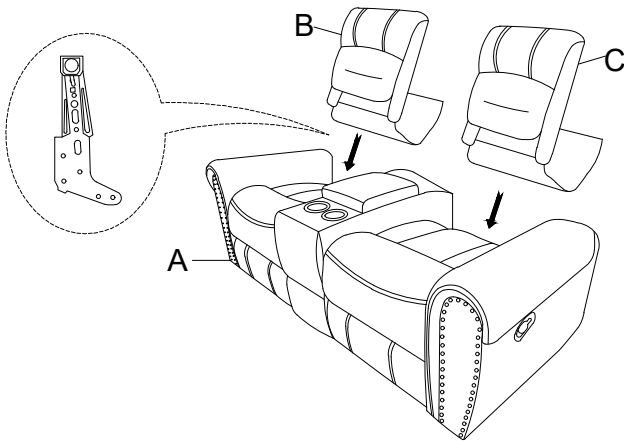
- Middle console back rest is packed in the bottom .
- NOTE: Do not use power tools for assembly. Power tools increase the risk of over tightening which lead to splitting or cracking the wood.

COMPONENT LIST

NO.	DRAWING	QTY	DESCRIPTION	NO.	DRAWING	QTY	DESCRIPTION
A		1 PC	SEAT	E		1 PC	LSF EAR
B		1 PC	LSF BACK REST	F		1 PC	RSF EAR
C		1 PC	RSF BACK REST	G		2 PCS	FLAT WASHER (METAL) Ø5/16" x 3/4" x 2mmT
D		1 PC	MIDDLE CONSOLE BACK REST	H		2 PCS	WING NUT (METAL) Ø5/16" x 1" x 10mmT

STEP 1:

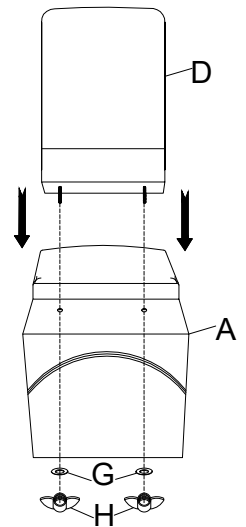
Attach LSF Back Rest (B) and RSF Back Rest (C) to the Seat (A).



STEP 2:

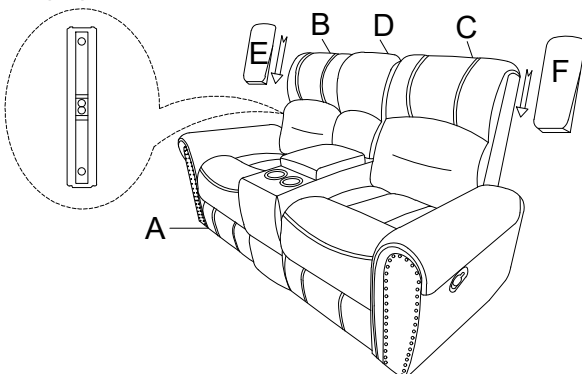
Attach Middle Console Back Rest (D) to the Seat (A) by using Flat Washer (G) and Wing Nut (H).

NOTE: Middle Console Back Rest is packed in the bottom .



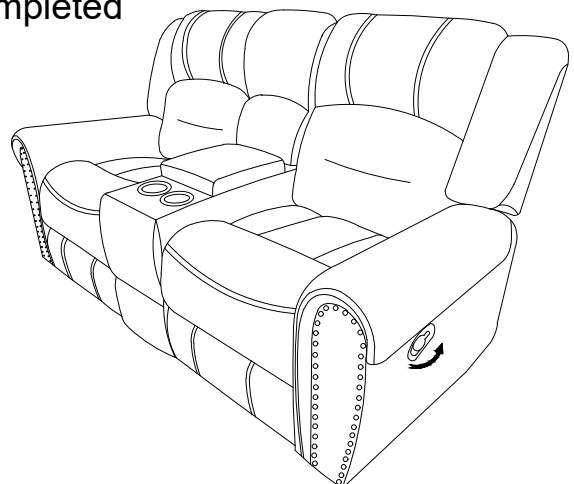
STEP 3:

Attach the LSF Ear (E) to LSF Back Rest (B) and RSF Ear (F) to the RSF Back Rest (C).



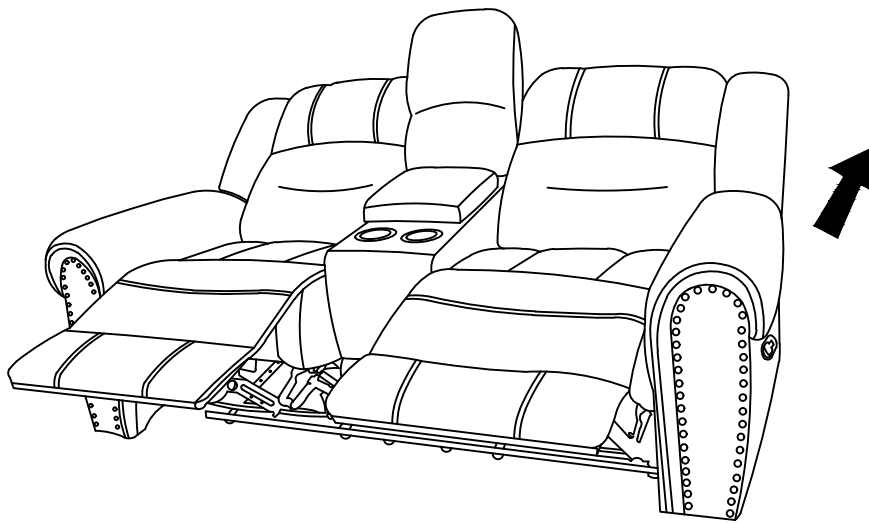
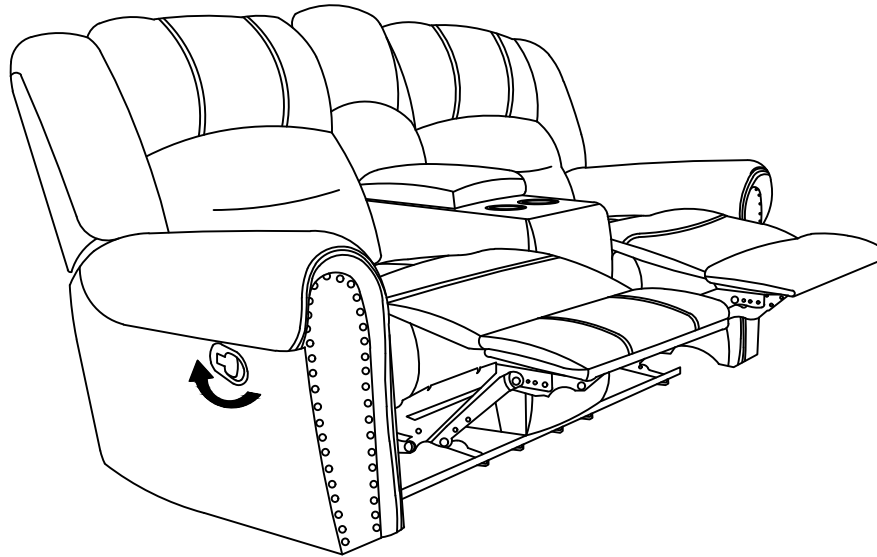
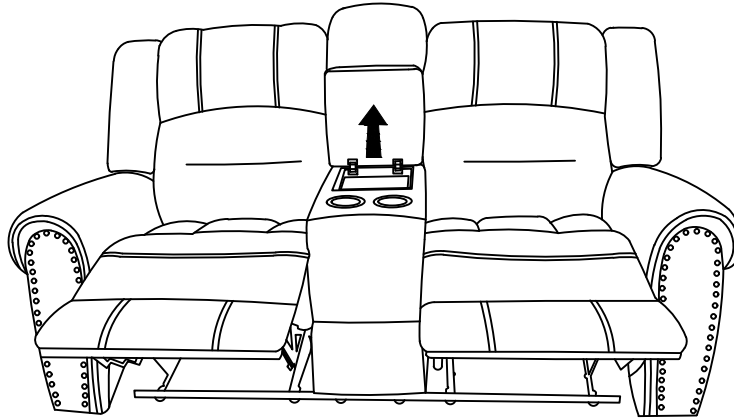
STEP 4:

Completed



ASSEMBLING INSTRUCTIONS

ITEM NO: 9467BR-2 Double Glider Reclining Love Seat with Center Console



CARE INTRUCTION FOR 100% POLYESTER FURNITURE.

In order to maintain the original appearance of your 100% polyester furniture, please follow below care procedures.

- Avoid exposing furniture directly to sunlight or heating and air conditioning outlets. Sunlight and or exposure to heading and air conditioning outlets will fade/damage fabric.
- Do not place your upholstered furniture too close to windows, radiators, or vents and be sure to use window, radiators, or vents.
- Vacuum or wipe with a cloth regularly to remove dust.



For items used on wooden floor, hard surfaces or carpets, it is recommended to install protecve pads under all legs supports to avoid/prevent from damages/scratches discoloration.