

ASSEMBLY INSTRUCTION




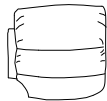




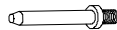
ITEM NO.: 9422FS-3 Double Reclining Sofa



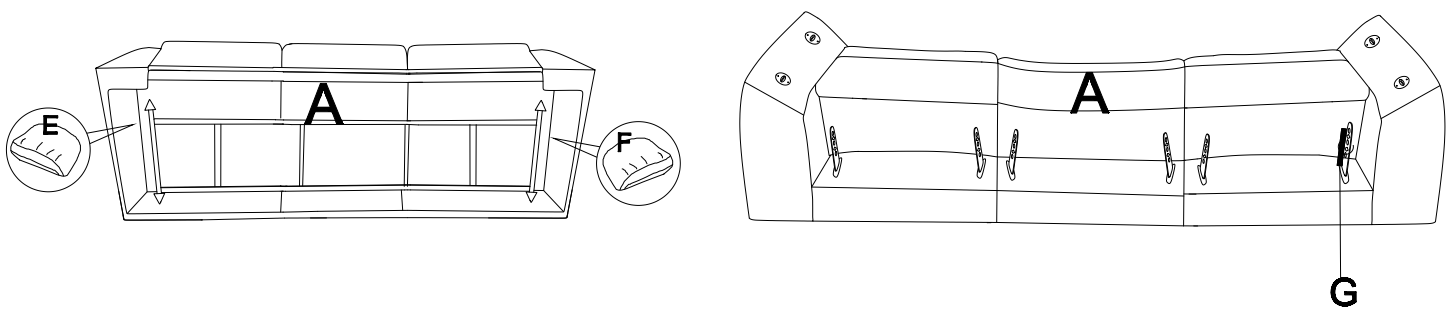
Arms are stored underneath the seat, please take out for assembly.

NOTE: Do not use power tools for assembly. Power tools increase the risk of over tightening which lead to splitting or cracking the wood.

COMPONENT LIST

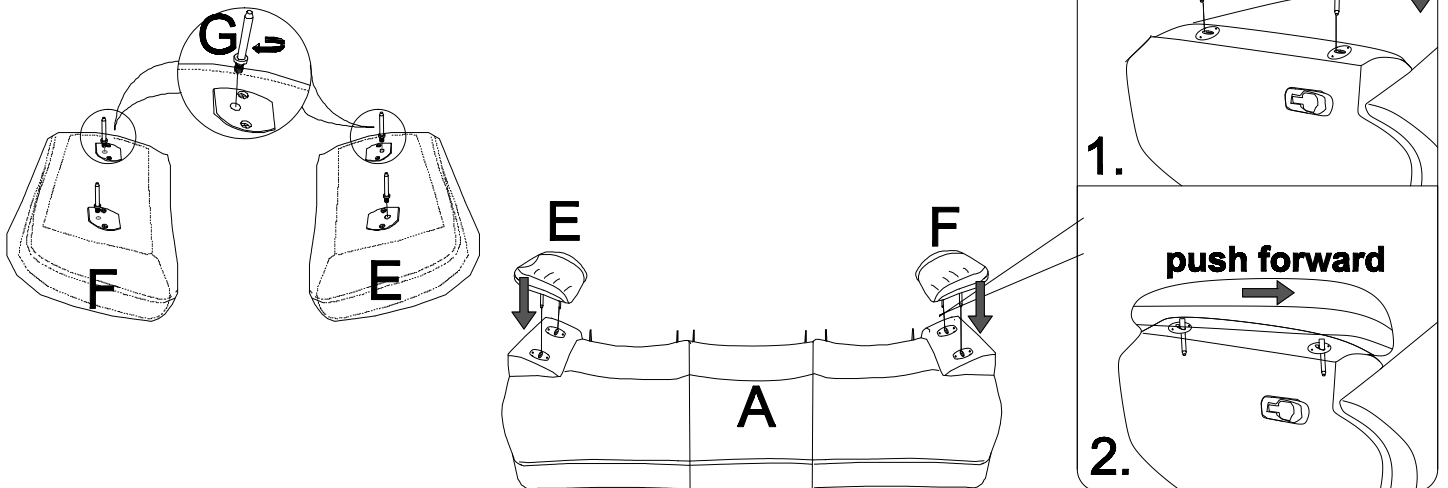
NO.	DRAWING	QTY	DESCRIPTION
A		1	SOFA
B		1	LSF BACK REST
C		1	MIDDLE BACK REST
D		1	RSF BACK REST
E		1	LSF ARM REST
F		1	RSF ARM REST
G		4	METAL PIN $\phi 5/16'' * 2-5/8''$

STEP 1

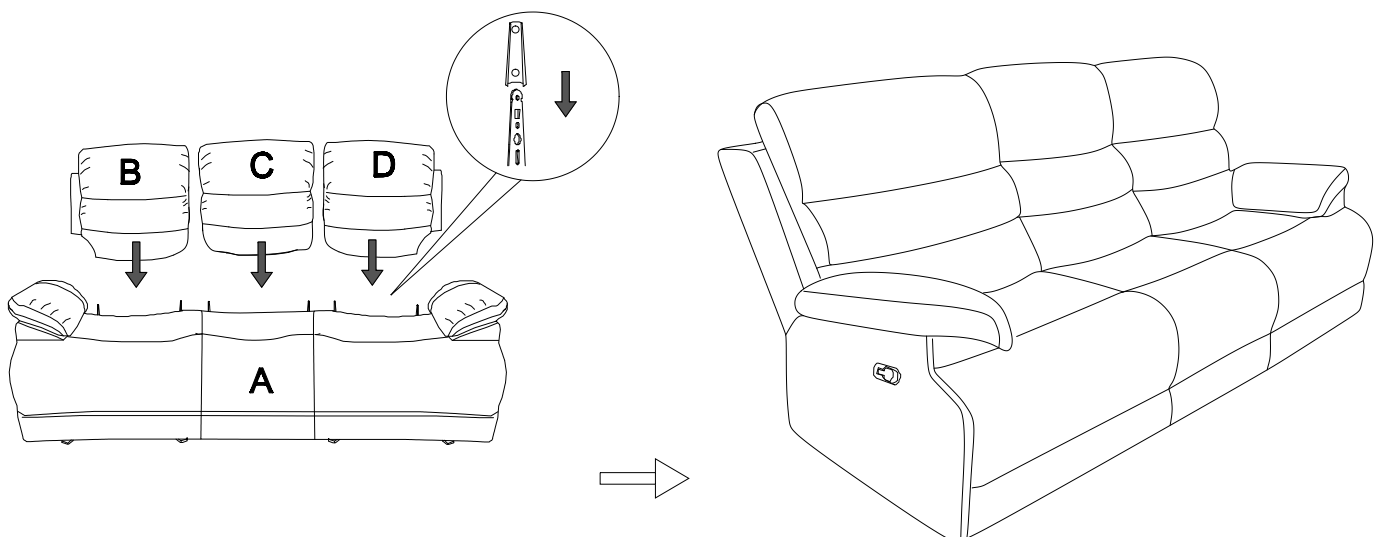


STEP 2

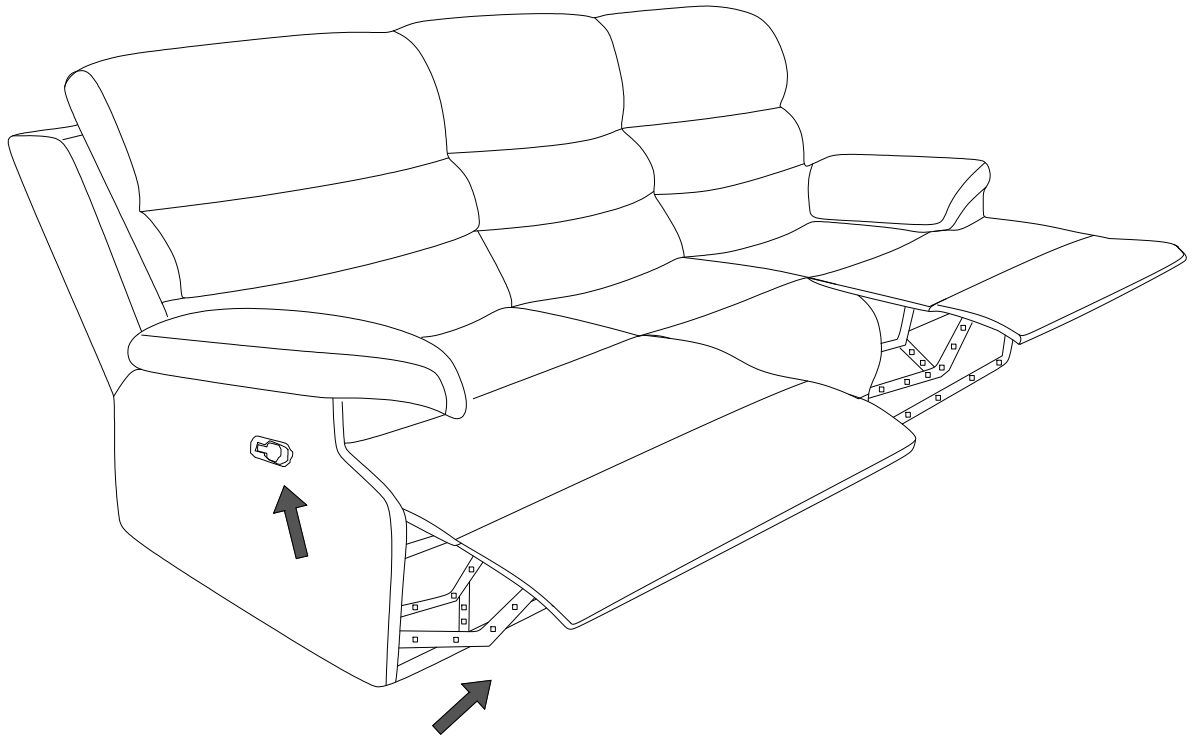
Turn clockwise to tighten the metal pin, align and insert metal pin to the arm frame, push forward to lock the pin.



STEP 3



STEP 4



Care instruction for 100% polyester furniture.

In order to maintain the original appearance of your 100% polyester furniture, please follow below simple care procedures:

- **Avoid exposing furniture directly to sunlight or heating and air conditioning outlets. Sunlight and or exposure to heating and air conditioning outlets will fade/damage fabric.**
- **Do not place your upholstered furniture too close to windows, radiators, or vents, and be sure to use windows, radiators, or vents.**
- **Vacuum or wipe with a cloth regularly to remove dust.**



For items used on wooden floor, hard surfaces or carpets, it is recommended to install protective pads under all legs and supports to avoid/prevent from damages/scratches discoloration.