

# ASSEMBLY INSTRUCTION

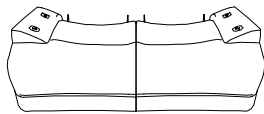
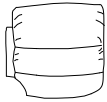
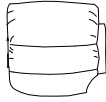


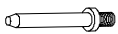


## ITEM NO.: 9422FS-2 Double Reclining Love Seat

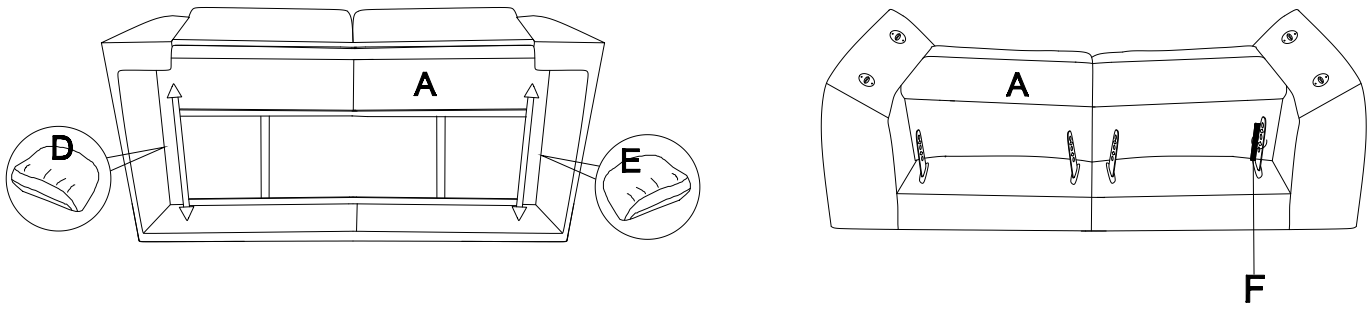
 Arms are stored underneath the seat, please take out for assembly.

**NOTE:** Do not use power tools for assembly. Power tools increase the risk of over tightening which lead to splitting or cracking the wood.

### COMPONENT LIST

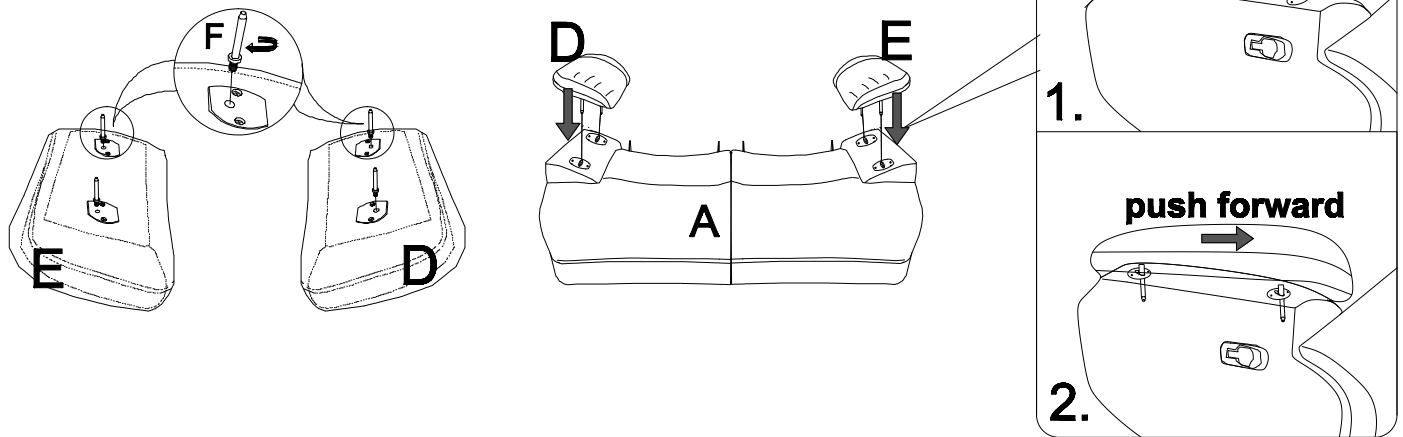
NO.	DRAWING	QTY	DESCRIPTION
A		1	LOVE SEAT
B		1	LSF BACK REST
C		1	RSF BACK REST
D		1	LSF ARM REST
E		1	RSF ARM REST
F		4	METAL PIN φ5/16" * 2-5/8"

## STEP 1

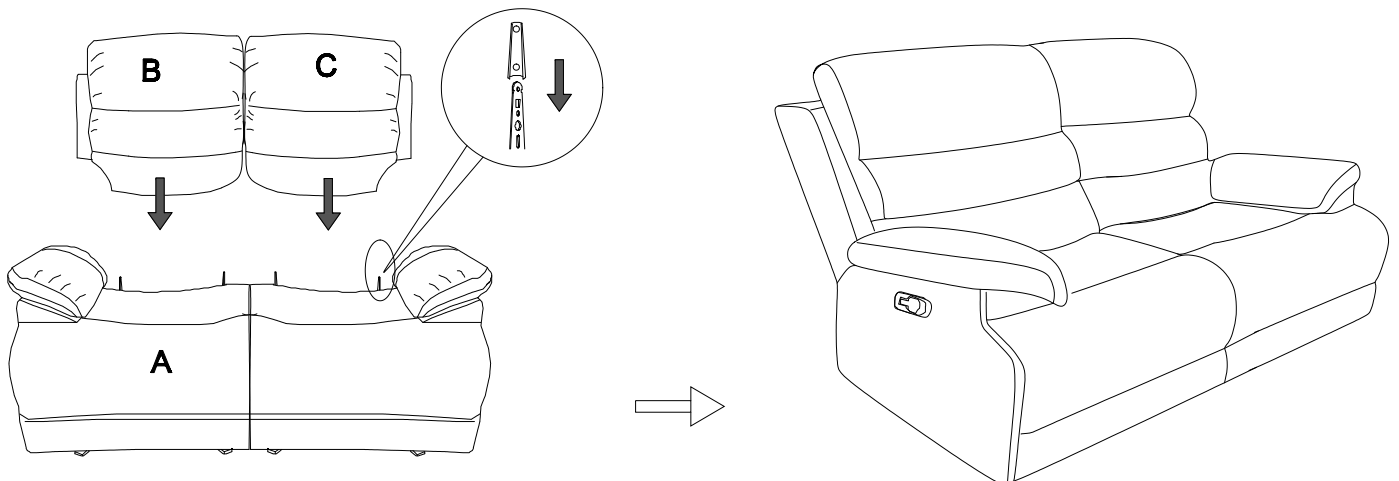


## STEP 2

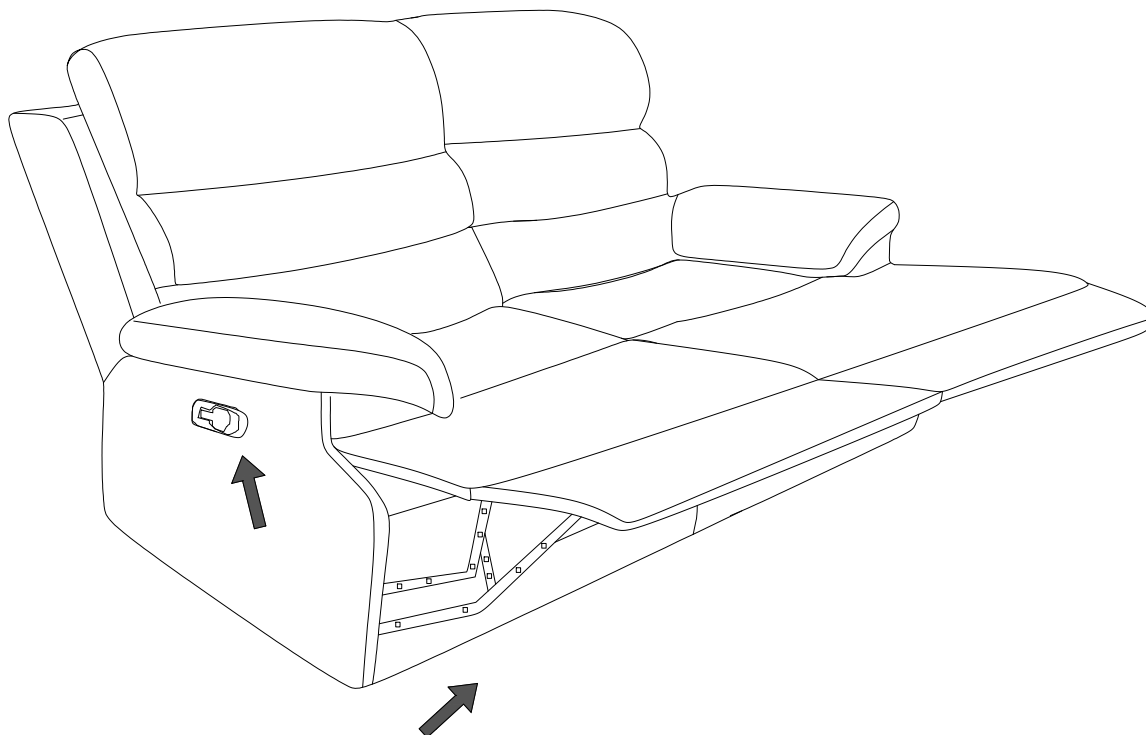
Turn clockwise to tighten the metal pin, align and insert metal pin to the arm frame, push forward to lock the pin.



## STEP 3



## STEP 4



### **Care instruction for 100% polyester furniture.**

**In order to maintain the original appearance of your 100% polyester furniture, please follow below simple care procedures:**

- **Avoid exposing furniture directly to sunlight or heating and air conditioning outlets. Sunlight and or exposure to heating and air conditioning outlets will fade/damage fabric.**
- **Do not place your upholstered furniture too close to windows, radiators, or vents, and be sure to use windows, radiators, or vents.**
- **Vacuum or wipe with a cloth regularly to remove dust.**



**For items used on wooden floor, hard surfaces or carpets, it is recommended to install protective pads under all legs and supports to avoid/prevent from damages/scratches discoloration.**