

ASSEMBLY INSTRUCTION

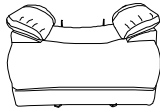



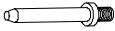


ITEM NO.: 9422FS-1 Glider Reclining Chair

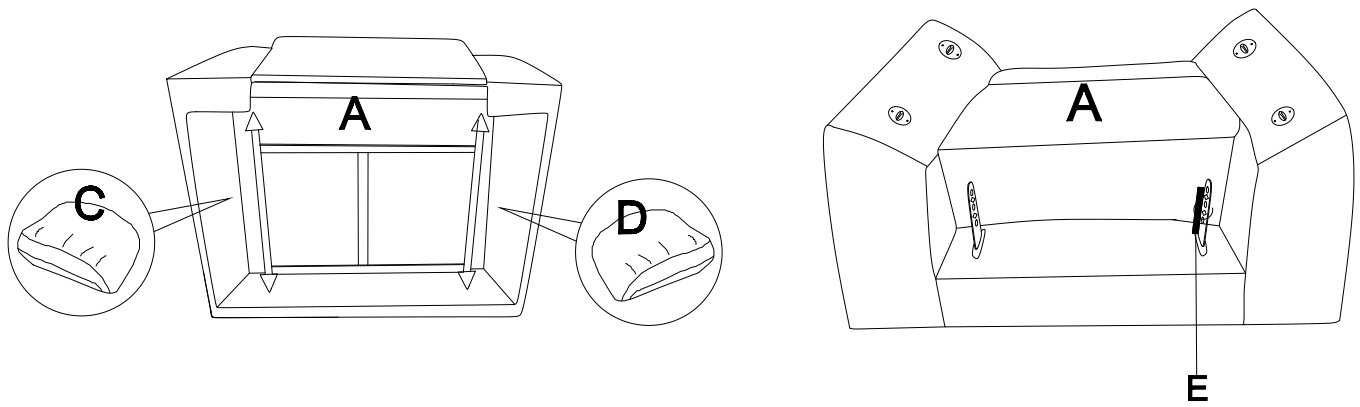
 Arms are stored underneath the seat, please take out for assembly.

NOTE: Do not use power tools for assembly. Power tools increase the risk of over tightening which lead to splitting or cracking the wood.

COMPONENT LIST

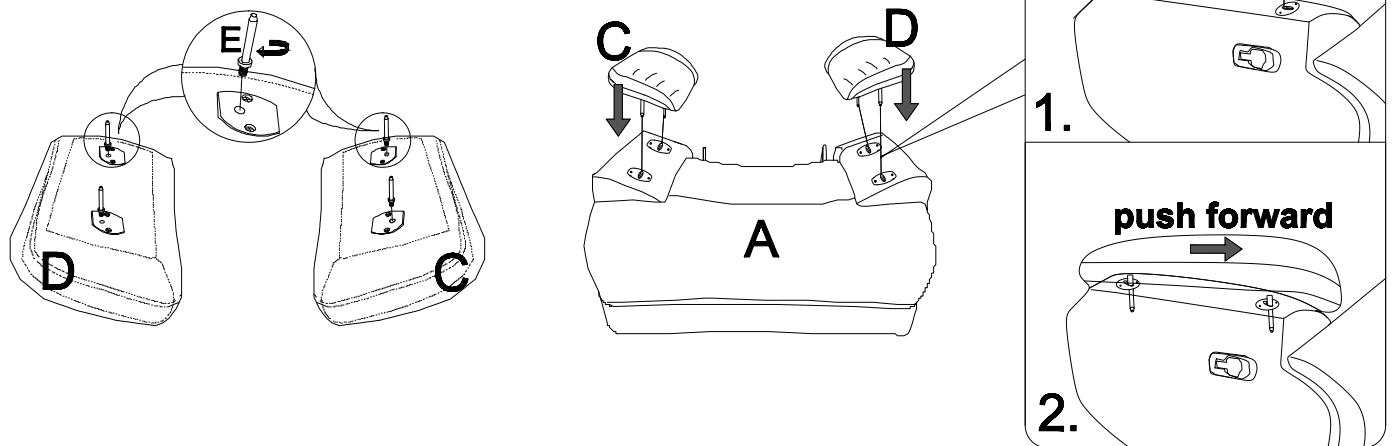
NO.	DRAWING	QTY	DESCRIPTION
A		1	SEAT
B		1	BACK REST
C		1	LSF ARM REST
D		1	RSF ARM REST
E		4	METAL PIN $\phi 5/16"$ * 2-5/8"

STEP 1

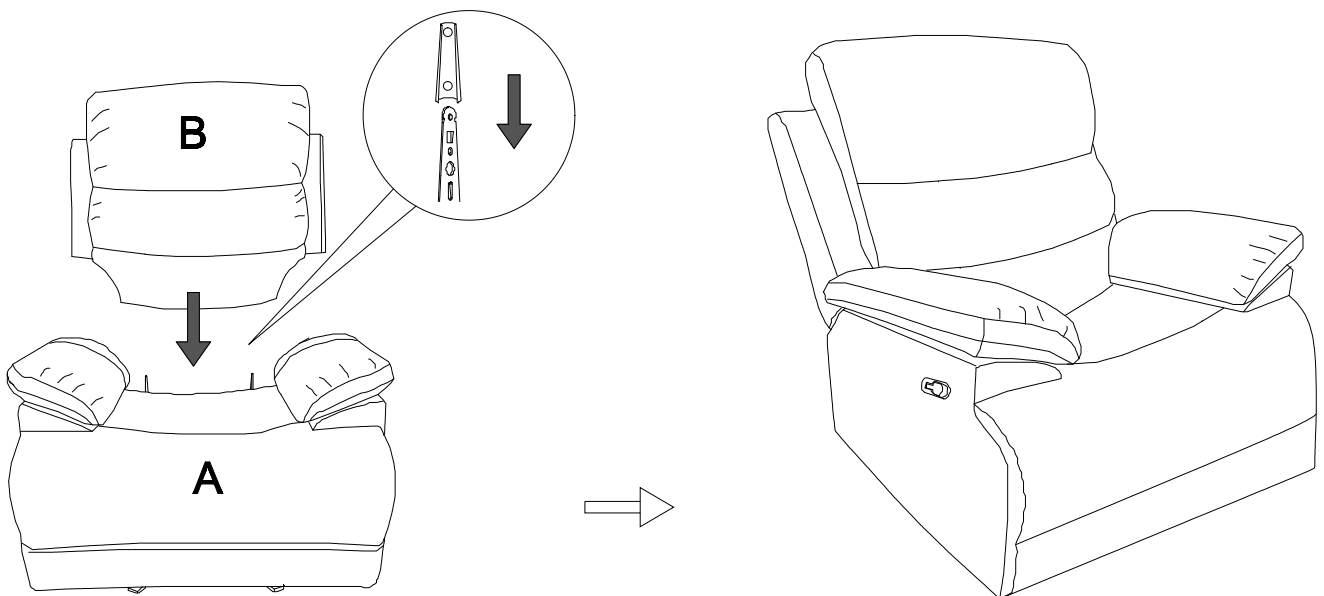


STEP 2

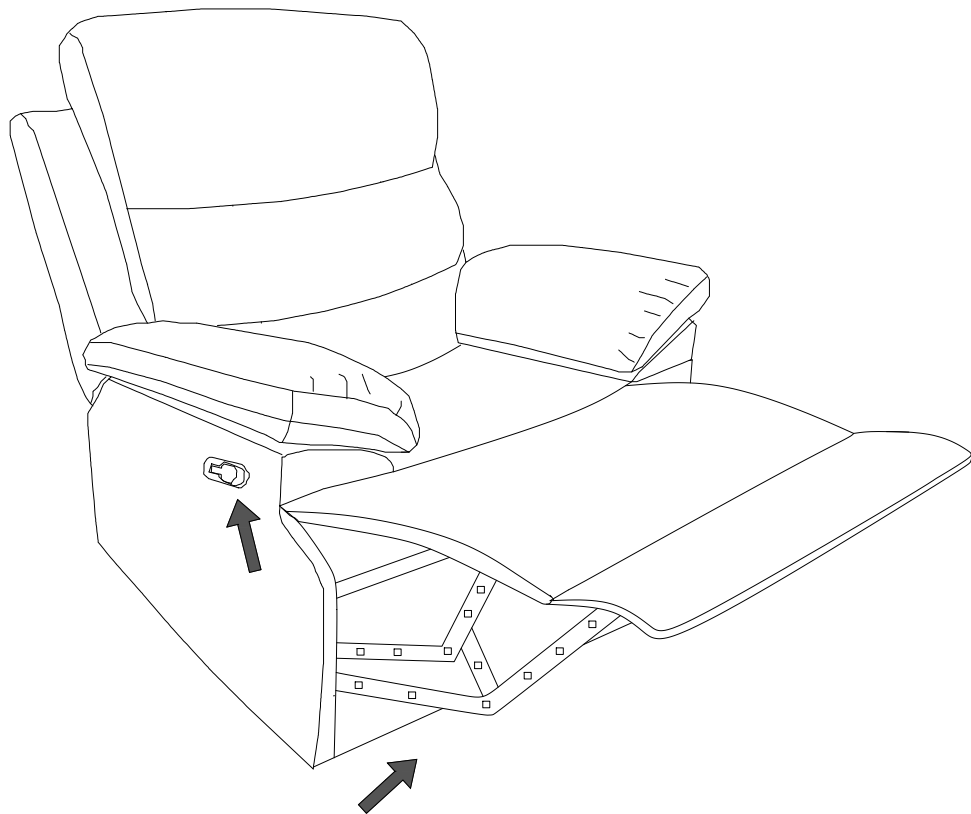
Turn clockwise to tighten the metal pin, align and insert metal pin to the arm frame, push forward to lock the pin.



STEP 3



STEP 4



Care instruction for 100% polyester furniture.

In order to maintain the original appearance of your 100% polyester furniture, please follow below simple care procedures:

- **Avoid exposing furniture directly to sunlight or heating and air conditioning outlets. Sunlight and or exposure to heating and air conditioning outlets will fade/damage fabric.**
- **Do not place your upholstered furniture too close to windows, radiators, or vents, and be sure to use windows, radiators, or vents.**
- **Vacuum or wipe with a cloth regularly to remove dust.**



For items used on wooden floor, hard surfaces or carpets, it is recommended to install protective pads under all legs and supports to avoid/prevent from damages/scratches discoloration.