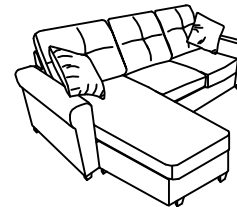




## 9411NV/GY/BK-3SC Reversible Sofa Chaise Assembly Instruction

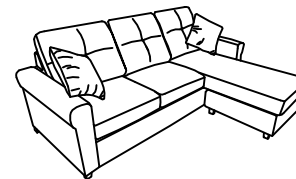
Thank you for your purchase of the Homelegance Sofa Chaise. Sofa chaise can be assembled with either left side facing chaise (configuration #1) or right side facing chaise (configuration #2), please check below instruction for assembly.

### Configuration #1



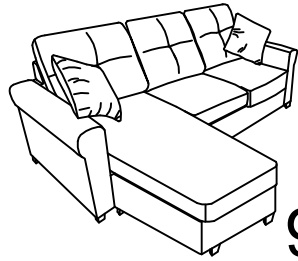
see page 2 for assembly instruction

### Configuration #2



see page 3 for assembly instruction

**NOTE:** Do not tighten the bolts until all parts are assembled. Legs and hardware are stored in the bottom of the sofa, please take out for assembly.

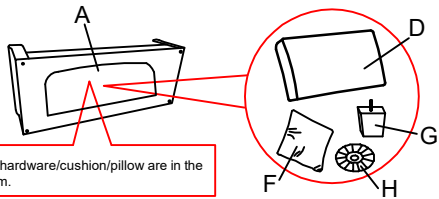
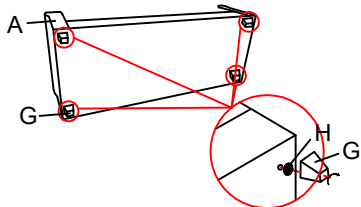
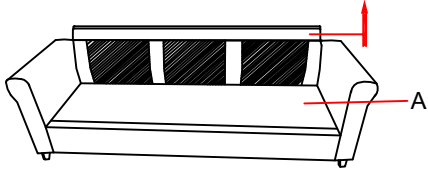
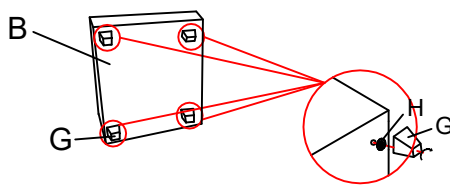
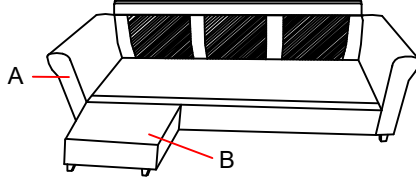
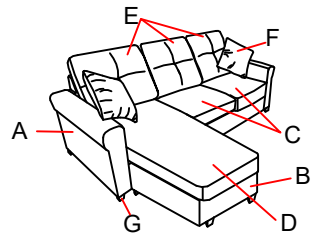
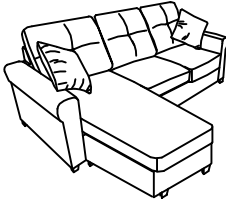


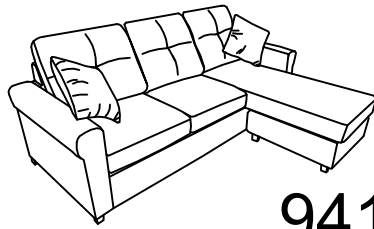
# 9411NV/GY/BK-3SC Reversible Sofa Chaise

## Configuration #1



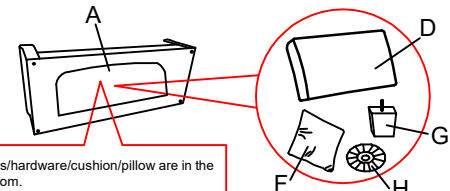
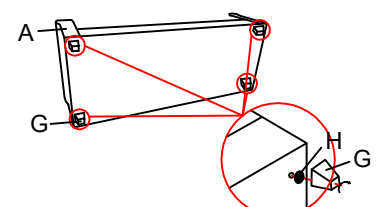
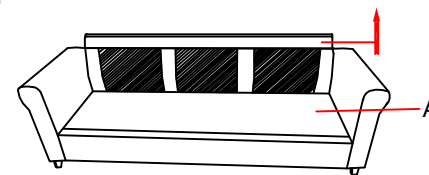
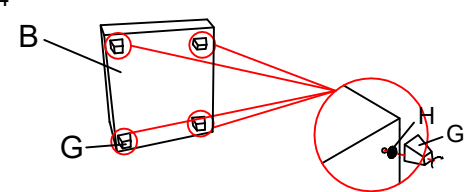
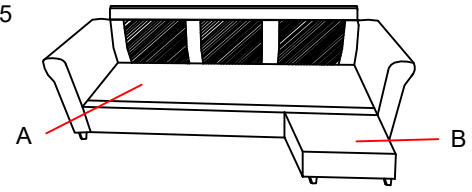
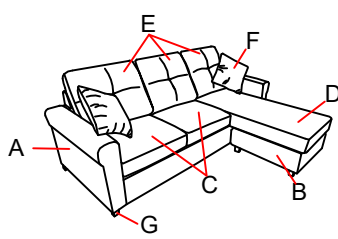
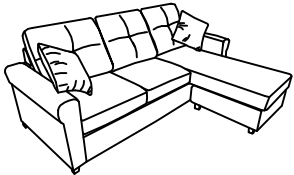
LESG AND HARDWARE ARE STORED IN THE BOTTOM OF THE SOFA .THEY ARE ATTACHED TO AN EASY-TO -FIND RED RIBBON.PLEASE TAKE OUT FOR ASSEMBLY

<p>STEP 1</p> 	<p>STEP 2</p> 	<p>STEP 3</p> 																																				
<p>STEP 4</p> 	<p>STEP 5</p> 	<table border="1"> <thead> <tr> <th>NO.</th> <th>DRAWING</th> <th>QTY</th> <th>DESCRIPTION</th> </tr> </thead> <tbody> <tr> <td>A</td> <td></td> <td>1pc</td> <td>SOFA</td> </tr> <tr> <td>B</td> <td></td> <td>1pc</td> <td>OTTOMAN</td> </tr> <tr> <td>C</td> <td></td> <td>2pcs</td> <td>SEAT CUHION</td> </tr> <tr> <td>D</td> <td></td> <td>1pc</td> <td>CHAISE CUSHION</td> </tr> <tr> <td>E</td> <td></td> <td>3pcs</td> <td>BACK CUSHION</td> </tr> <tr> <td>F</td> <td></td> <td>2pcs</td> <td>PILLOW</td> </tr> <tr> <td>G</td> <td></td> <td>8pcs</td> <td>WOODEN LEG</td> </tr> <tr> <td>H</td> <td></td> <td>8pcs</td> <td>GASKET</td> </tr> </tbody> </table>	NO.	DRAWING	QTY	DESCRIPTION	A		1pc	SOFA	B		1pc	OTTOMAN	C		2pcs	SEAT CUHION	D		1pc	CHAISE CUSHION	E		3pcs	BACK CUSHION	F		2pcs	PILLOW	G		8pcs	WOODEN LEG	H		8pcs	GASKET
NO.	DRAWING		QTY	DESCRIPTION																																		
A			1pc	SOFA																																		
B			1pc	OTTOMAN																																		
C			2pcs	SEAT CUHION																																		
D			1pc	CHAISE CUSHION																																		
E			3pcs	BACK CUSHION																																		
F		2pcs	PILLOW																																			
G		8pcs	WOODEN LEG																																			
H		8pcs	GASKET																																			
<p>STEP 6</p> 	<p>STEP 7</p> 																																					



# 9411NV/GY/BK-3SC Reversible Sofa Chaise

## Configuration#2

<p>STEP 1</p> 	<p>STEP 2</p> 	<p>STEP 3</p> 																																				
<p>STEP 4</p> 	<p>STEP 5</p> 	<table border="1"> <thead> <tr> <th>NO.</th> <th>DRAWING</th> <th>QTY</th> <th>DESCRIPTION</th> </tr> </thead> <tbody> <tr> <td>A</td> <td></td> <td>1pc</td> <td>SOFA</td> </tr> <tr> <td>B</td> <td></td> <td>1pc</td> <td>OTTOMAN</td> </tr> <tr> <td>C</td> <td></td> <td>2pcs</td> <td>SEAT CUSHION</td> </tr> <tr> <td>D</td> <td></td> <td>1pc</td> <td>CHAISE CUSHION</td> </tr> <tr> <td>E</td> <td></td> <td>3pcs</td> <td>BACK CUSHION</td> </tr> <tr> <td>F</td> <td></td> <td>2pcs</td> <td>PILLOW</td> </tr> <tr> <td>G</td> <td></td> <td>8pcs</td> <td>WOODEN LEG</td> </tr> <tr> <td>H</td> <td></td> <td>8pcs</td> <td>GASKET</td> </tr> </tbody> </table>	NO.	DRAWING	QTY	DESCRIPTION	A		1pc	SOFA	B		1pc	OTTOMAN	C		2pcs	SEAT CUSHION	D		1pc	CHAISE CUSHION	E		3pcs	BACK CUSHION	F		2pcs	PILLOW	G		8pcs	WOODEN LEG	H		8pcs	GASKET
NO.	DRAWING		QTY	DESCRIPTION																																		
A			1pc	SOFA																																		
B			1pc	OTTOMAN																																		
C			2pcs	SEAT CUSHION																																		
D			1pc	CHAISE CUSHION																																		
E			3pcs	BACK CUSHION																																		
F		2pcs	PILLOW																																			
G		8pcs	WOODEN LEG																																			
H		8pcs	GASKET																																			
<p>STEP 6</p> 	<p>STEP 7</p> 																																					

## **CARE INSTRUCTION FOR FABRIC:**

**In order to maintain the original appearance of your fabric furniture, please follow below simple care procedure:**

- **Avoid exposing furniture directly to sunlight or heating and air conditioning outlets. Exposure to sunlight or heating and air conditioning outlets will fade/damage fabric.**
- **Wipe gently with a damp soft cloth to remove dust, dirt and any grime build up.**



**It is recommended to install protective pads under all legs and supports to avoid damage or scratches when placing furniture on a wood floor or other hard surface, and to limit indentation and prevent discoloration if placing on carpet.**



**Il est recommandé de placer des coussins protecteurs sous tous les pieds et toutes les bases des meubles pour éviter d'endommager ou d'égratigner les planchers en bois ou autres surfaces dures, et pour limiter l'empreinte et empêcher la décoloration quand les meubles reposent sur la moquette.**