



Assembly Instruction

**ITEM NO: 9405GY-AC
ARMLESS CHAIR**



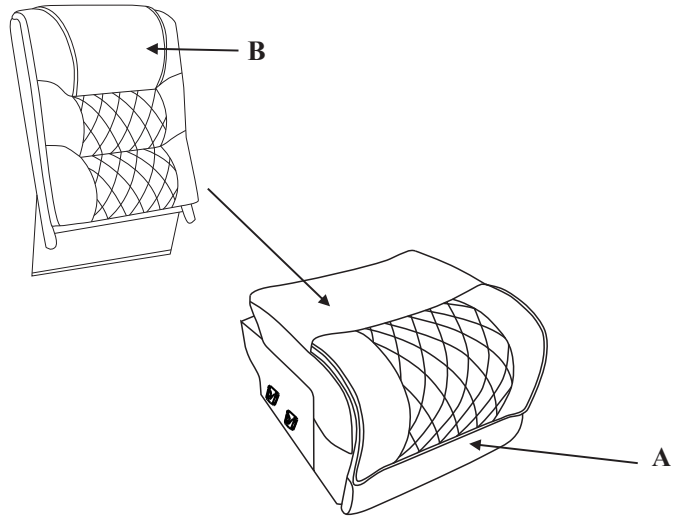
The back rest is placed on the seat, Pls take out for assembly

NOTE: Do not use power tools for assembly. Power tools increase the risk of over tightening which leads to splitting or cracking the wood.

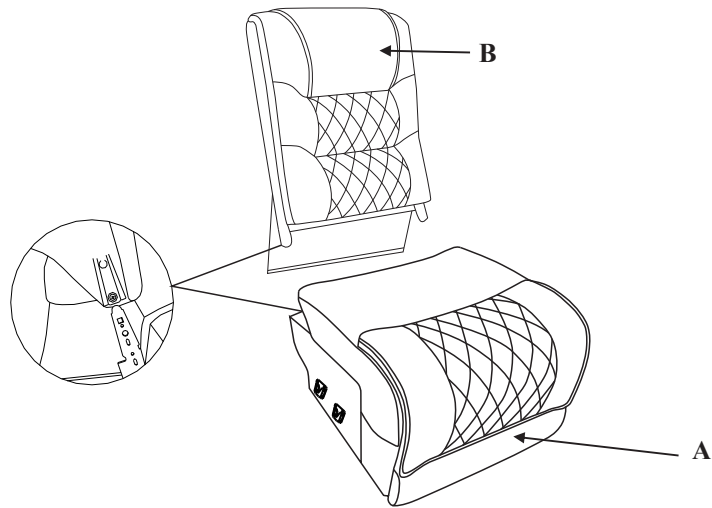
COMPONENT LIST

NO.	DRAWING	QTY	DESCRIPTION
A	A line drawing of a rectangular seat component with a diamond-patterned mesh on top and two small circular details on the side.	1	SEAT
B	A line drawing of a curved back rest component with a diamond-patterned mesh on the front and a curved top edge.	1	BACK REST

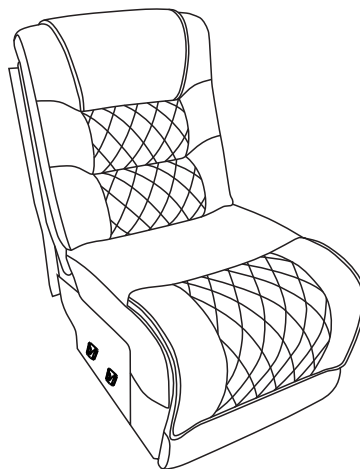
STEP# 1



STEP# 2



STEP# 3



1

LCPW

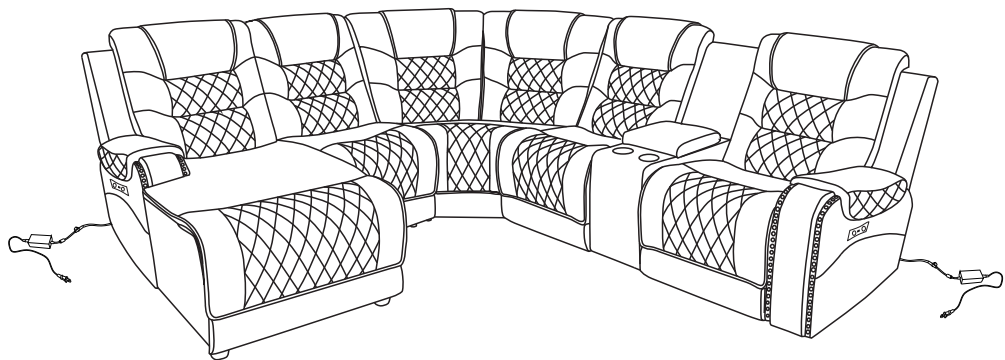
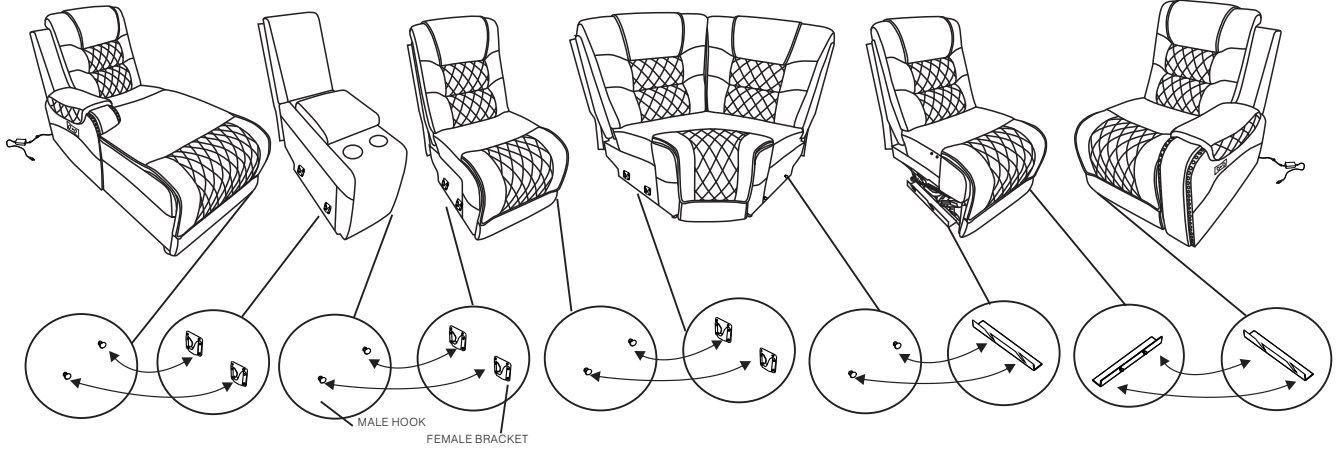
CN

AC

CR

ARPW

RRPWW



2

LRPW

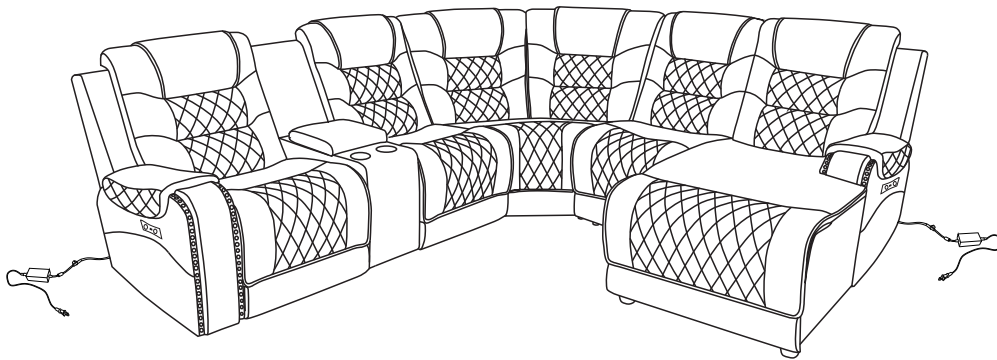
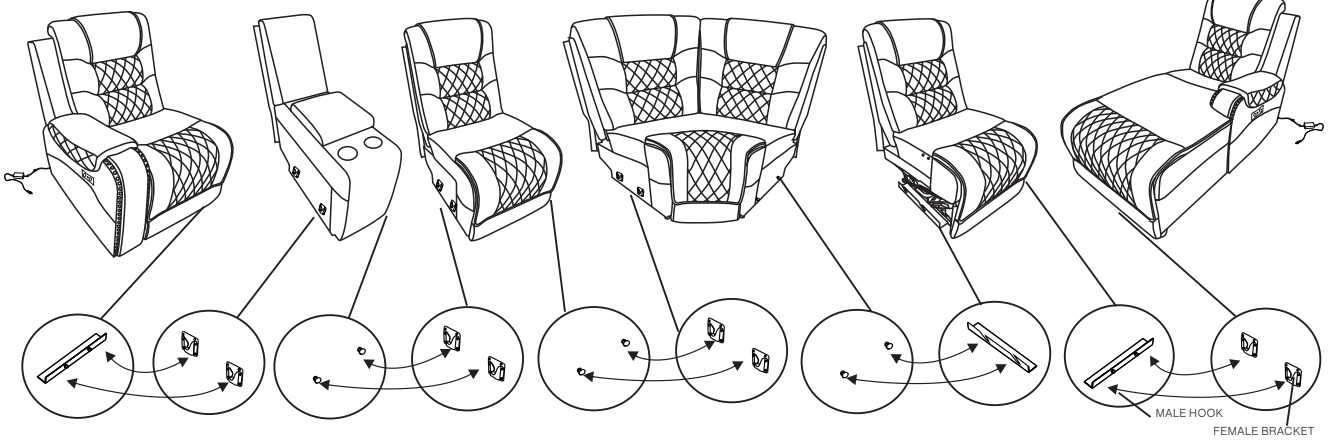
CN

AC

CR

ARPW

RCPW



Care Instruction for Polished Microfiber Match Furniture.

In order to maintain the original appearance of your polished microfiber match furniture, please follow below simple care procedures:

- Avoid exposing furniture directly to sunlight or heating and air conditioning outlets. Sunlight and/or exposure to heating and air conditioning outlets will fade/damage Leather gel match.
- Do not place your upholstered furniture too close to windows, radiators, or vents, and be sure to use windows, radiators, or vents.
- Vacuum or wipe with a soft brush to remove dust.



For items use on wooden floor, hard surfaces or carpets, it is recommended to Install protective pads under all legs and supports to avoid/prevent from damages/scratches and discoloration.