



Assembly Instruction

ITEM NO: 9377GRY-RCPW

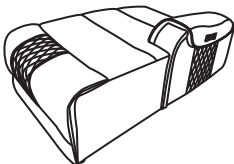
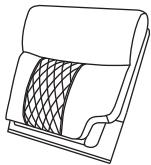
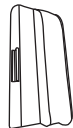


(2/6) Power Right Side Reclining Chaise



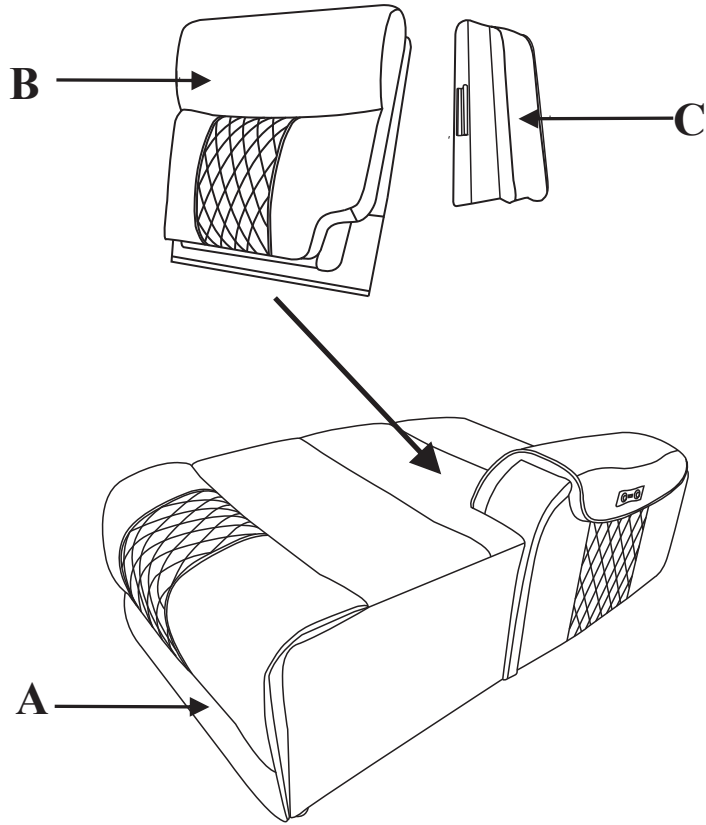
Adaptor set is located on the seat bracket, please take out for assembly.

NOTE: Do not use power tools for assembly. Power tools increase the risk of over tightening which leads to splitting or cracking the wood.

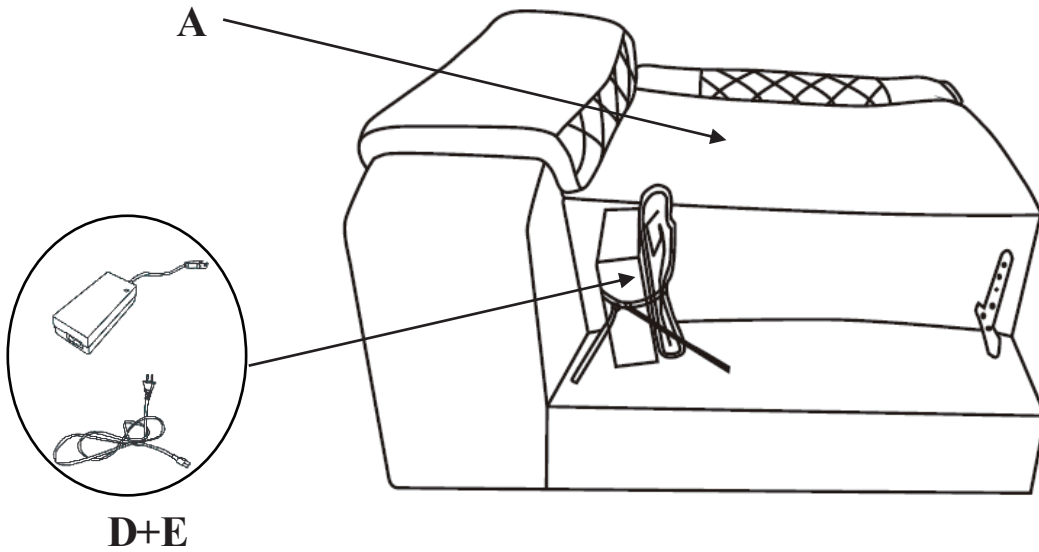
COMPONENT LIST

| NO. | DRAWING | QTY | DESCRIPTION |
|-----|-------------------------------------------------------------------------------------|-----|----------------|
| A |  | 1 | SEAT |
| B |  | 1 | BACK REST |
| C |  | 1 | RSF EAR |
| D |  | 1 | ADAPTOR |
| E |  | 1 | PLUG WITH WIRE |

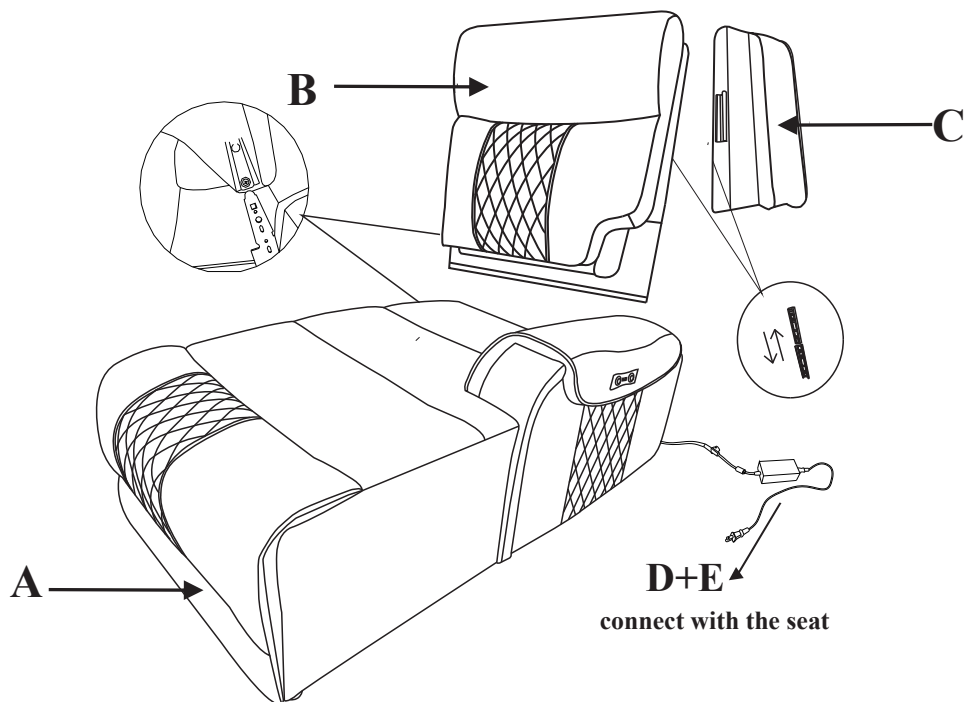
STEP# 1



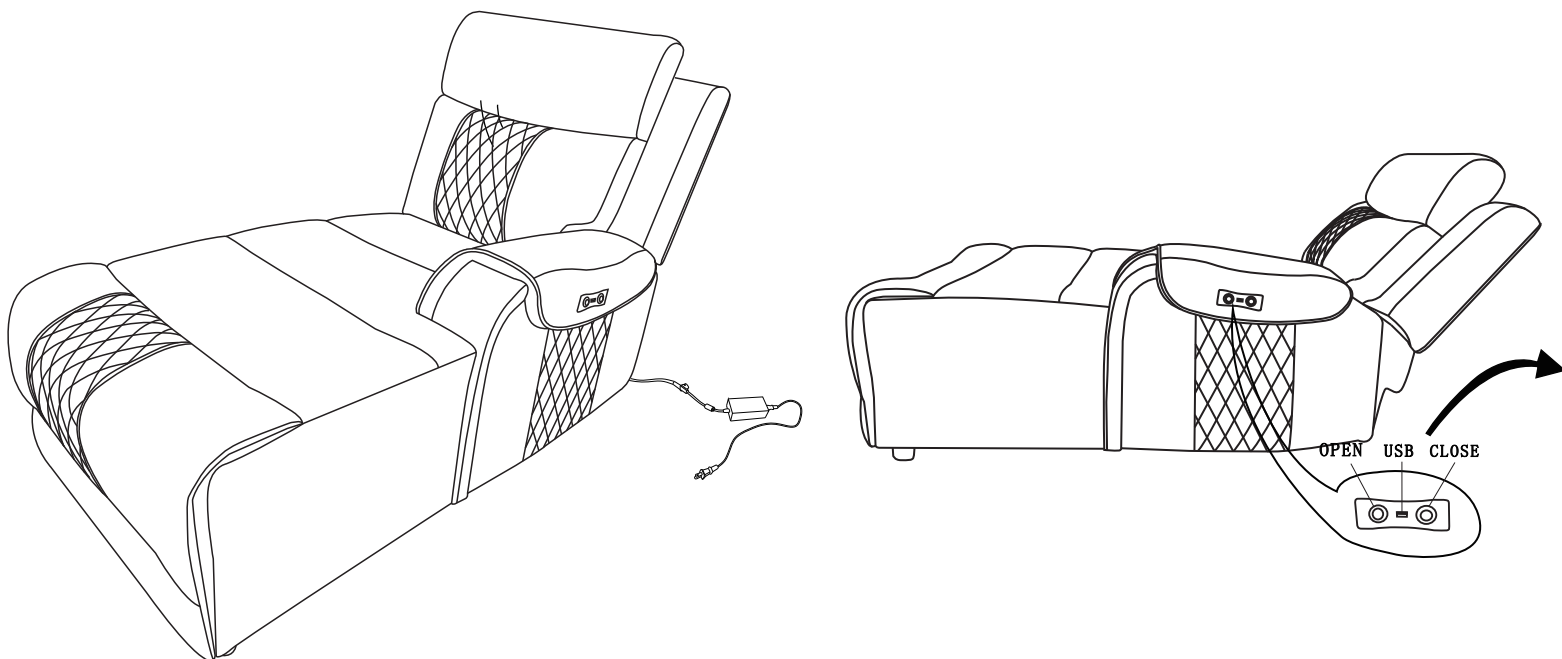
STEP# 2



STEP# 3



STEP# 4



①

LCPW

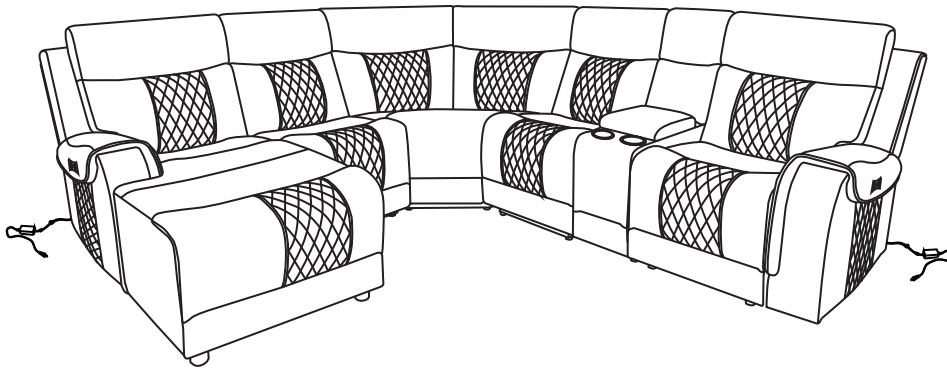
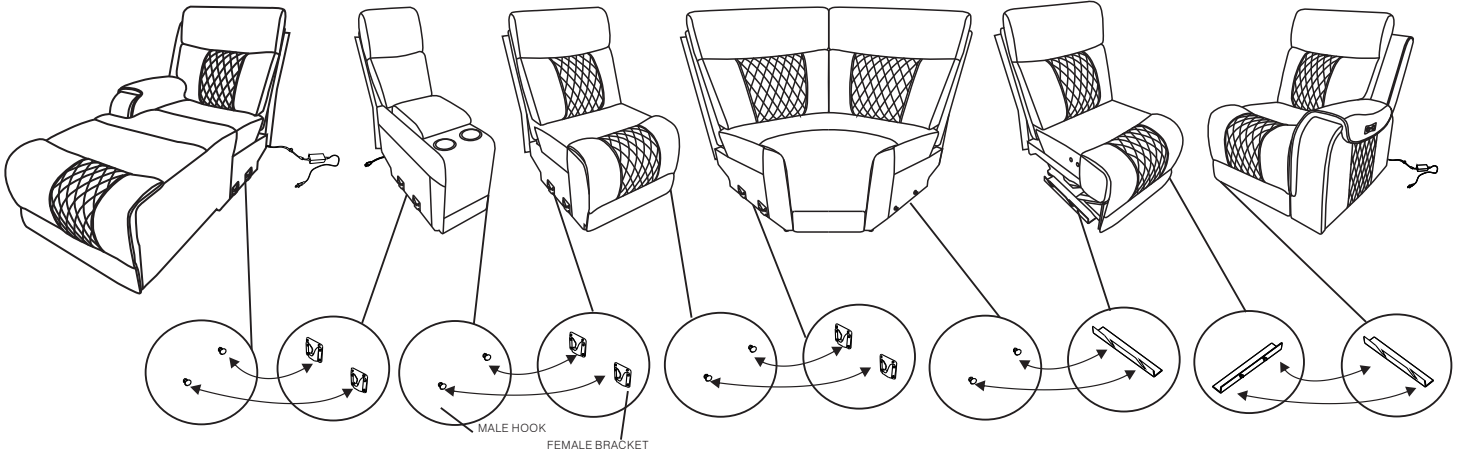
CN

AC

CR

ARPW

RRPW



②

LRPW

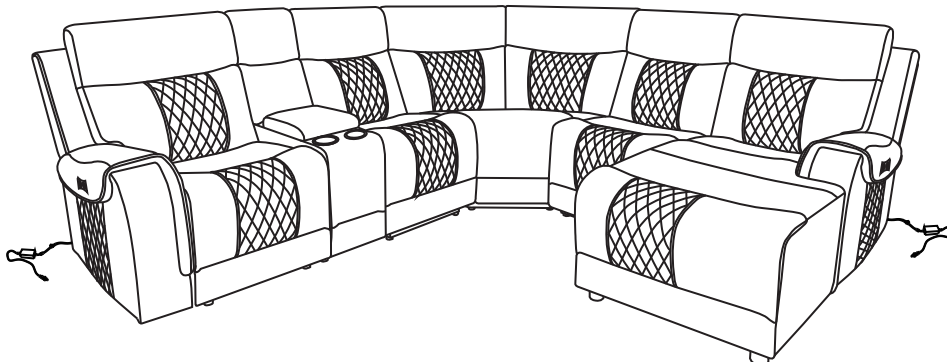
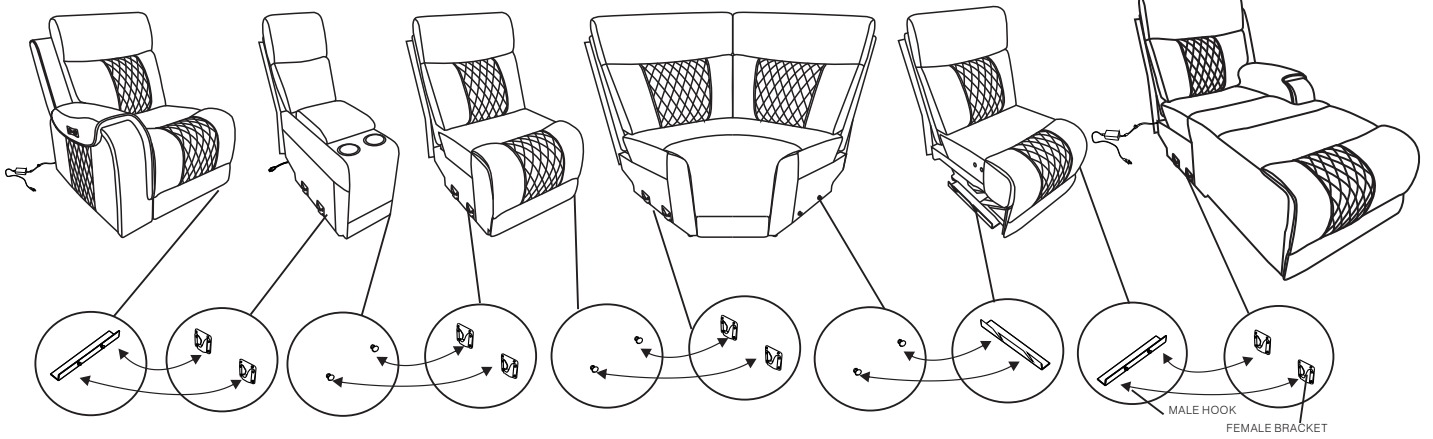
CN

AC

CR

ARPW

RCPW



Care Instruction for Leather air Furniture.

In order to maintain the original appearance of your leather air furniture, please follow below simple care procedures:

- Avoid exposing furniture directly to sunlight or heating and air conditioning outlets. Sunlight and/or exposure to heating and air conditioning outlets will fade/damage leather air.
- Do not place your upholstered furniture too close to windows, radiators, or vents, and be sure to use windows, radiators, or vents.
- Vacuum or wipe with a soft brush to remove dust.



For items use on wooden floor, hard surfaces or carpets, it is recommended to install protective pads under all legs and supports to avoid/prevent from damages/scratches and discoloration.

Warning

Do not allow electrical cord to be pinched between moving parts or between the frame and the floor. Do not place cord under carpet or in location where it could become worn.