



# Assembly Instruction

ITEM NO:9377GRY-AC  
(3/6) ARMLESS CHAIR

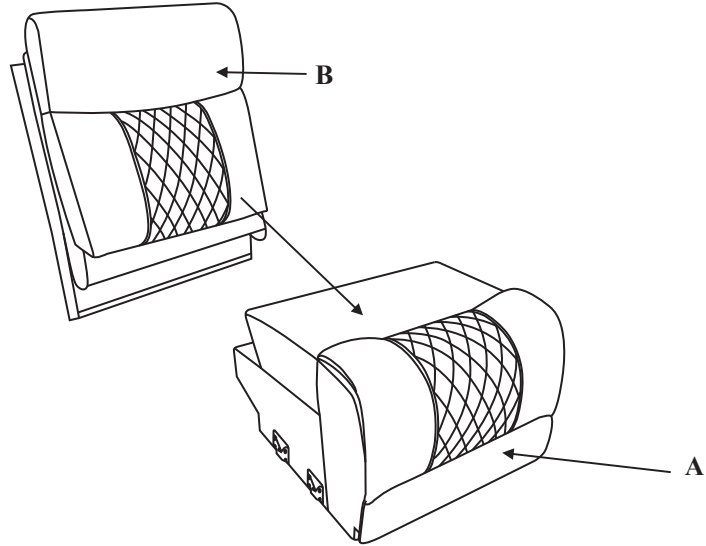


The back rest is placed on the seat, Pls take out for assembly  
**NOTE: Do not use power tools for assembly. Power tools increase the risk of over tightening which leads to splitting or cracking the wood.**

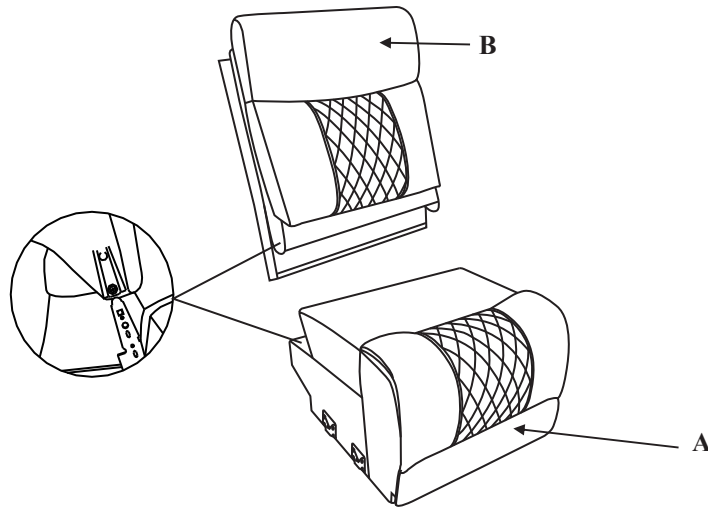
## COMPONENT LIST

NO.	DRAWING	QTY	DESCRIPTION
A	A line drawing of a chair seat, showing a rectangular shape with a mesh-like texture on the backrest area and a small latch on the side.	1	SEAT
B	A line drawing of a chair backrest, showing a rectangular shape with a mesh-like texture and a small latch on the side.	1	BACK REST

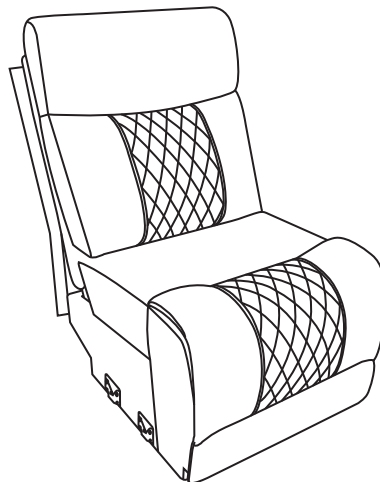
**STEP# 1**



**STEP# 2**



**STEP# 3**



①

LCPW

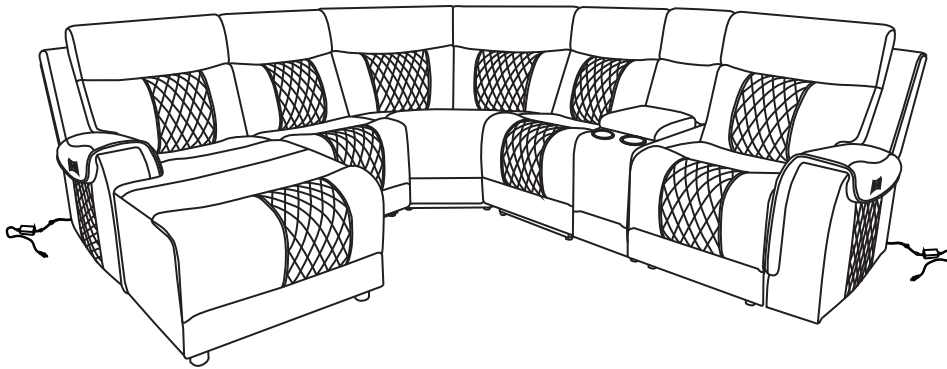
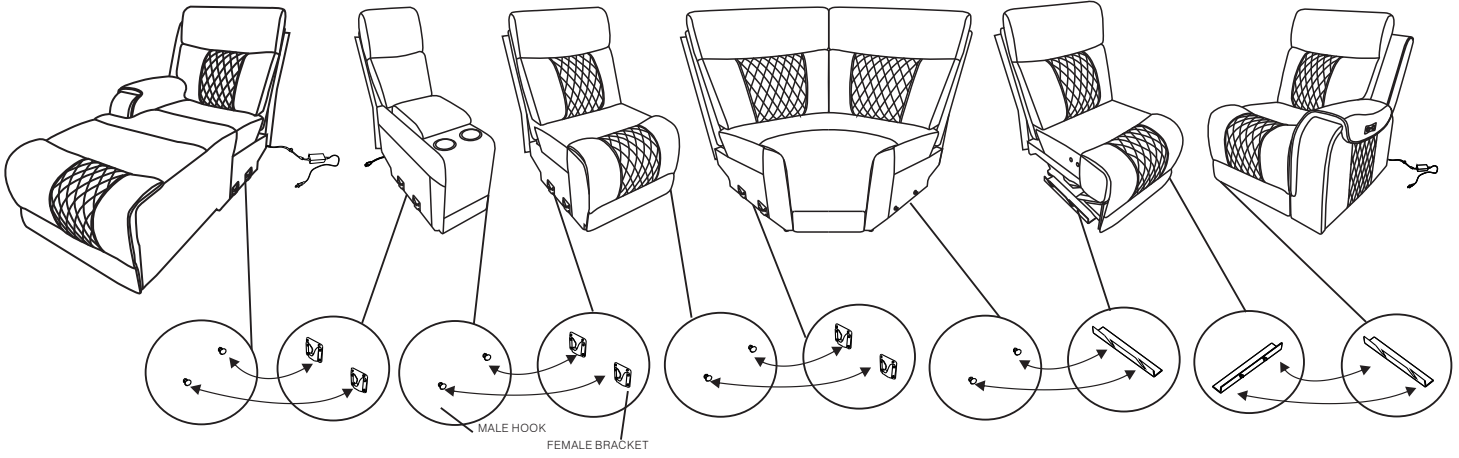
CN

AC

CR

ARPW

RRPW



②

LRPW

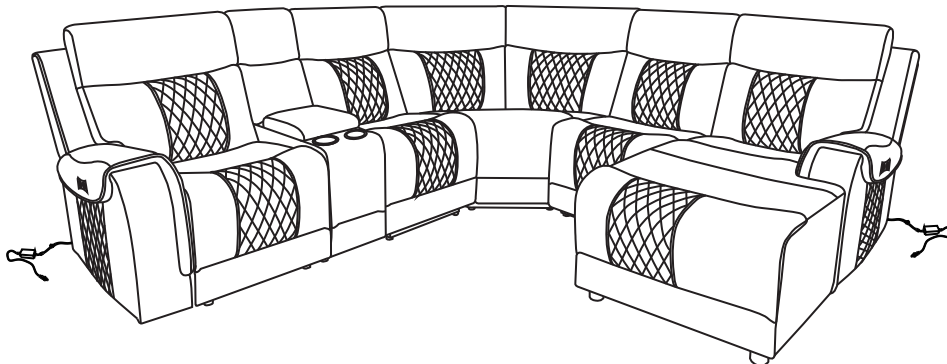
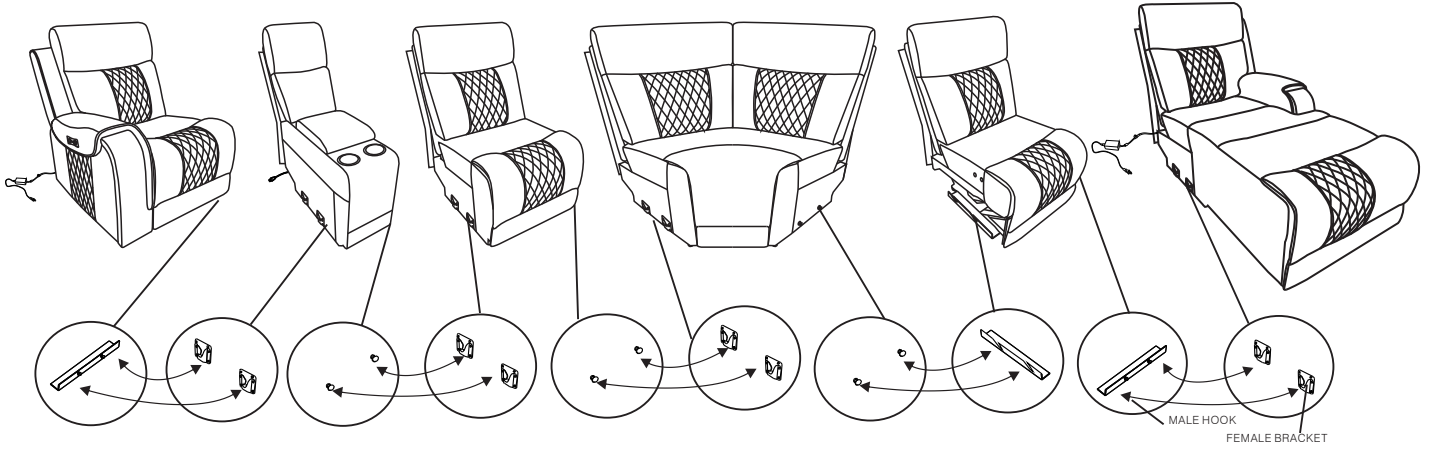
CN

AC

CR

ARPW

RCPW



## **Care Instruction for Leather air Furniture.**

In order to maintain the original appearance of your leather air furniture, please follow below simple care procedures:

- Avoid exposing furniture directly to sunlight or heating and air conditioning outlets. Sunlight and/or exposure to heating and air conditioning outlets will fade/damage leather air.
- Do not place your upholstered furniture too close to windows, radiators, or vents, and be sure to use windows, radiators, or vents.
- Vacuum or wipe with a soft brush to remove dust.



**For items use on wooden floor, hard surfaces or carpets, it is recommended to Install protective pads under all legs and supports to avoid/prevent from damages/scratches and discoloration.**