



ASSEMBLY INSTRUCTION

ITEM NO.:9367BU/DG/GY-3

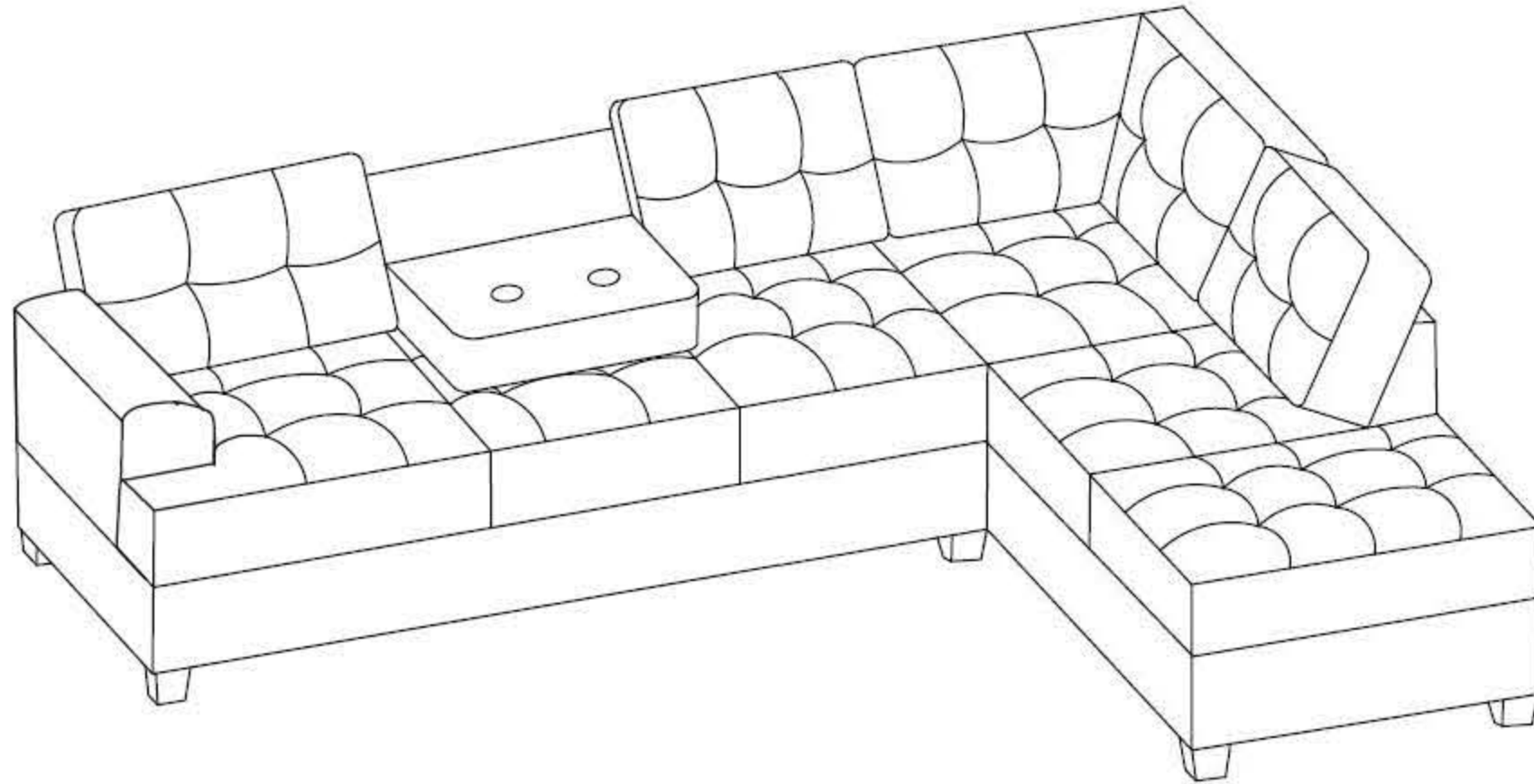
(1/2) Reversible 3-seater with Drop-Down Cup holder

9367BU/DG/GY-5

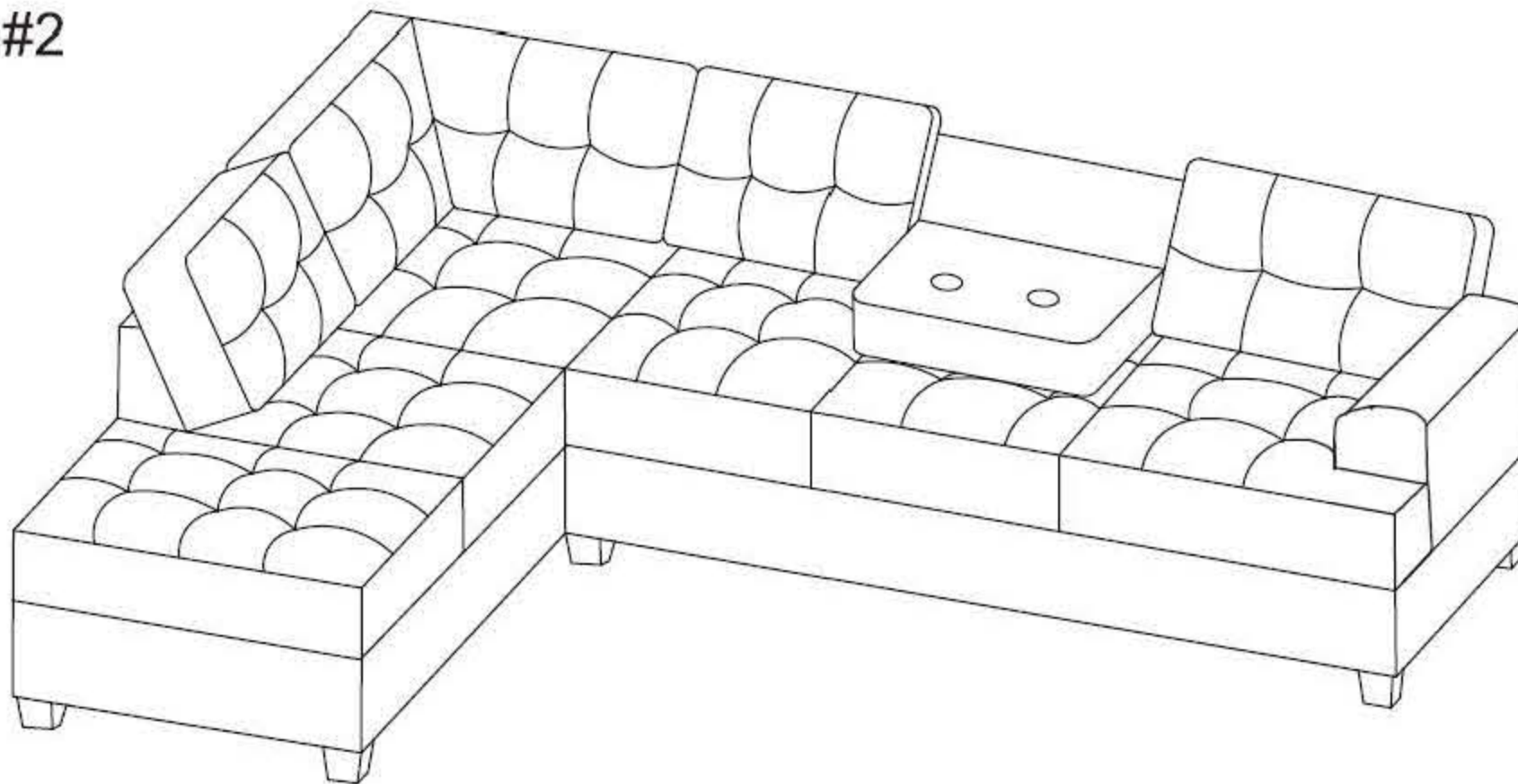
(2/2) Reversible Chaise

Sectional can be assembled with right side facing chaise (configuration #1) or left side facing chaise (configuration #2) . See instructions below.

Configuration#1




Configuration#2



CARE INSTRUCTION FOR LINEN LIKE FURNITURE:

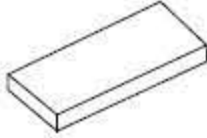



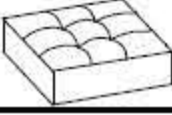


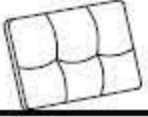







In order to maintain the original appearance of your linen like furniture, please follow below care procedures:

- Avoid exposing furniture directly to sunlight or heating and air conditioning outlets. Sunlight and / or exposure to heating and air conditioning outlets will fade/damage linen like. Do not place your upholstered furniture too close to windows, radiators, or vents, and be sure to use window treatments to block the sun's rays.
- Vacuum or wipe with a soft cloth regularly to remove dust.

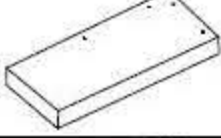
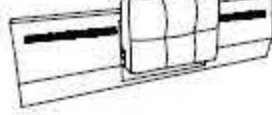



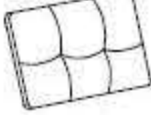






 For items use on wooden floor, hard surfaces or carpets, it is recommended to Install protective pads under all legs and supports to avoid/prevent from damages/scratches and discoloration.



-5 CHAISE COMPONENT LIST

NO.	DRAWING	QTY	DESCRIPTION
A		1	CHAISE SEAT
B		1	CHAISE BACK REST
C		1	BACK CORNER
D		1	SIDE CHAISE BACK REST
E1		1	REAR SEAT CUSHION
E2		1	MIDDLE SEAT CUSHION
E3		1	FRONT SEAT CUSHION
F1		1	FRONT BACK CUSHION
F2		1	MIDDLE BACK CUSHION
F3		1	REAR BACK CUSHION
G		4	PLASTIC LEG 100*100*80MM
H		4	FLAT WASHER $\phi 5/16''$ X 22MM
I		4	NUT $\phi 5/16''$ X 12MM
J		4	BOLT $\phi 5/16''$ X 90MM
K		1	OPEN WRENCH

-3 SEATER COMPONENT LIST

NO.	DRAWING	QTY	DESCRIPTION
M		1	3-SEATER SEAT
N		1	BACK REST WITH MIDDLE BACK CUSHION
O		1	ARM
S		1	3-SEATER SEAT CUSHION
P		2	3-SEATER SEAT CUSHION (MIDDLE)
Q		2	3-SEATER BACK CUSHION
G		4	PLASTIC LEG 100*100*80MM
H		5	FLAT WASHER $\phi 5/16''$ X 22MM
I		5	NUT $\phi 5/16''$ X 12MM
J		5	BOLT $\phi 5/16''$ X 90MM
K		1	OPEN WRENCH
L		2	METAL CONNECTOR

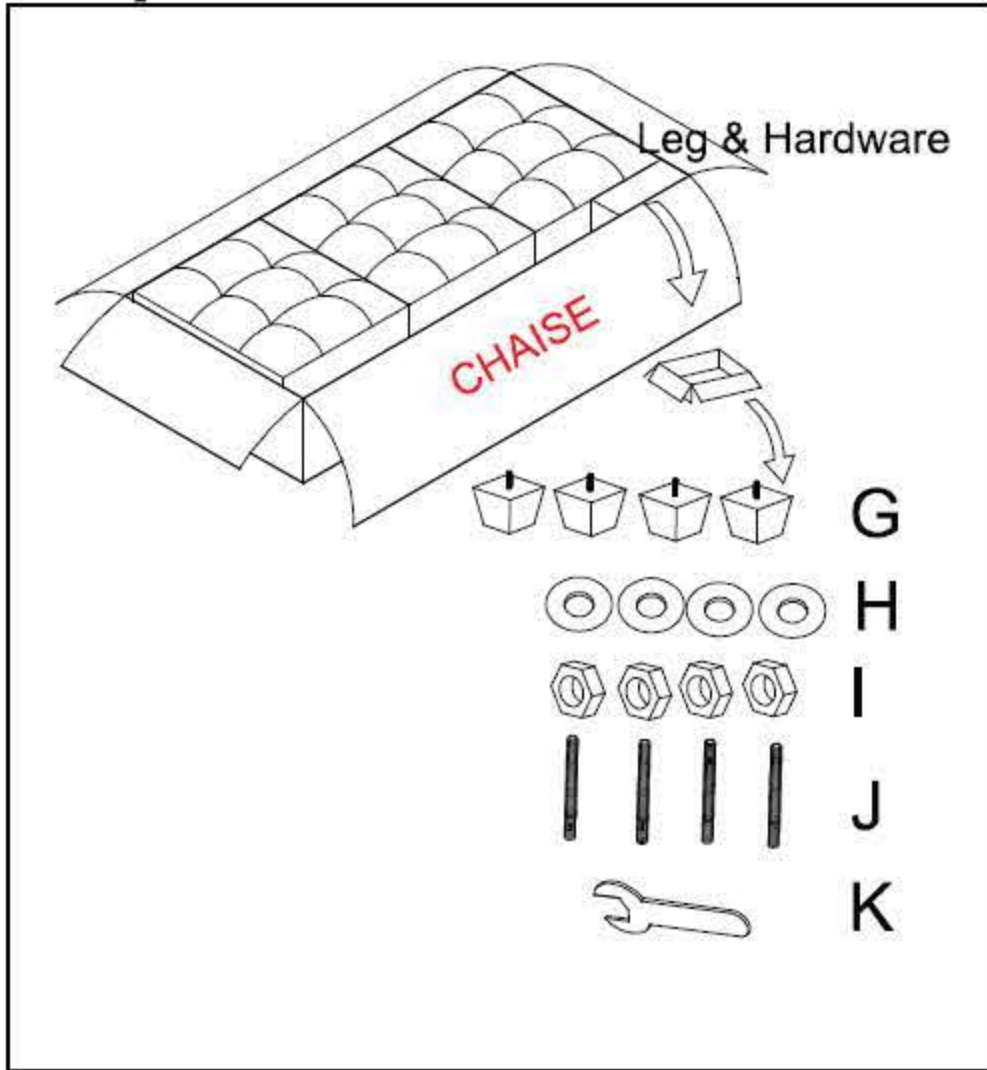
OPTION1

Please follow the drawings below to assemble the item.

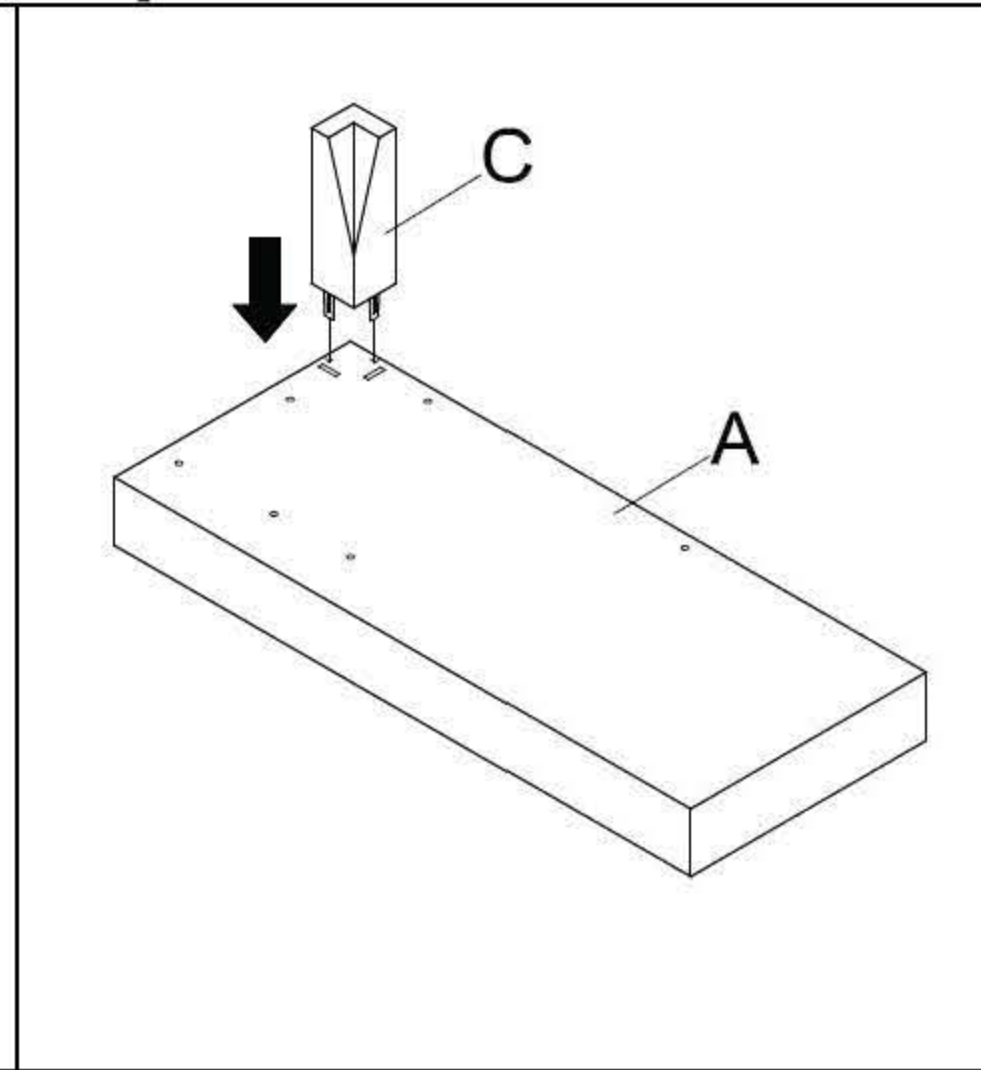
Legs and hardware are stored in small carton box as shown in drawing, please take out for assembly.

CHAISE ASSEMBLY

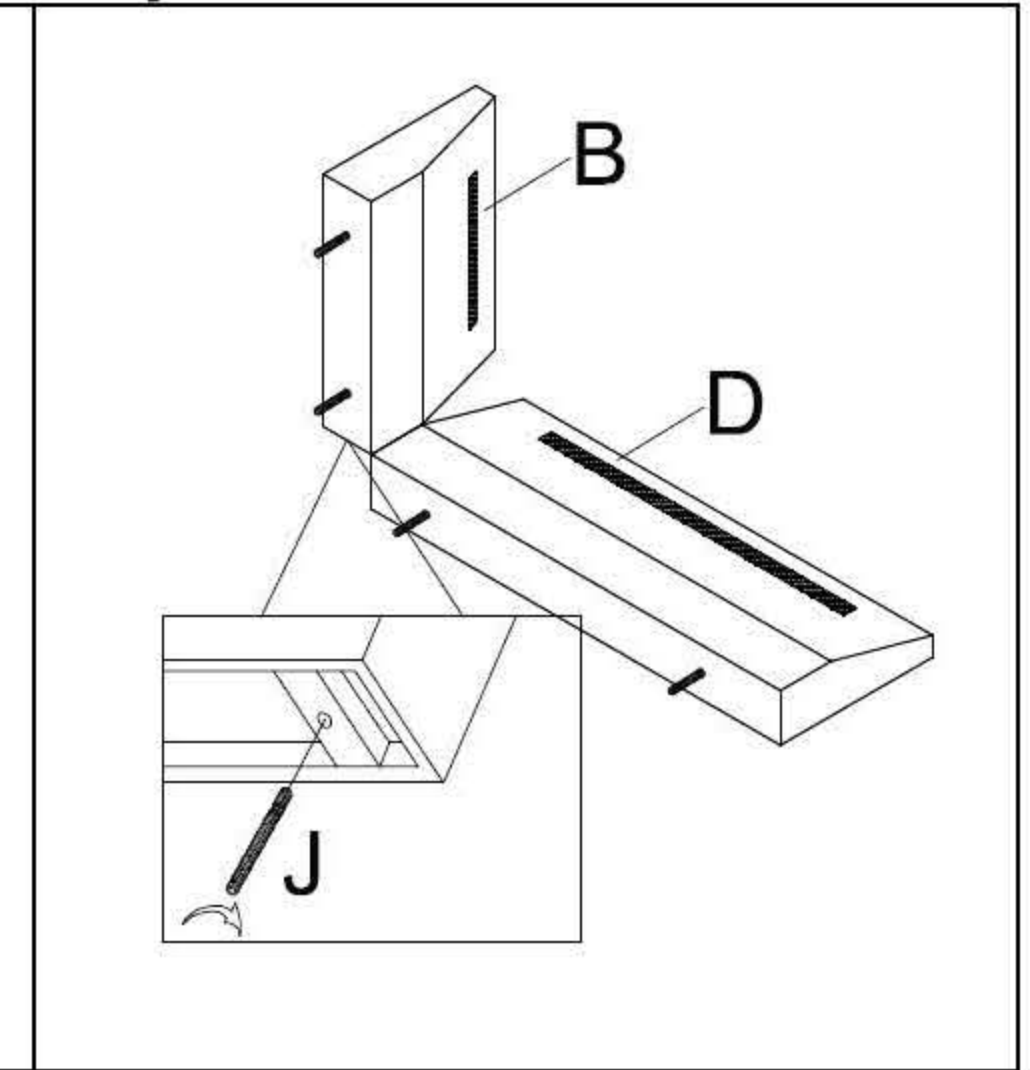
Step 1



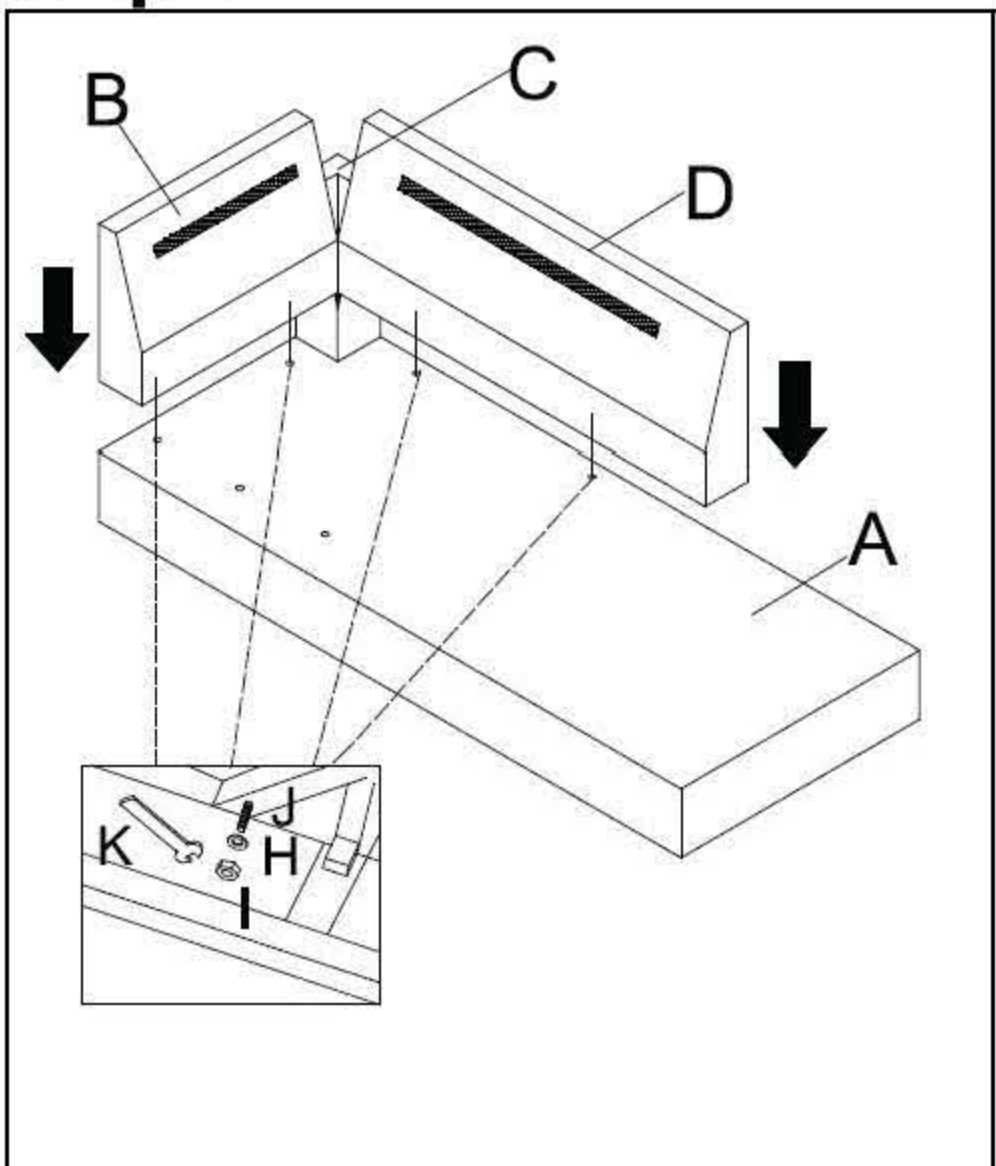
Step 2



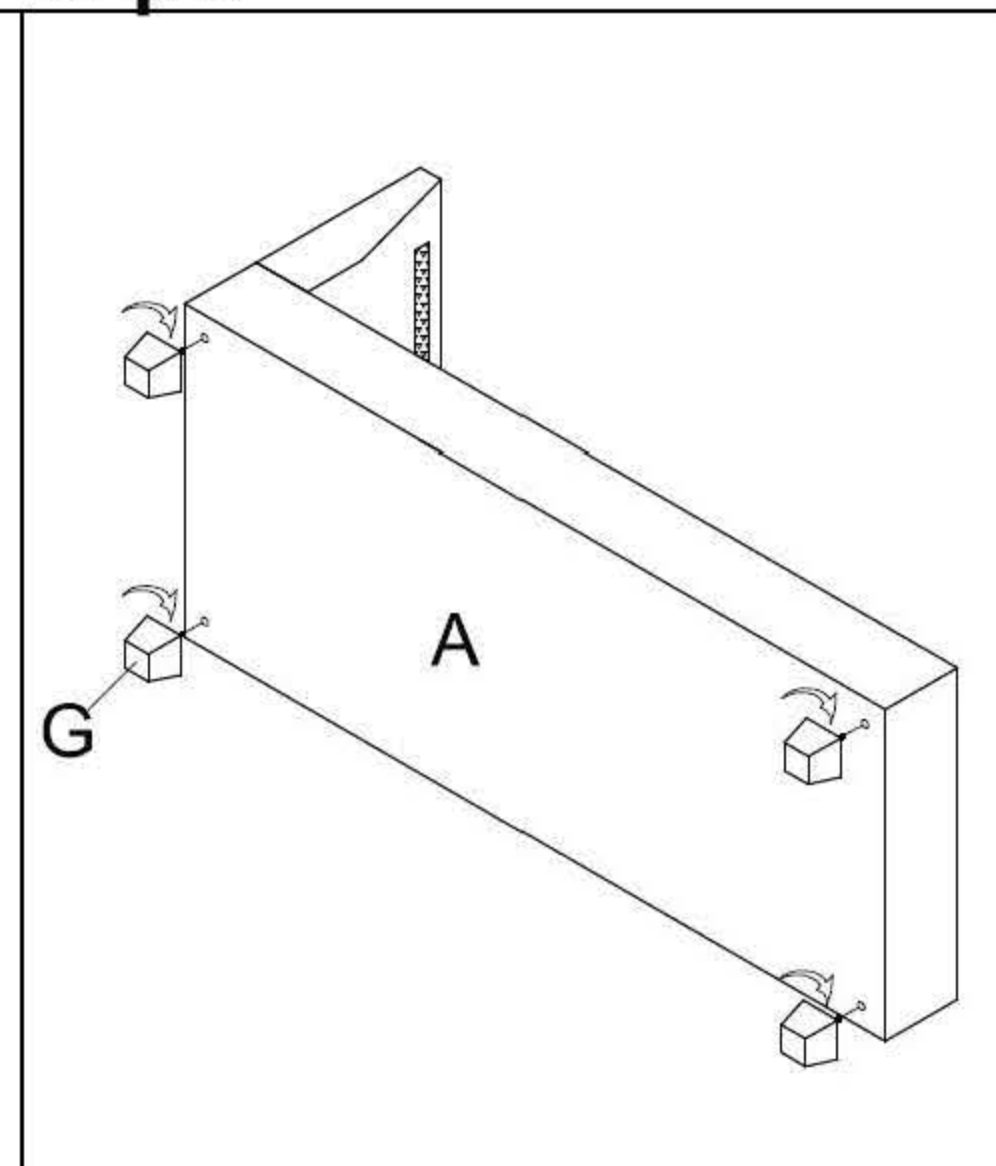
Step 3



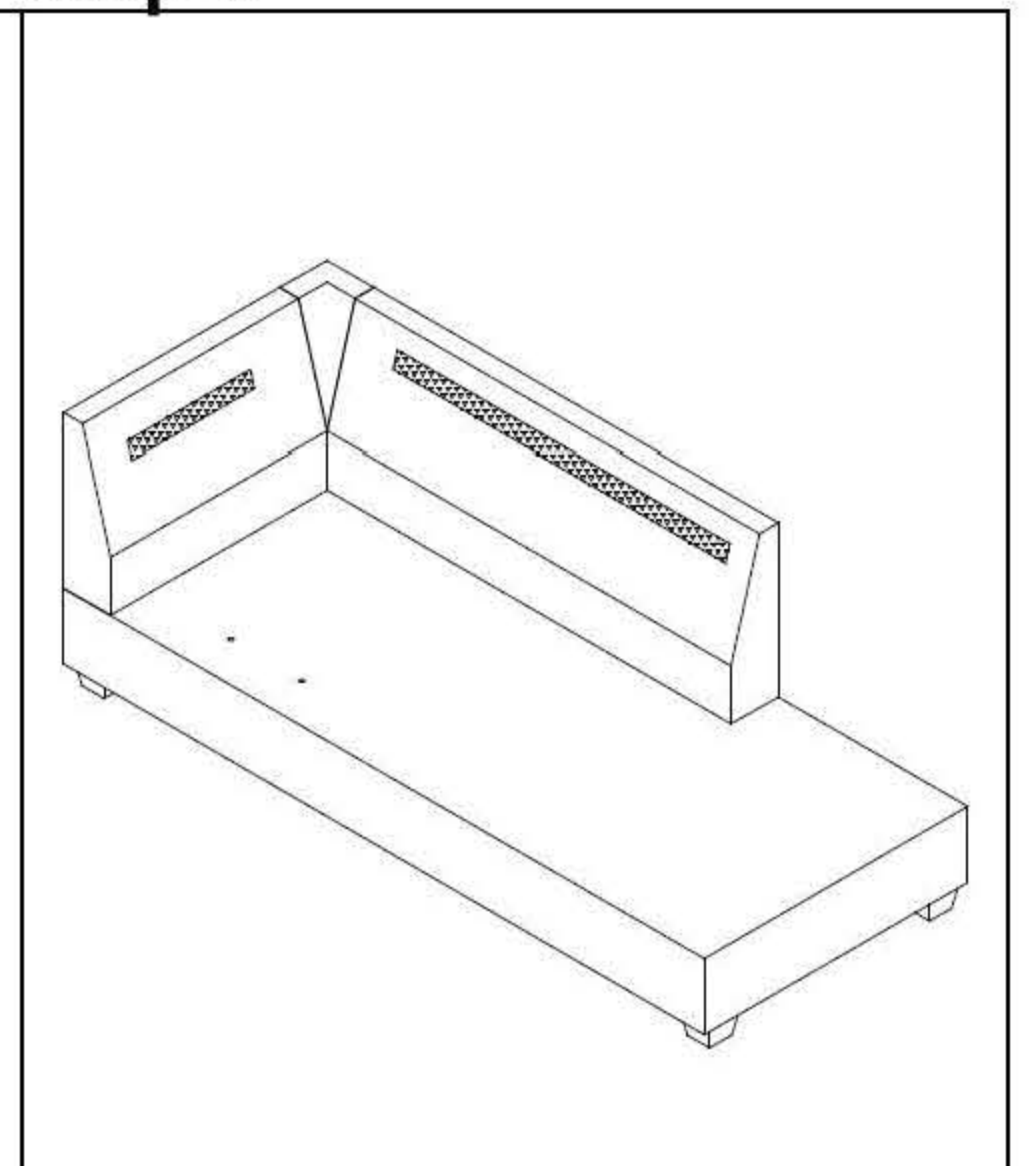
Step 4



Step 5

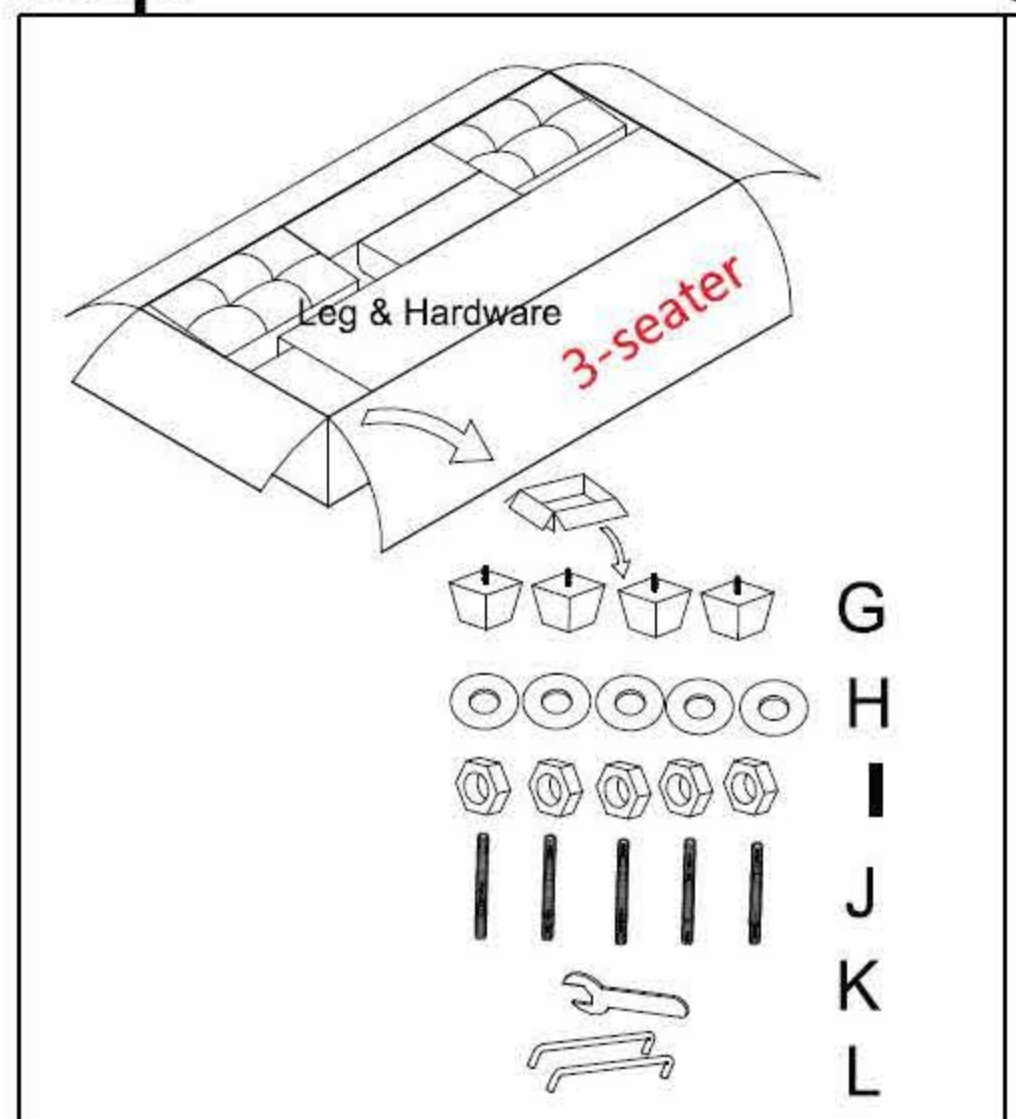


Step 6

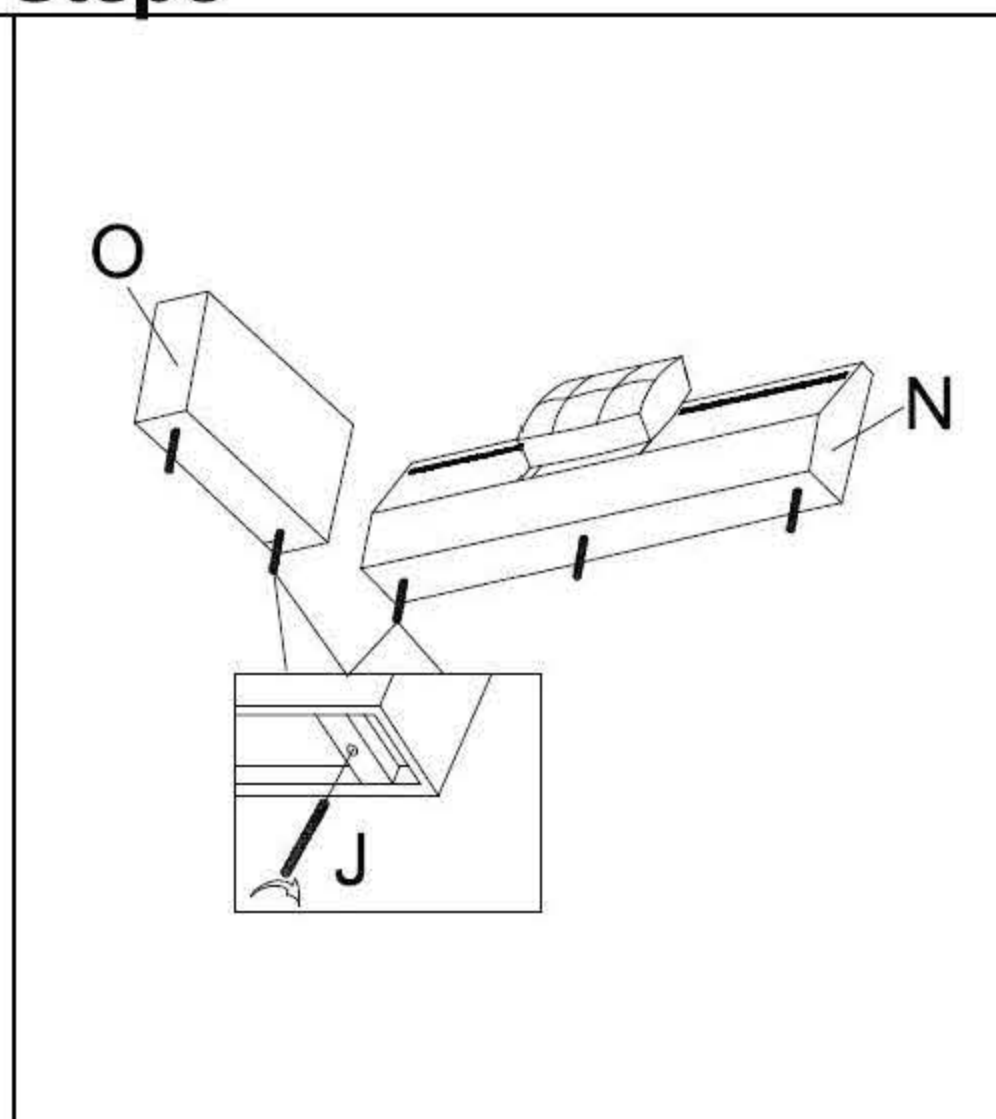


3 SEATER ASSEMBLY

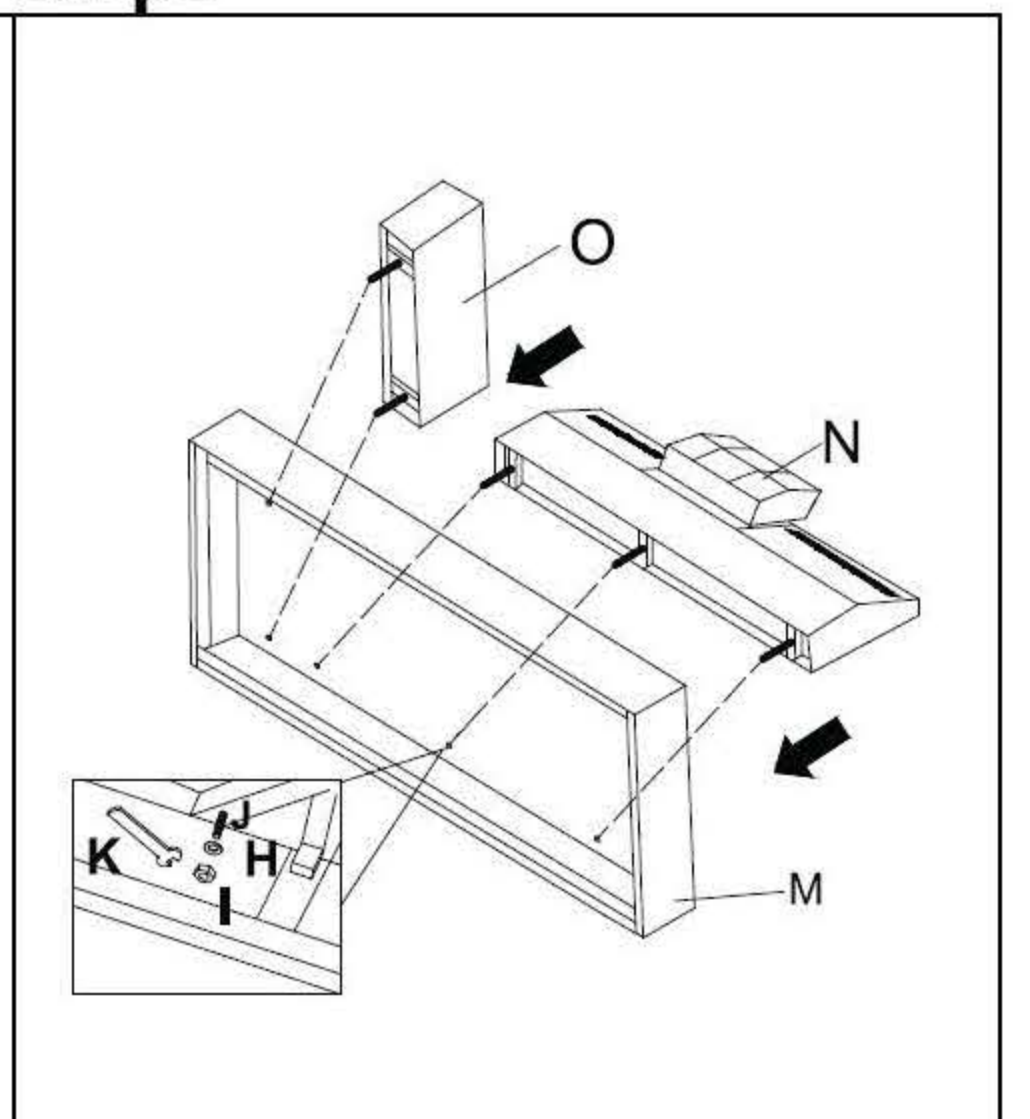
Step7



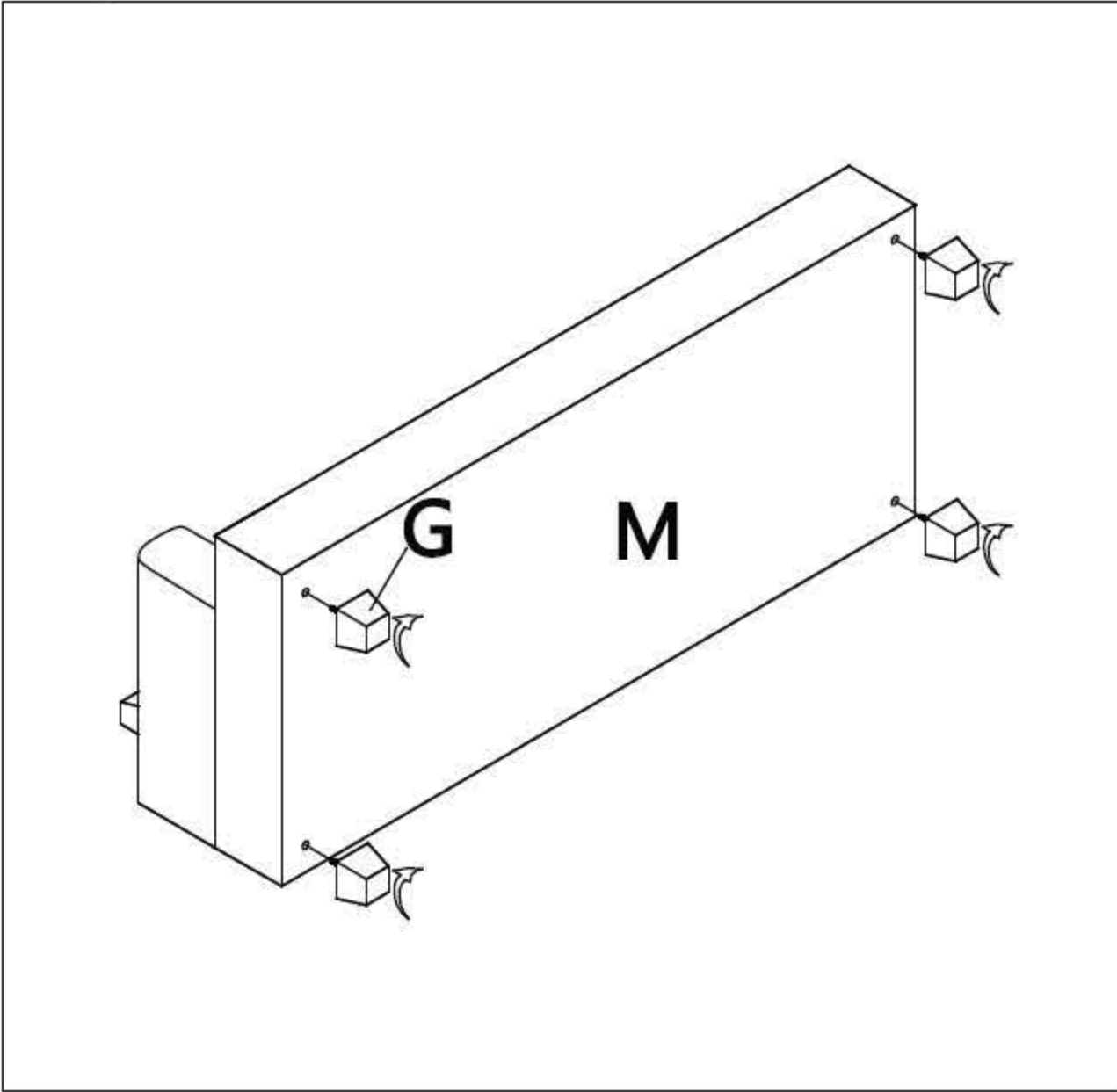
Step8



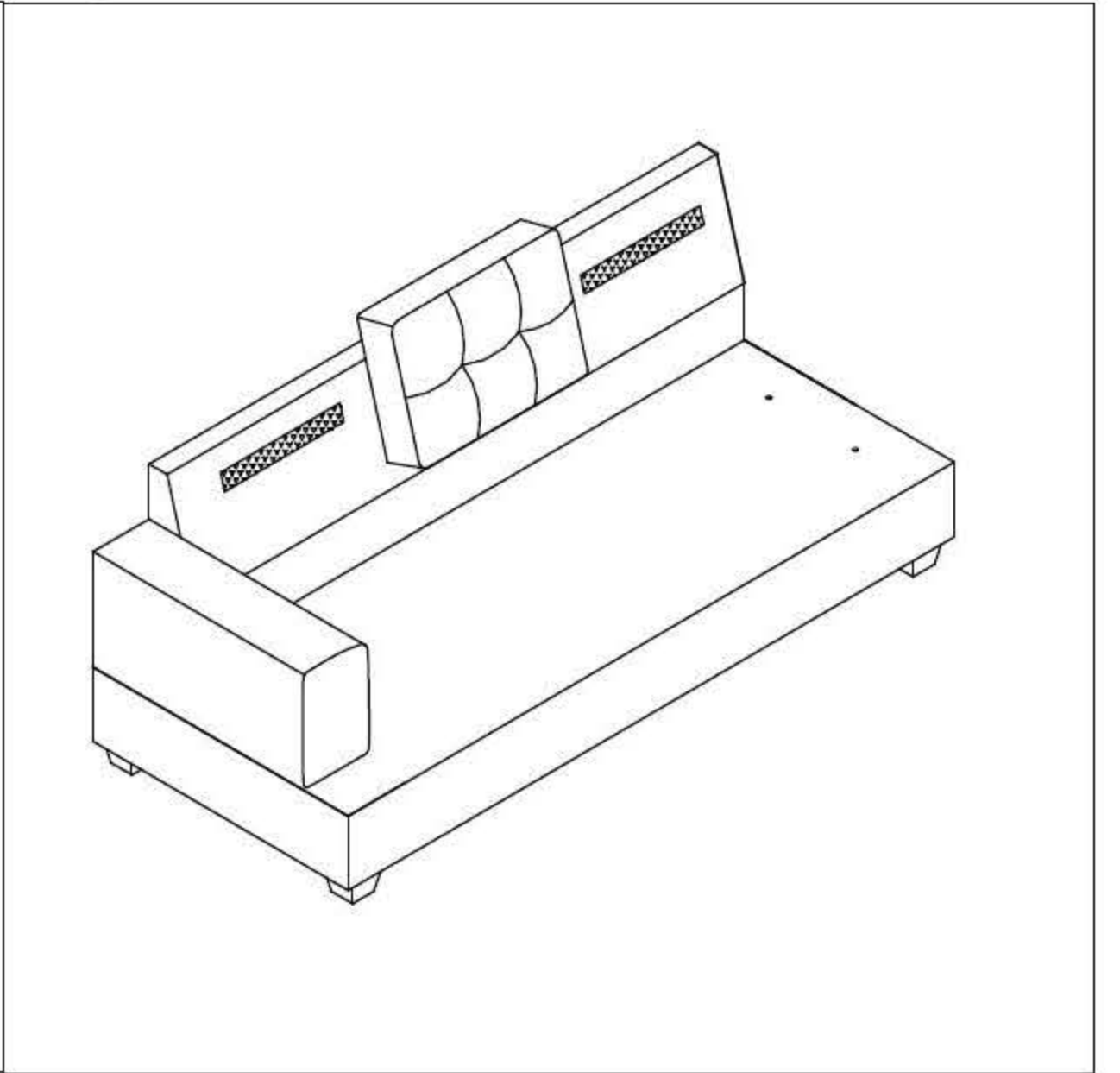
Step9



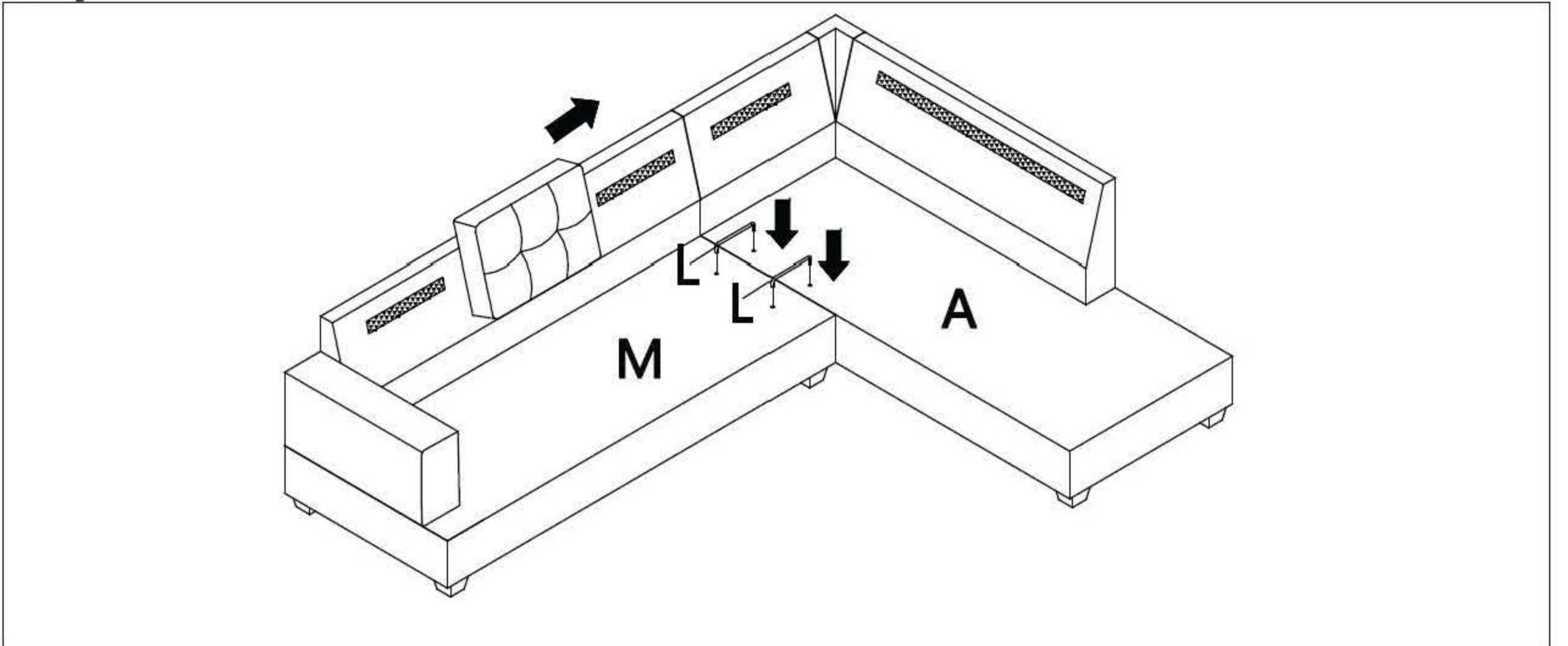
Step10



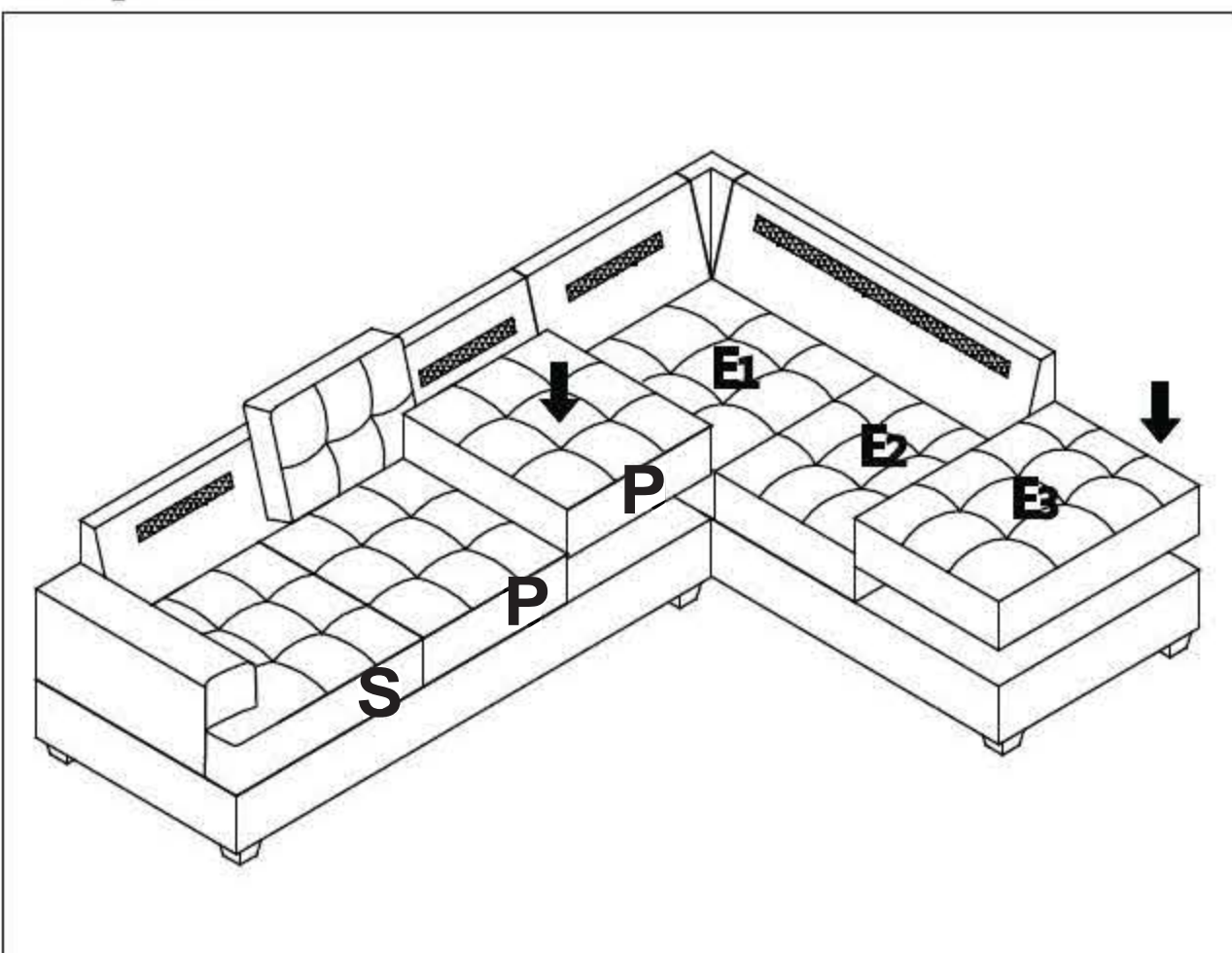
Step11



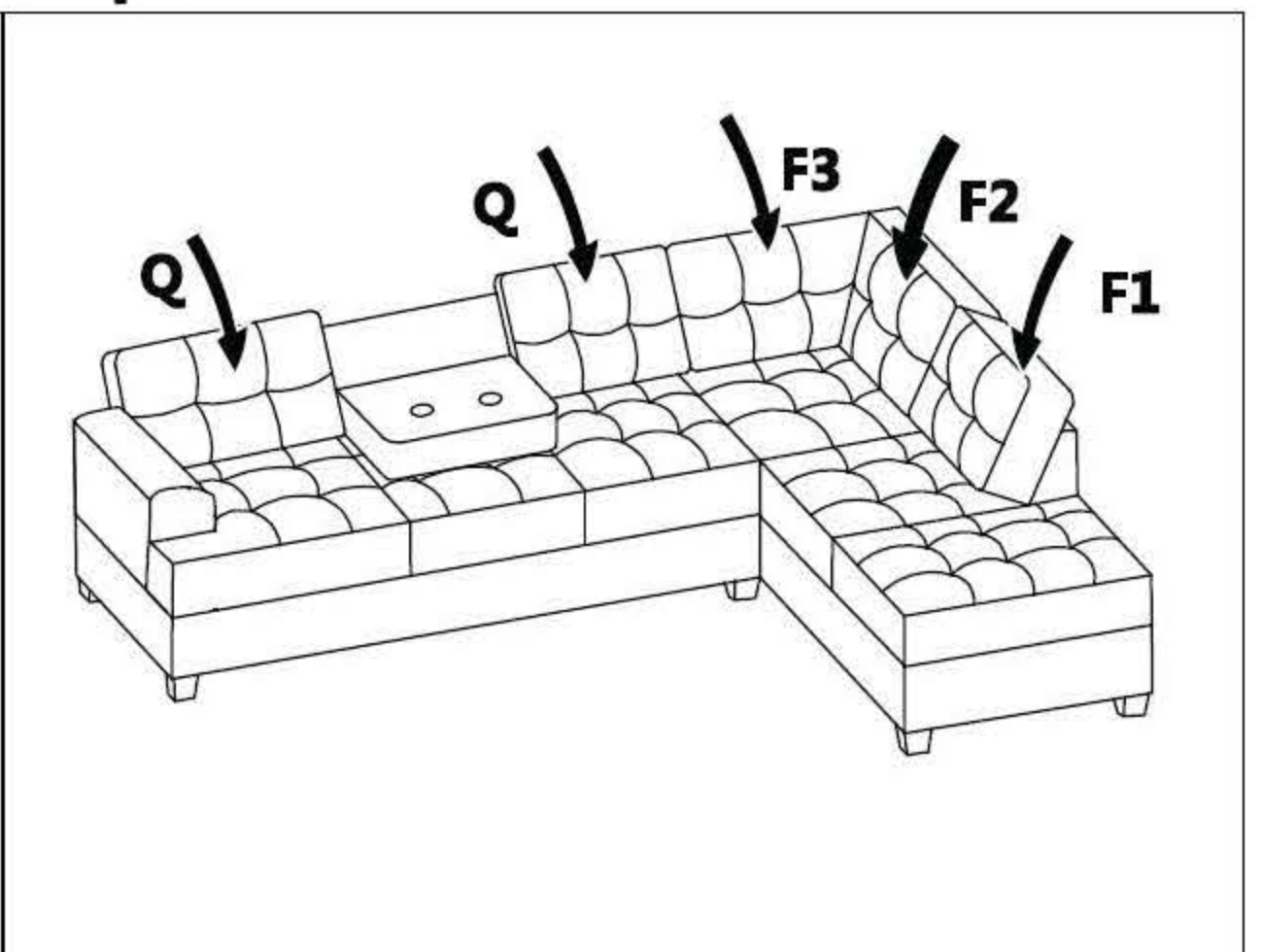
Step12



Step13



Step 14



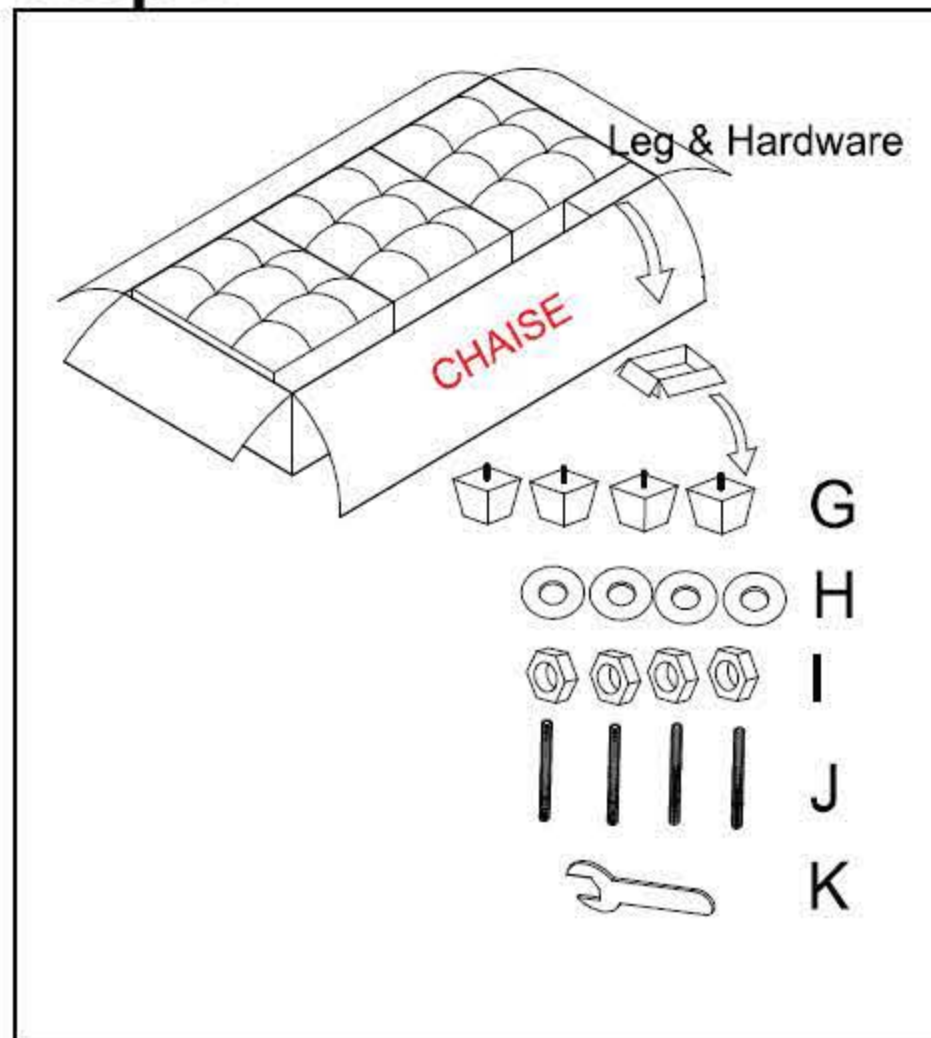
OPTION 2

Please follow the drawings below to assemble the item.

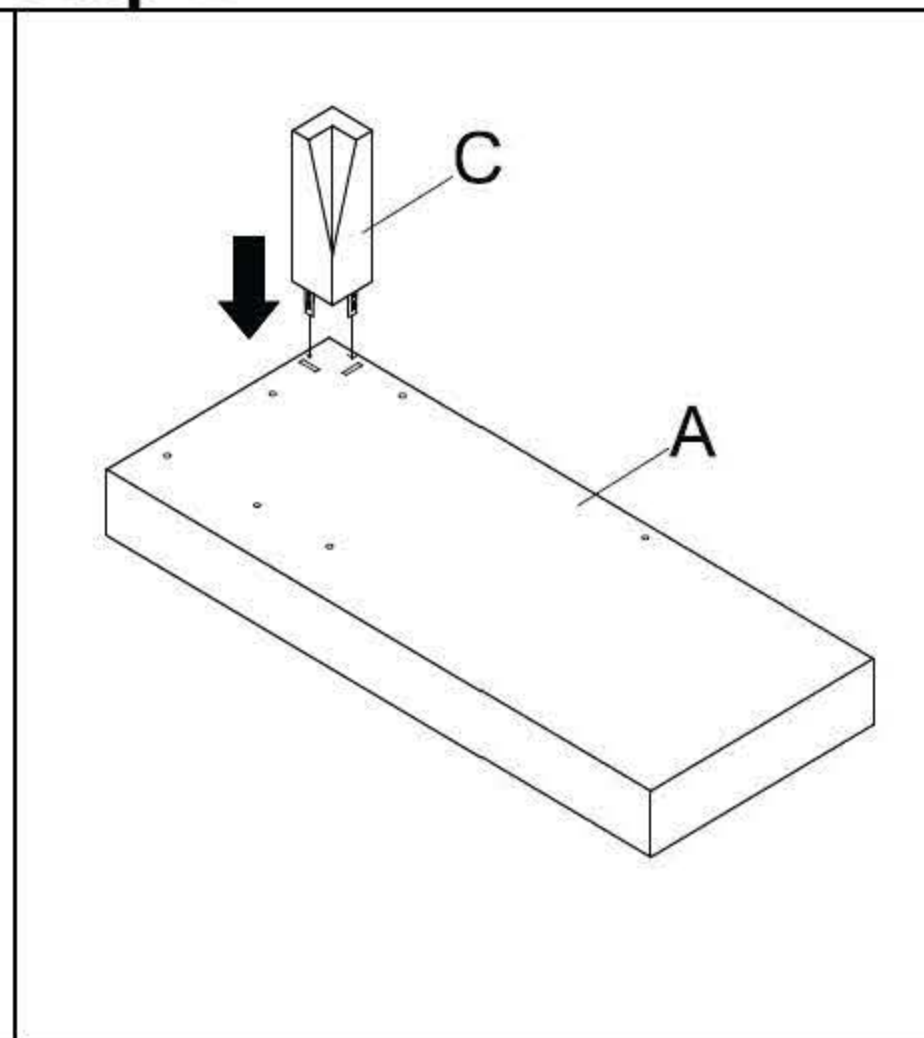
Legs and hardware are stored in small carton box as shown in drawing, please take out for assembly.

CHAISE ASSEMBLY

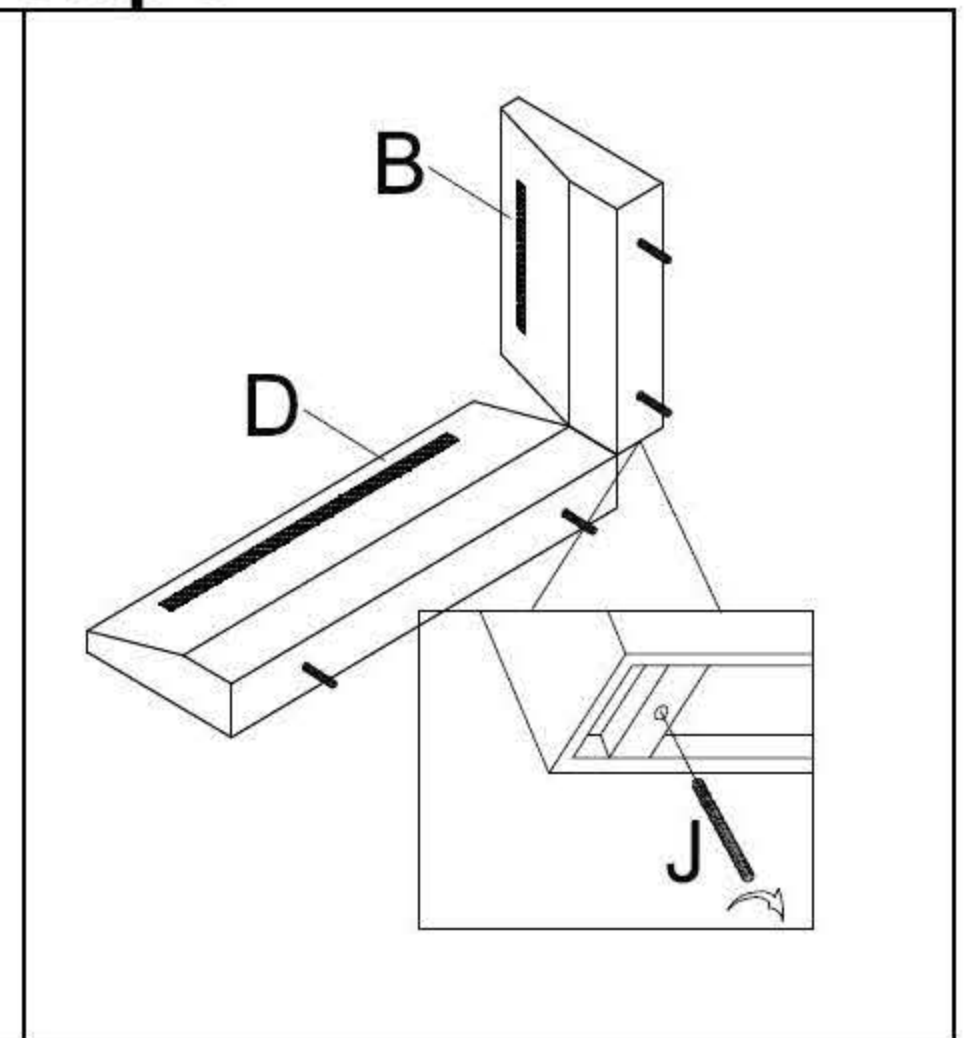
Step 1



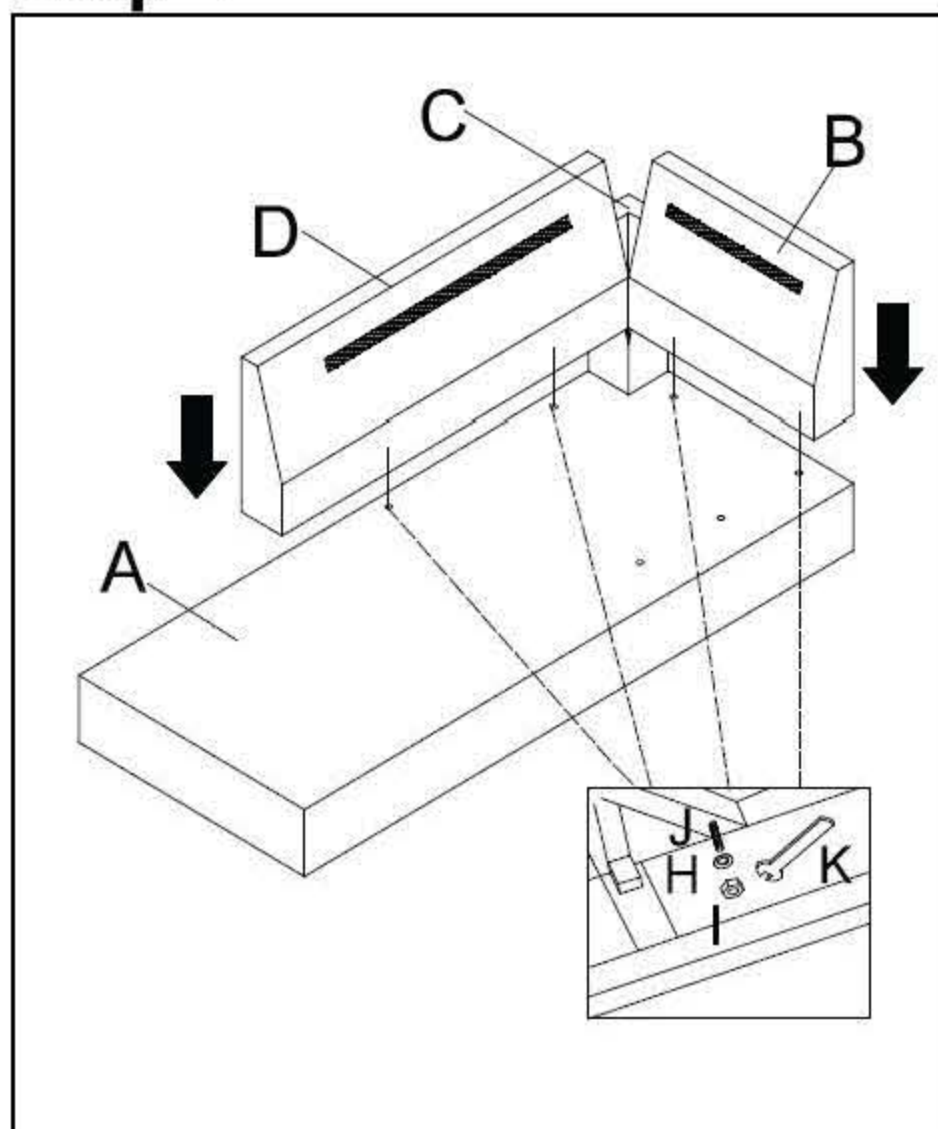
Step 2



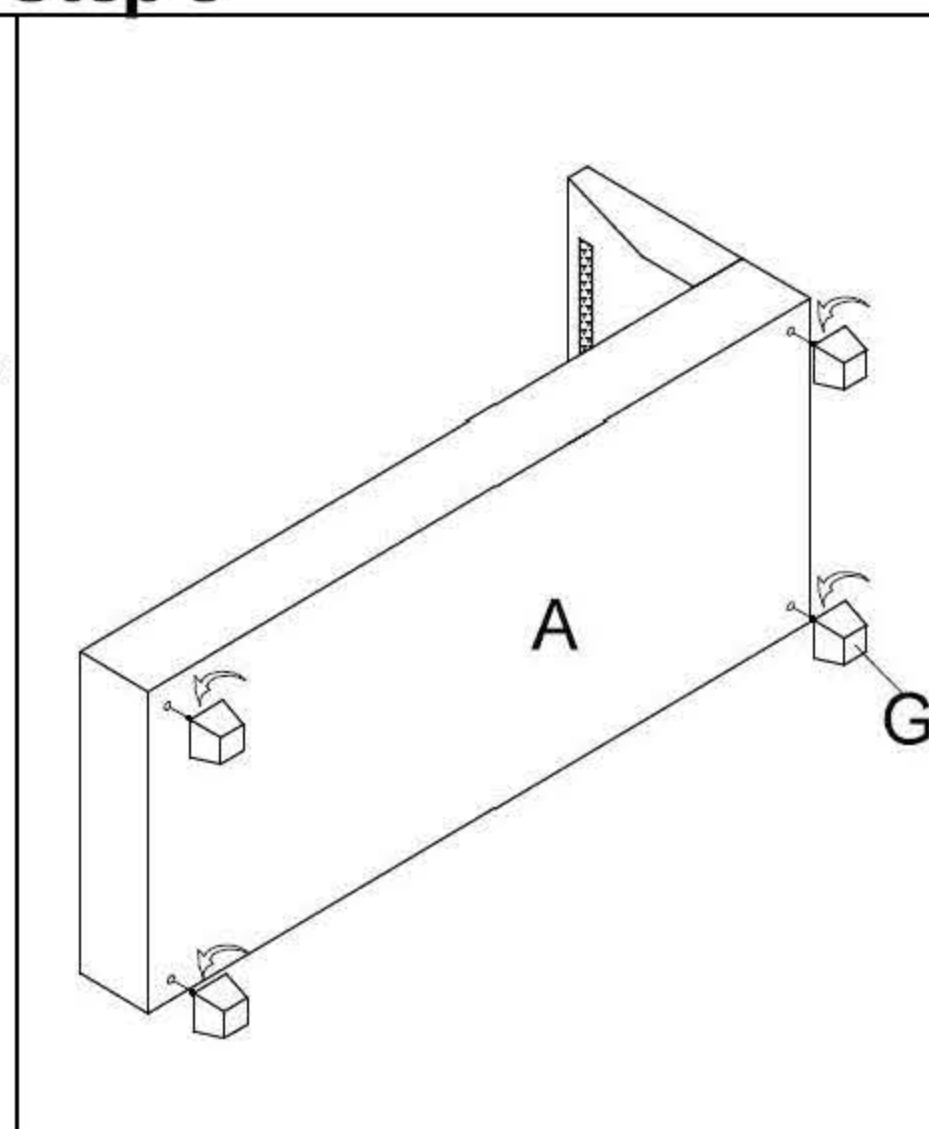
Step 3



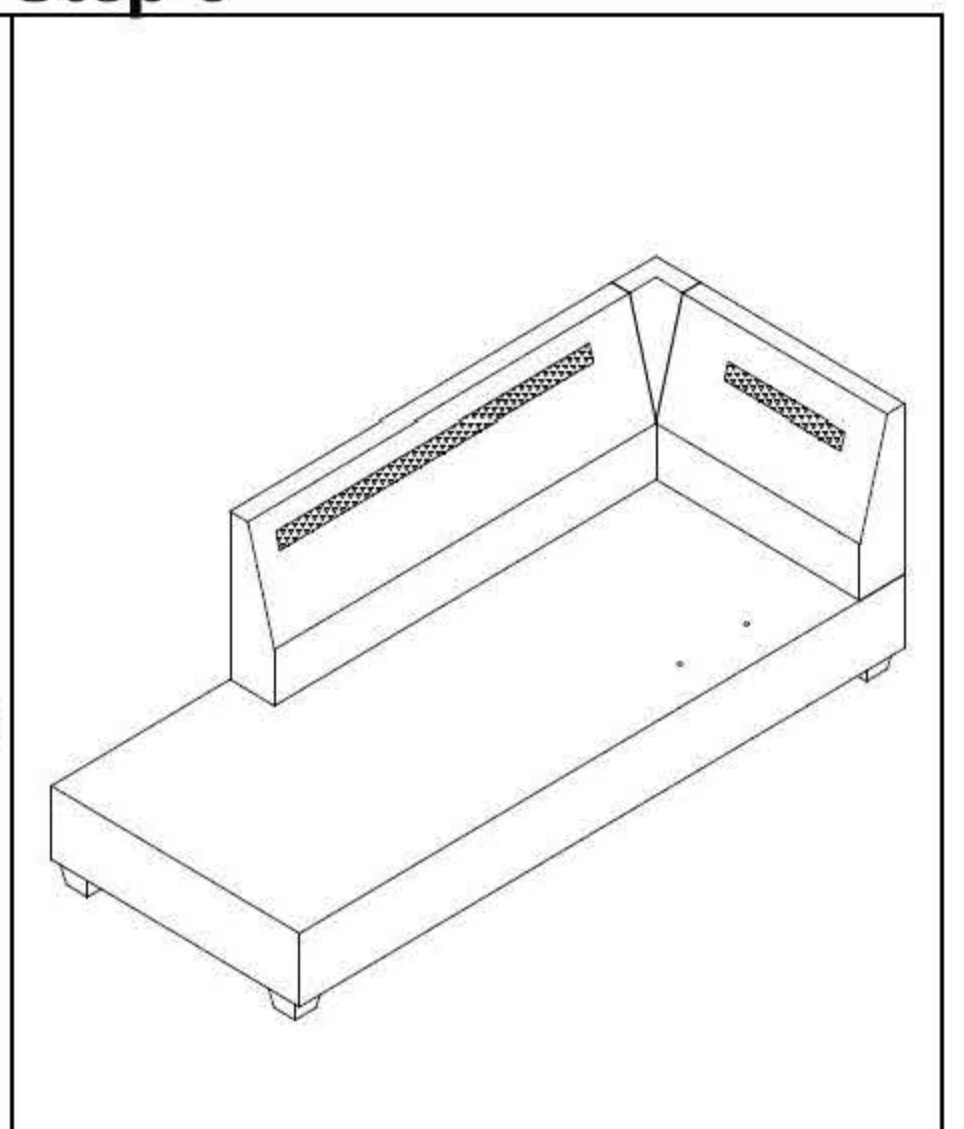
Step 4



Step 5

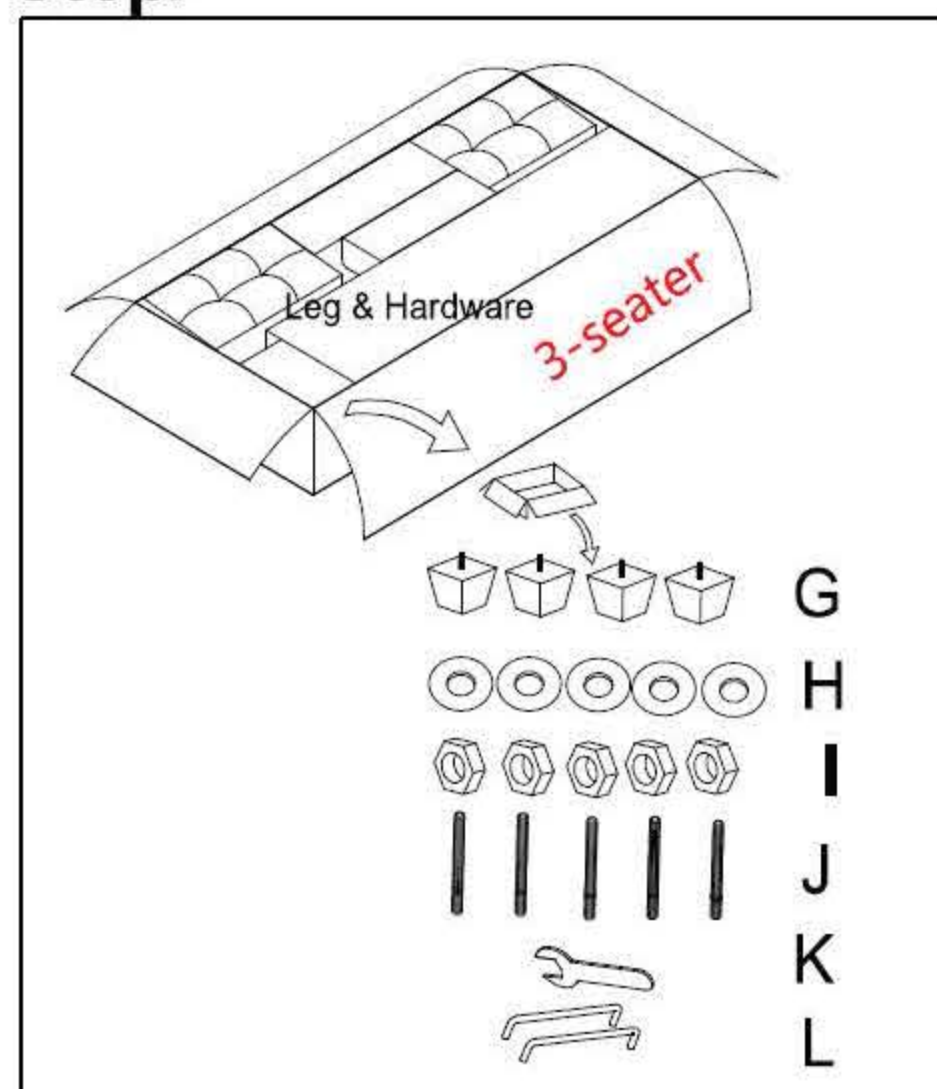


Step 6

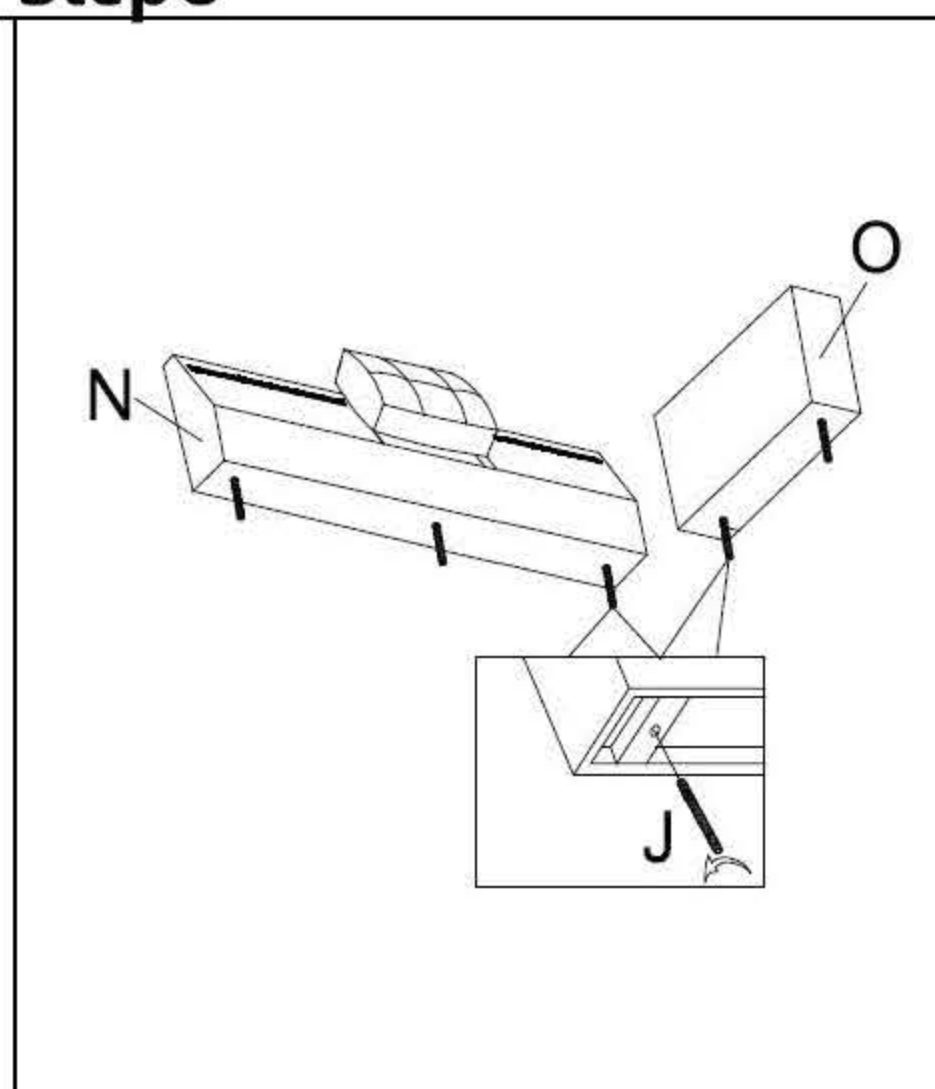


3 SEATER ASSEMBLY

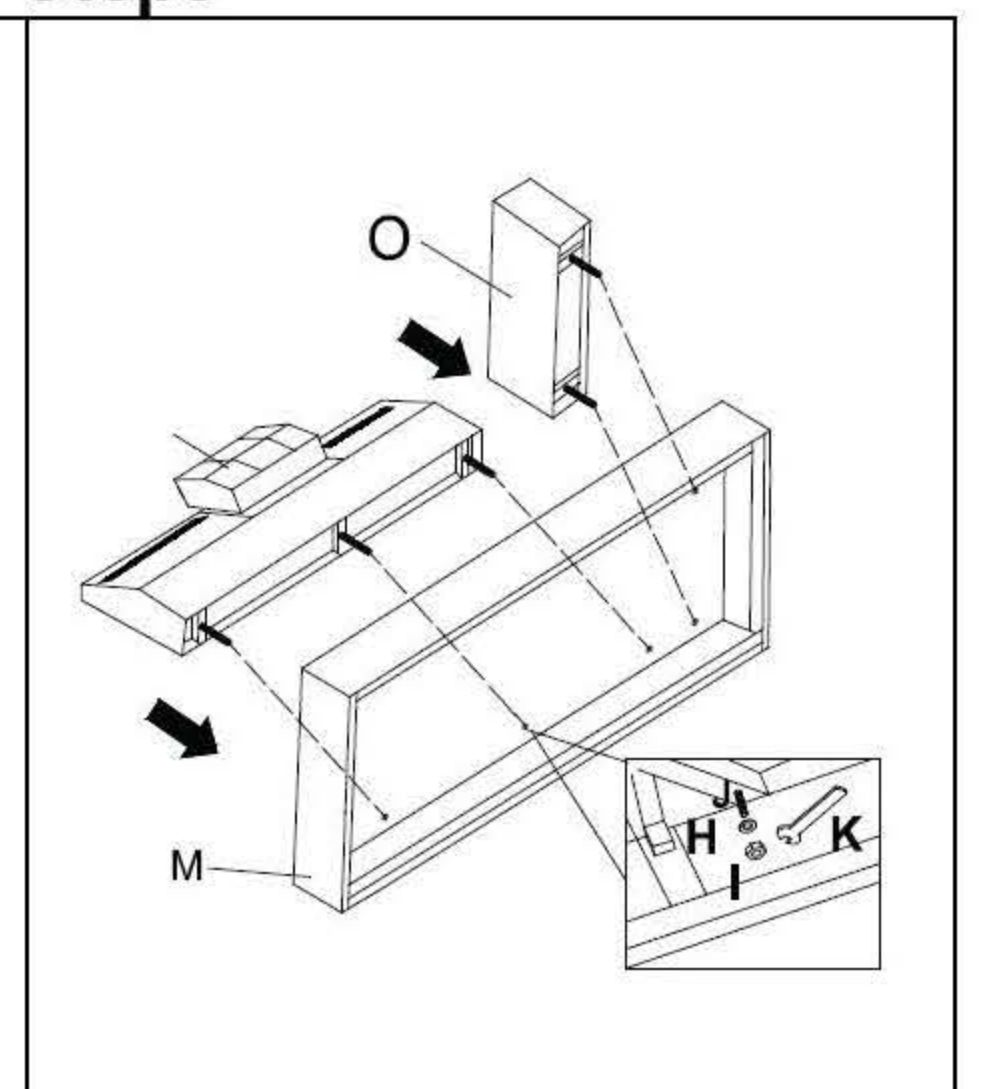
Step 7



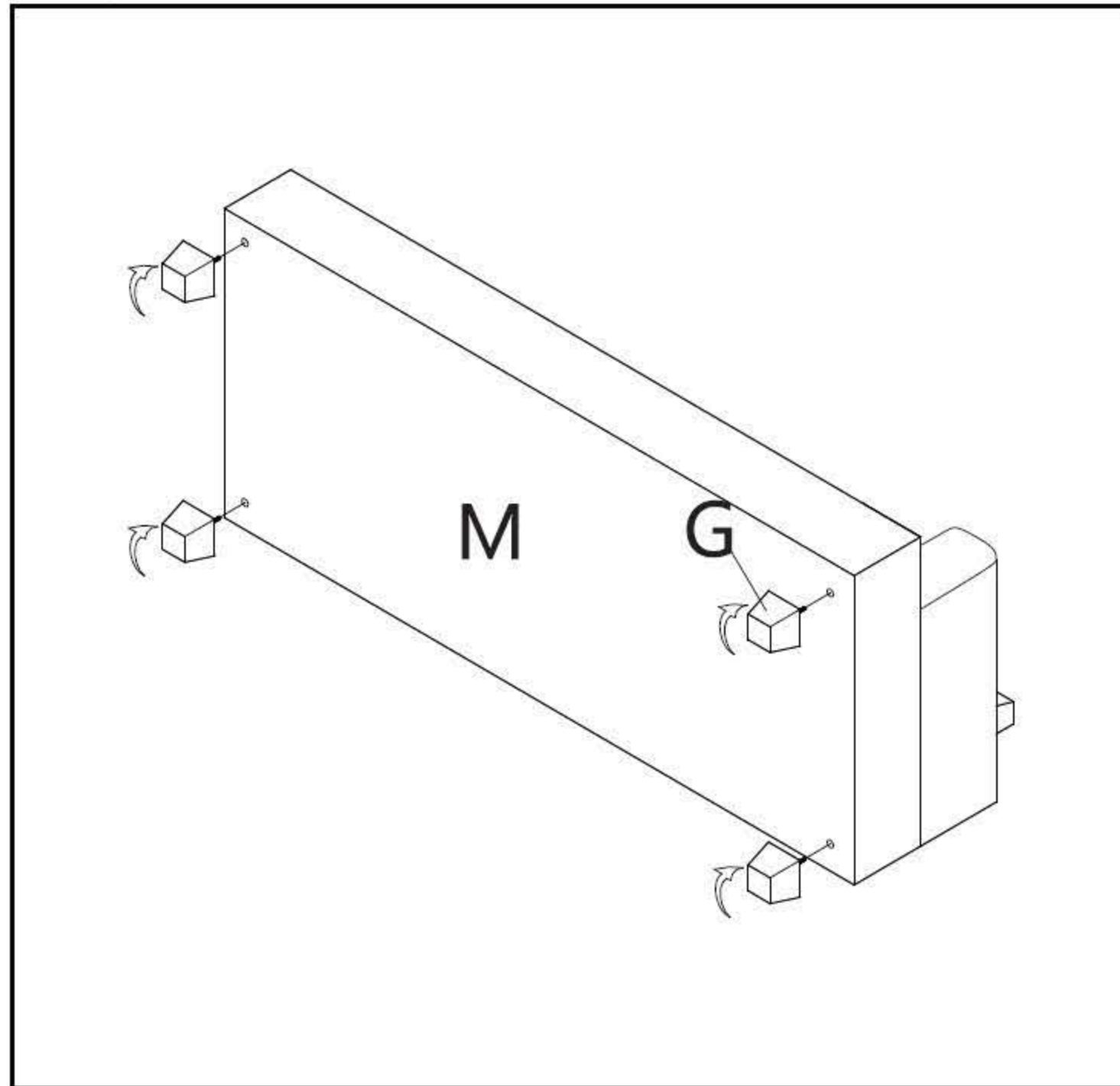
Step 8



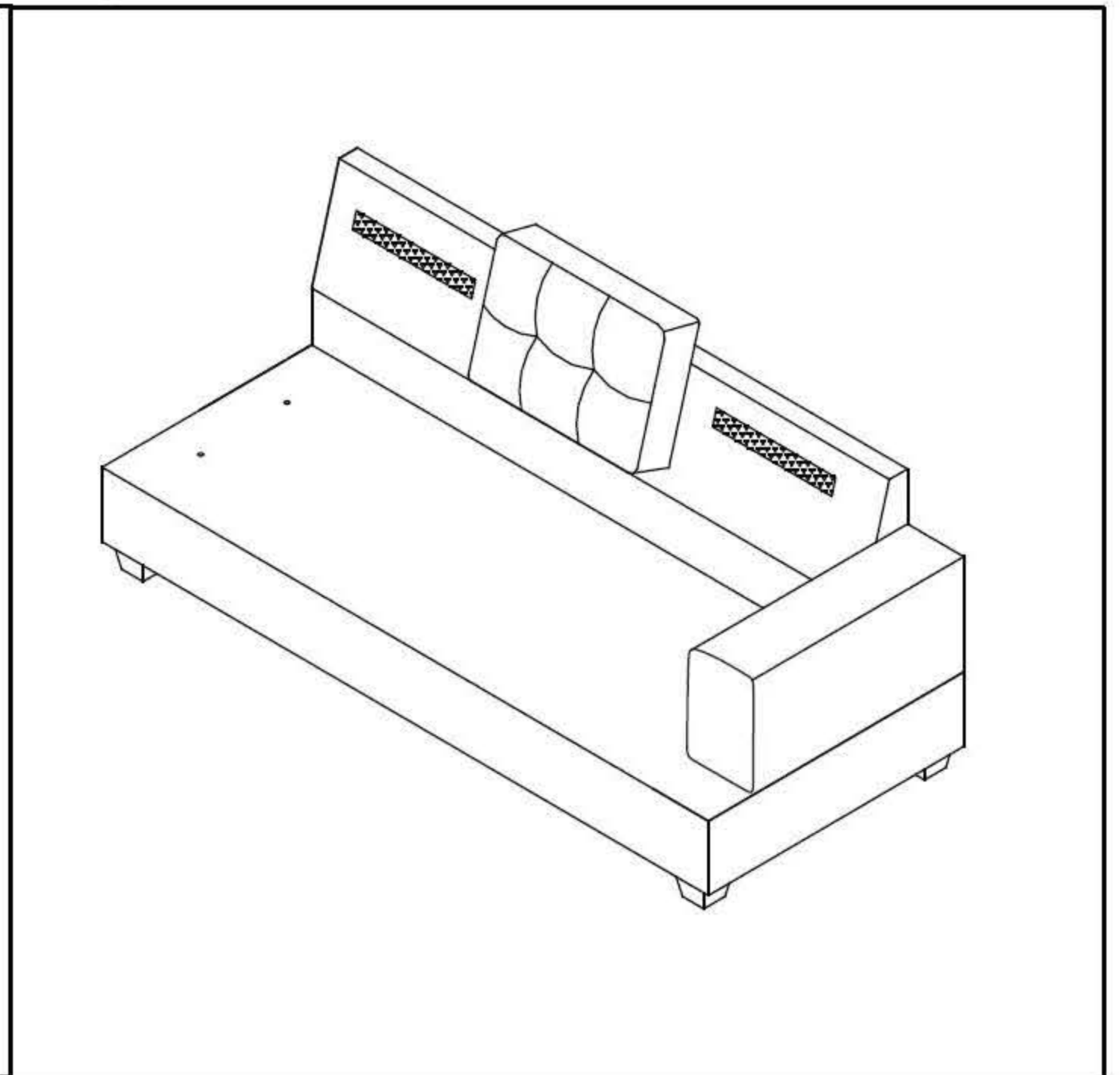
Step 9



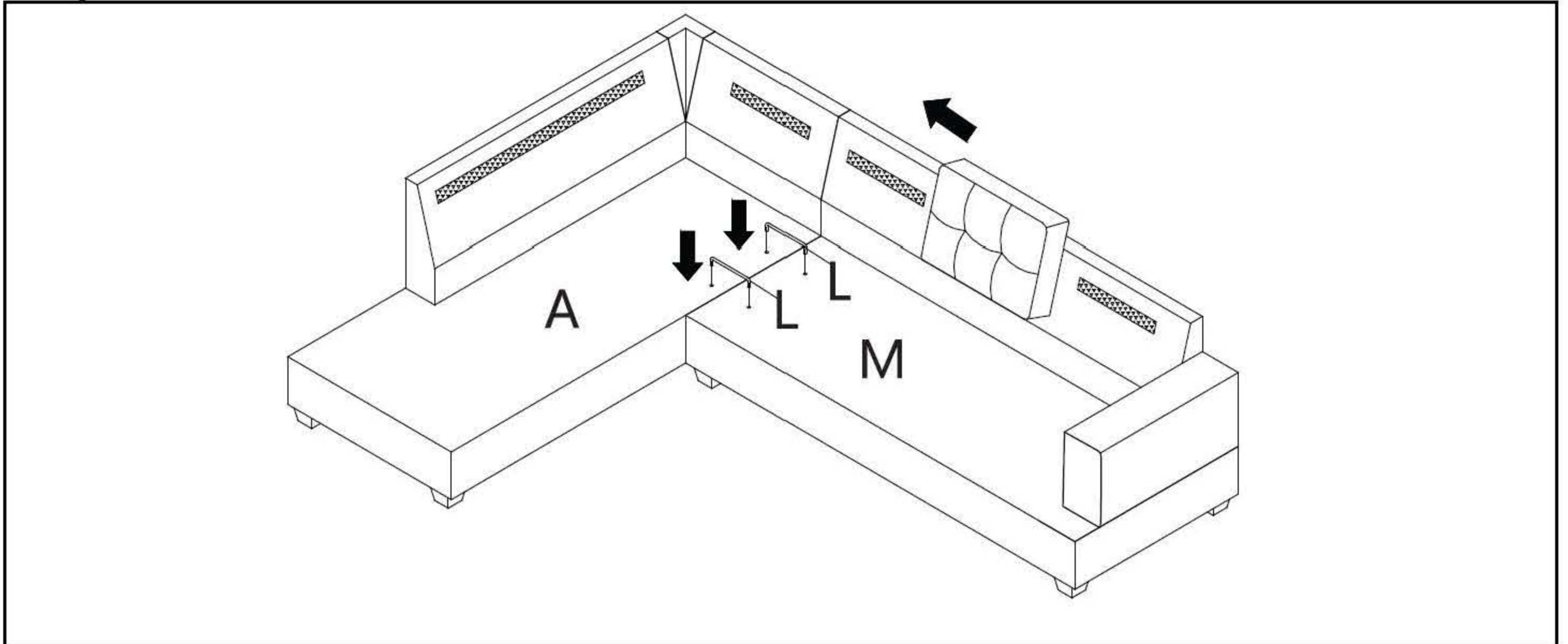
Step10



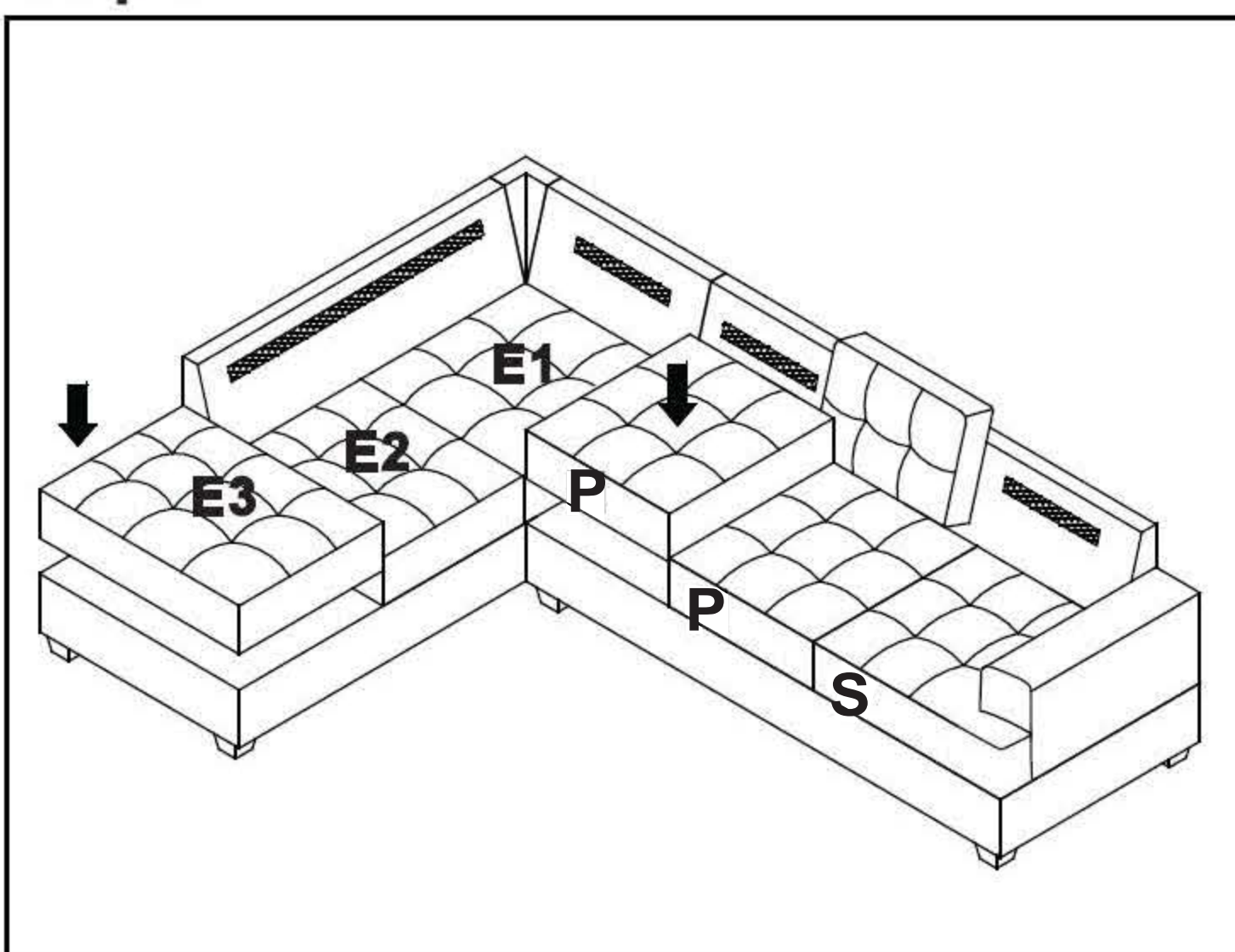
Step11



Step12



Step13



Step 14

