



H O M E E L E G A N C E

Assembly Instruction

ITEM NO.: 9344BR-2






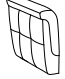
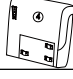
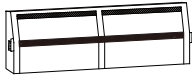
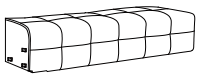
LOVE SEAT



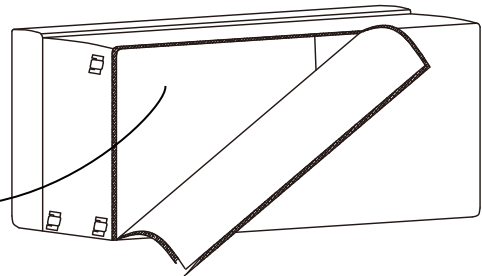
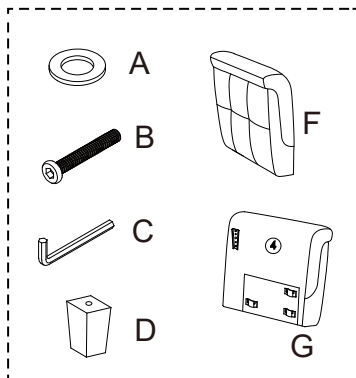
Legs & hardware are stored in the bottom of seat , please take out for assembly .

Note: Do not use power tools for assembly. Power tools increase the risk of over tightening which lead to splitting or cracking the wood.

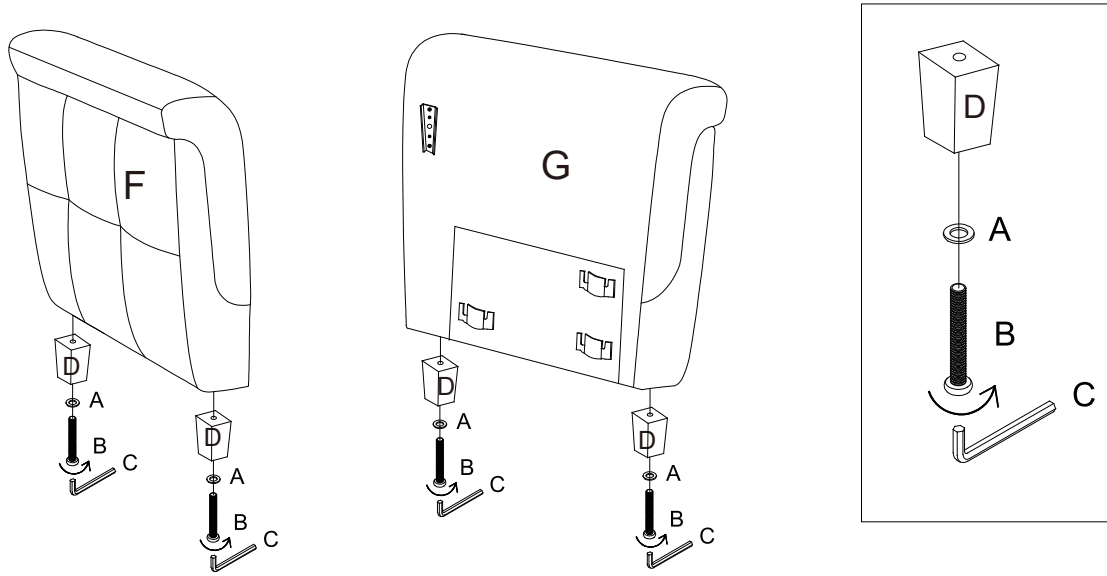
Component list

No	Drawing	Qty	Description
A		4	WASHER M8
B		4	BOLT M8*70MM
C		1	SPANNER M5
D		4	WOODEN LEG H:11CM
E		2	BACK CUSHION
F		1	LSF ARM
G		1	RSF ARM
H		1	BACK REST
I		1	SEAT

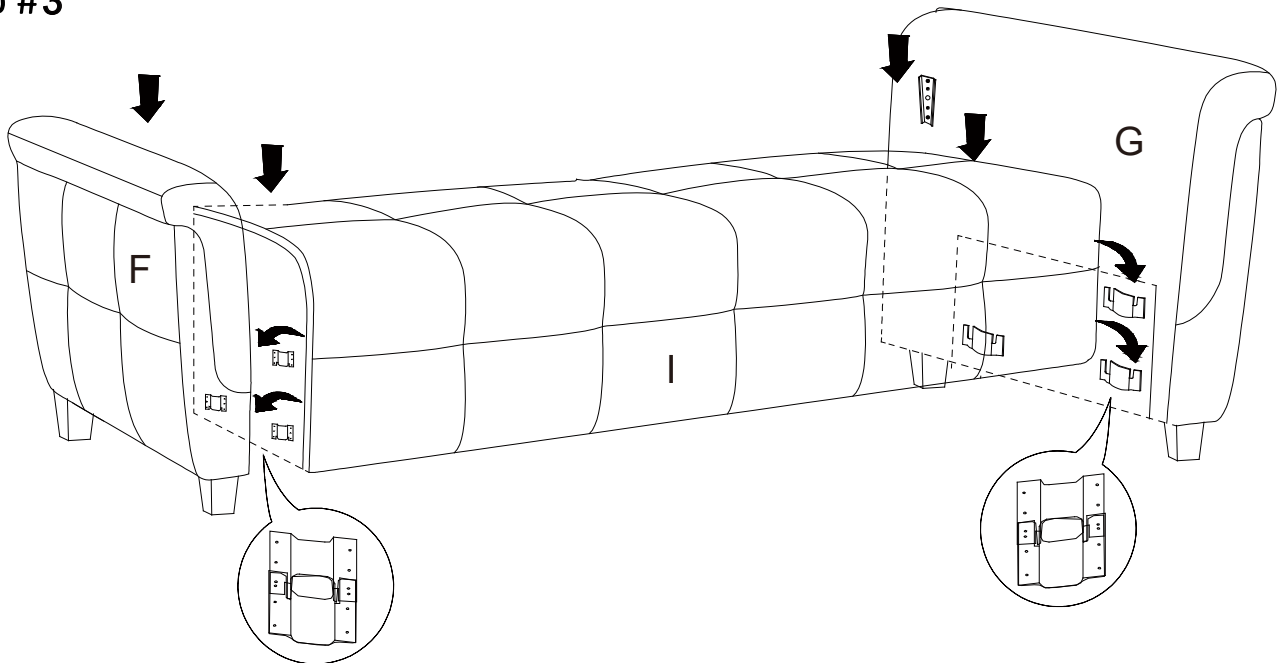
Step #1



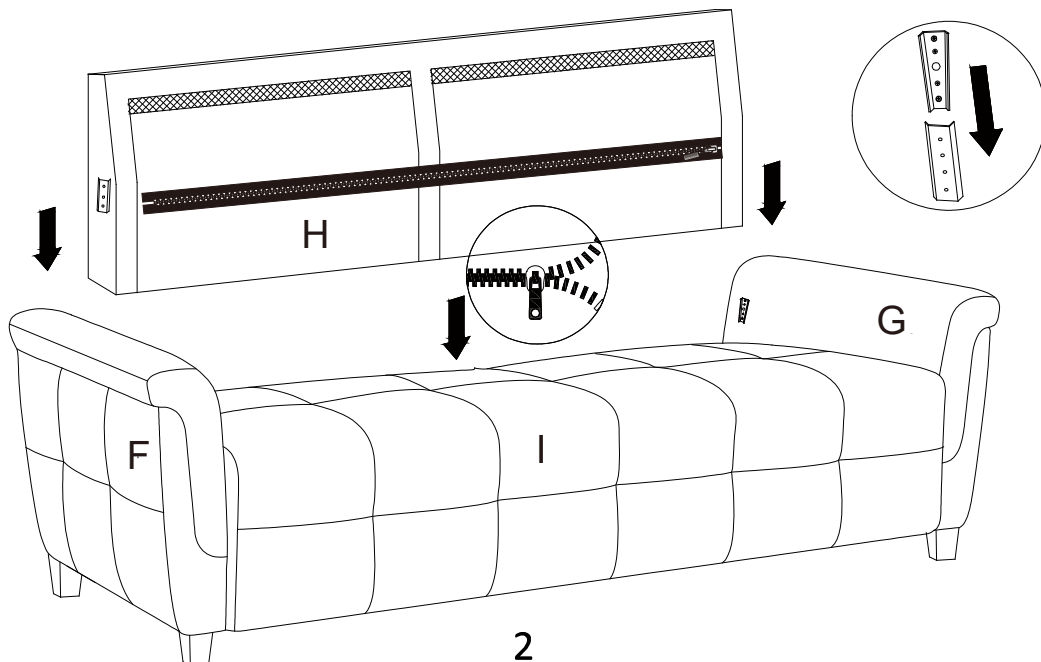
Step #2



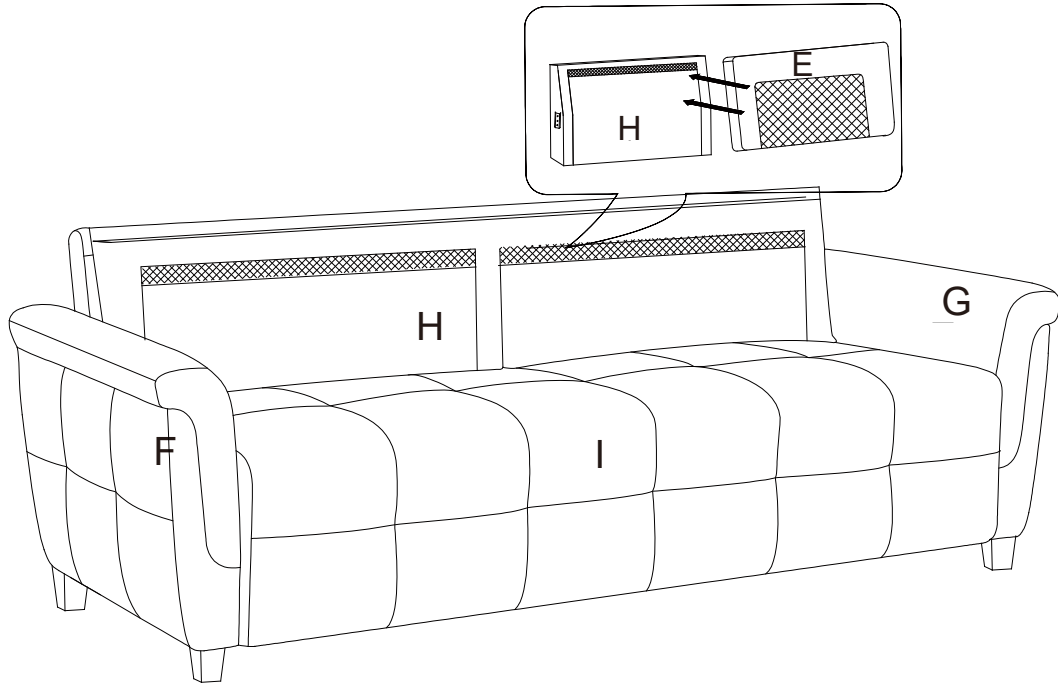
Step #3



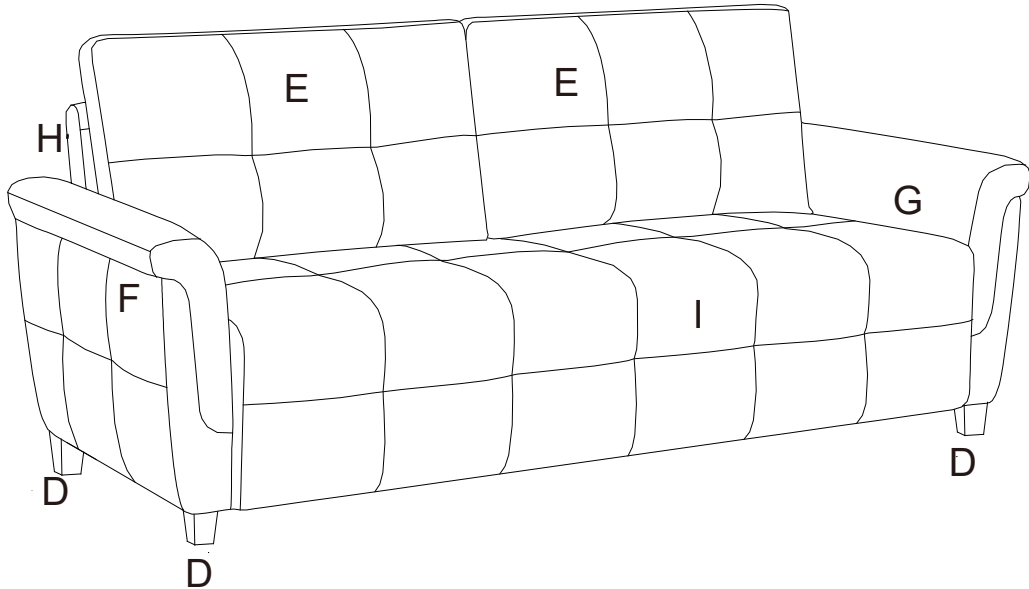
Step #4



Step #5



Step #6



Care Instruction for Textured Fabric Furniture:

In order to maintain the original appearance of your textured fabric Furniture, please follow below simple care procedures:

- Avoid exposing furniture directly to sunlight or heating and air conditioning outlets. Sunlight and or exposure to heating and air conditioning outlets will fade/damage textured Fabric.
- Vacuum or wipe with a soft cloth to remove dust.



For items use on wooden floor, hard surfaces or carpets, it is recommended to Install protective pads under all legs and supports to avoid/prevent from damages/scratches and discoloration.