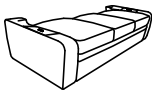

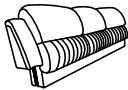




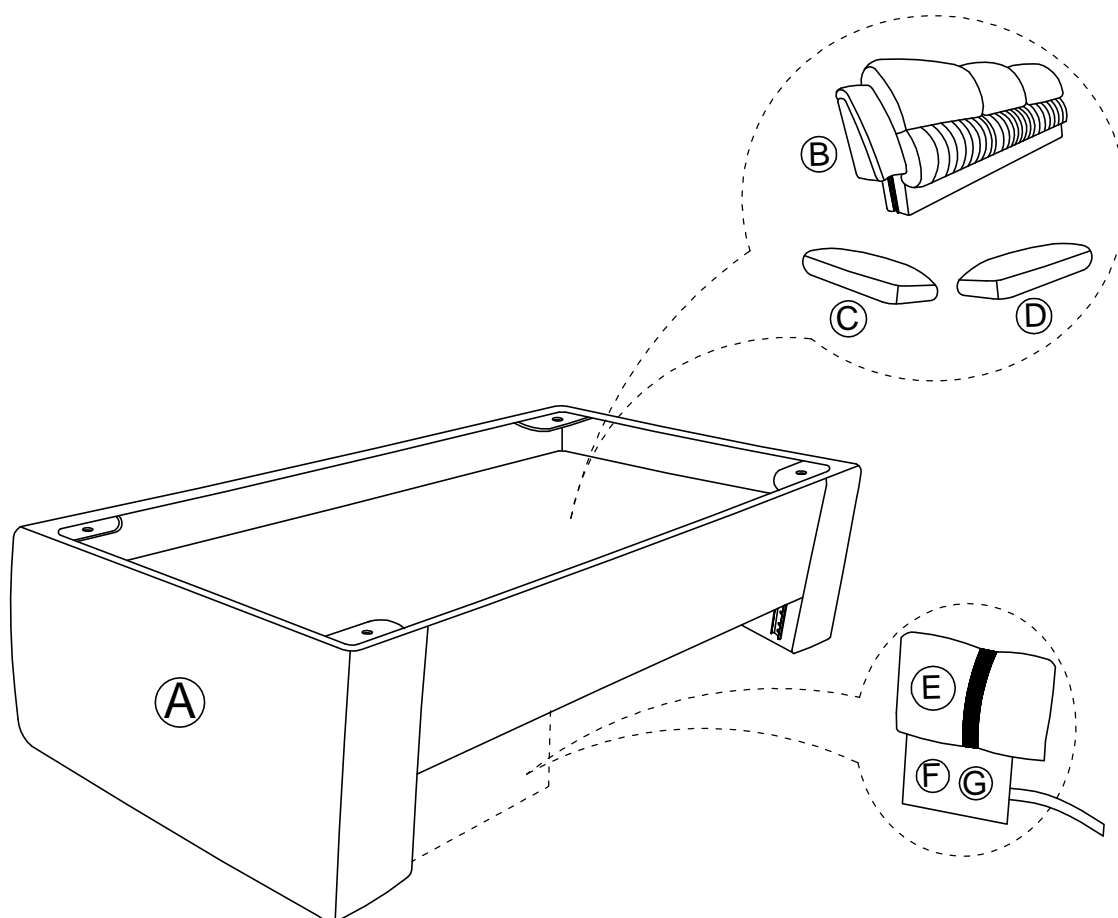


ASSEMBLY INSTRUCTION

ITEM NO: 9333GY-3/ 9333DG-3/ 9333BU-3 SOFA.

NO.	PARTS LIST	QTY	DESCRIPTION	NO.	PARTS LIST	QTY	DESCRIPTION
A		1	Seat Frame	E		4	Plastic Leg
B		1	Back Rest	F		4	Allen Bolt ØM8*60
C		1	Left Arm Rest	G		1	Allen Key M5*100*38mm
D		1	Right Arm Rest				

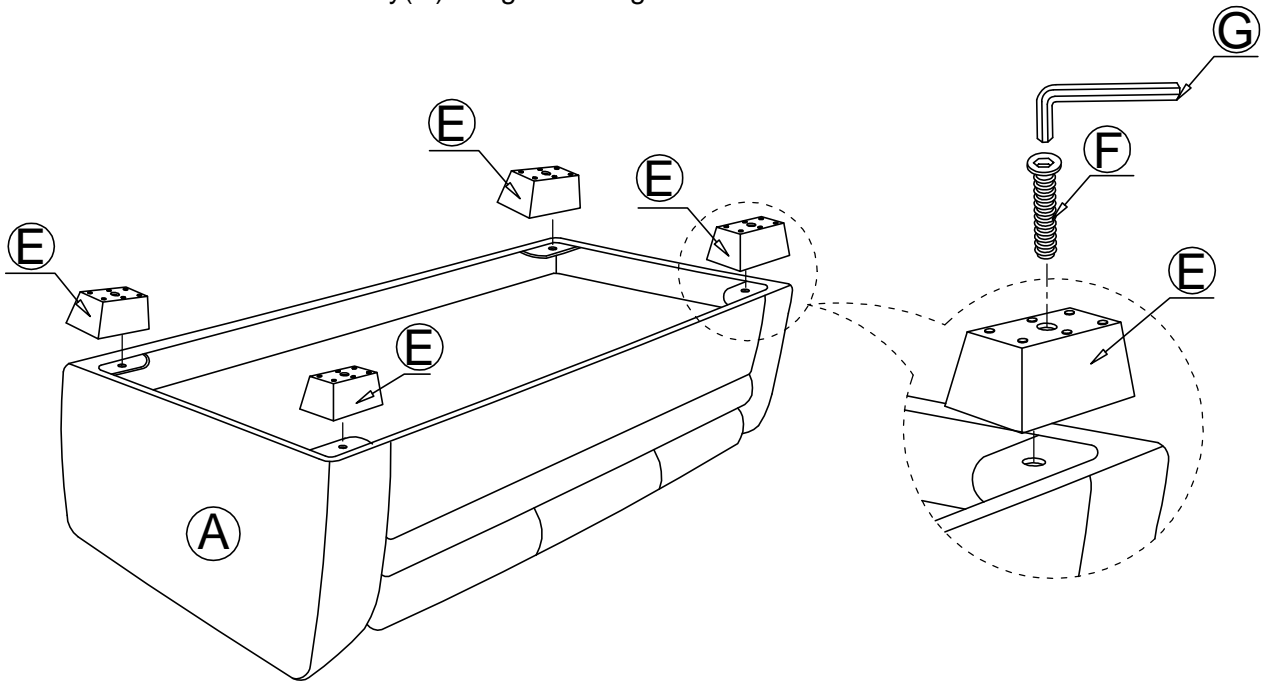
STEP 1: Take out Back Rest(B), Left Arm Rest(C), Right Arm Rest(D), from Seat Frame(A). Take out Plastic Legs(E), Allen Bolts(F) and Allen Key(G) from the back of Seat Frame(A).



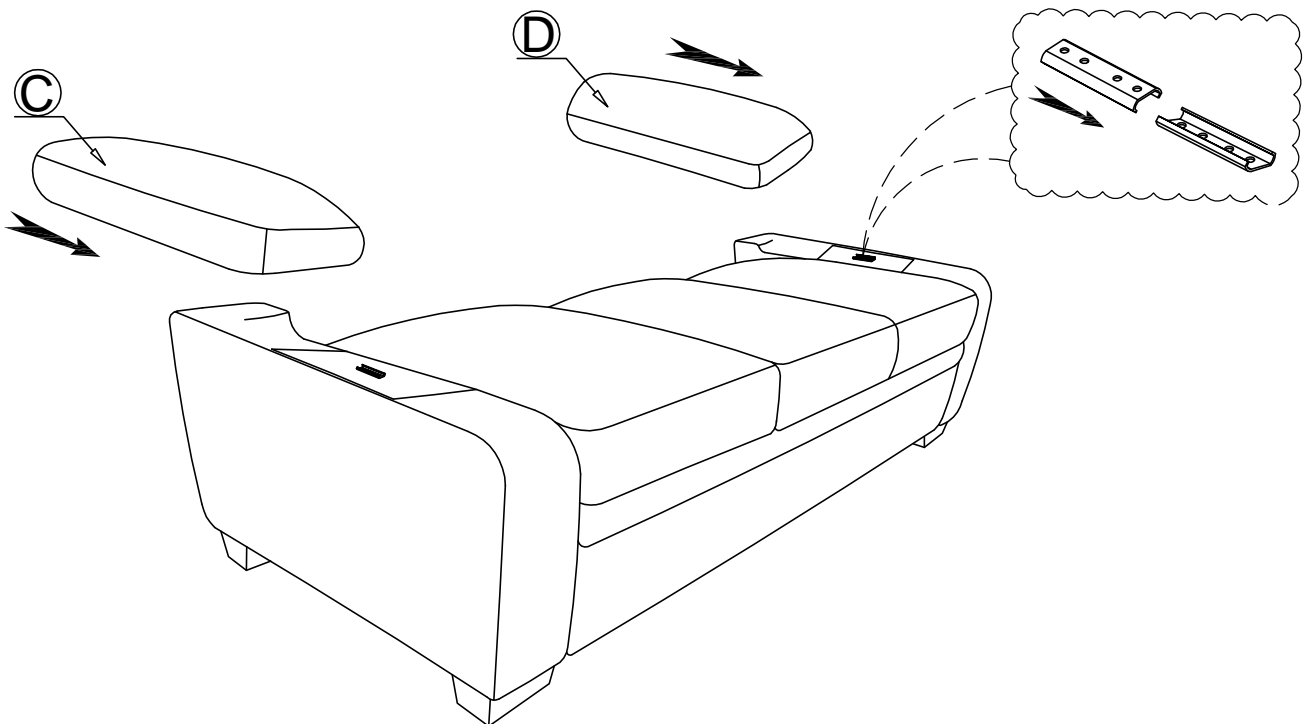
ASSEMBLY INSTRUCTION

ITEM NO: 9333GY-3/ 9333DG-3/ 9333BU-3 SOFA.

STEP 2: Align Plastic Leg(E) to the pre-drilled holes, insert Allen Bolts(F), then use Allen Key(G) to tight the Legs.



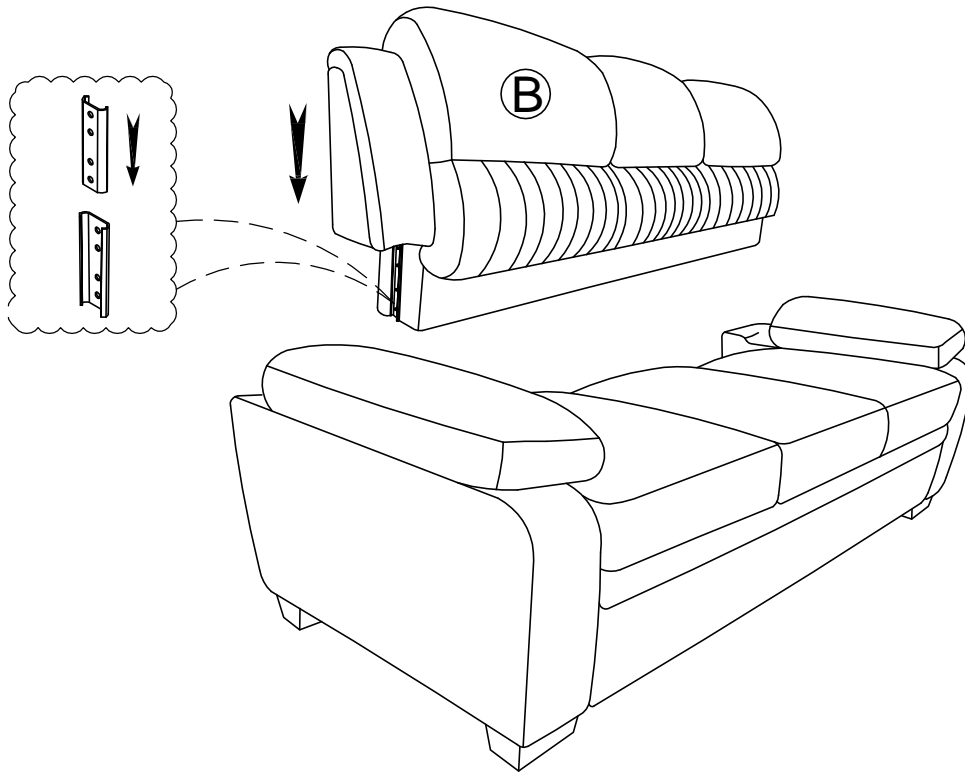
STEP 3: Insert the Left Arm Rest(C), Right Arm Rest(D) to Seat Frame(A). Ensure they are correctly in place.



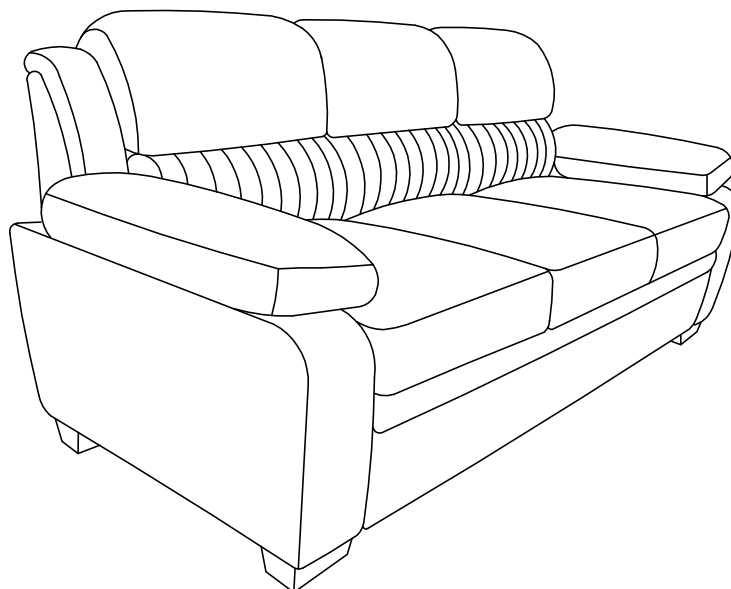
ASSEMBLY INSTRUCTION

ITEM NO: 9333GY-3/ 9333DG-3/ 9333BU-3 SOFA.

STEP 4: Insert the Back Rests(B) to Seat Frame(A). Ensure it is correctly in place.



STEP 5:
Assembly completed.



CARE INSTRUCTION FOR FABRIC FURNITURE

In order to maintain the original appearance of your fabric furniture, please follow below simple care procedures.

°Avoid exposing furniture directly to sunlight or heating and air conditioning outlets. Exposure to sunlight or heating and air conditioning outlets will fade/damage fabric.

°Wipe gently with a damp soft cloth to remove dust, dirt and any grime build up.