

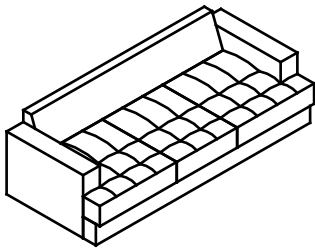
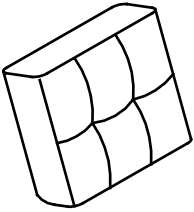
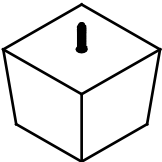
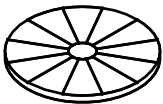

ASSEMBLY INSTRUCTION

ITEM NO.:9309BK-3
SOFA

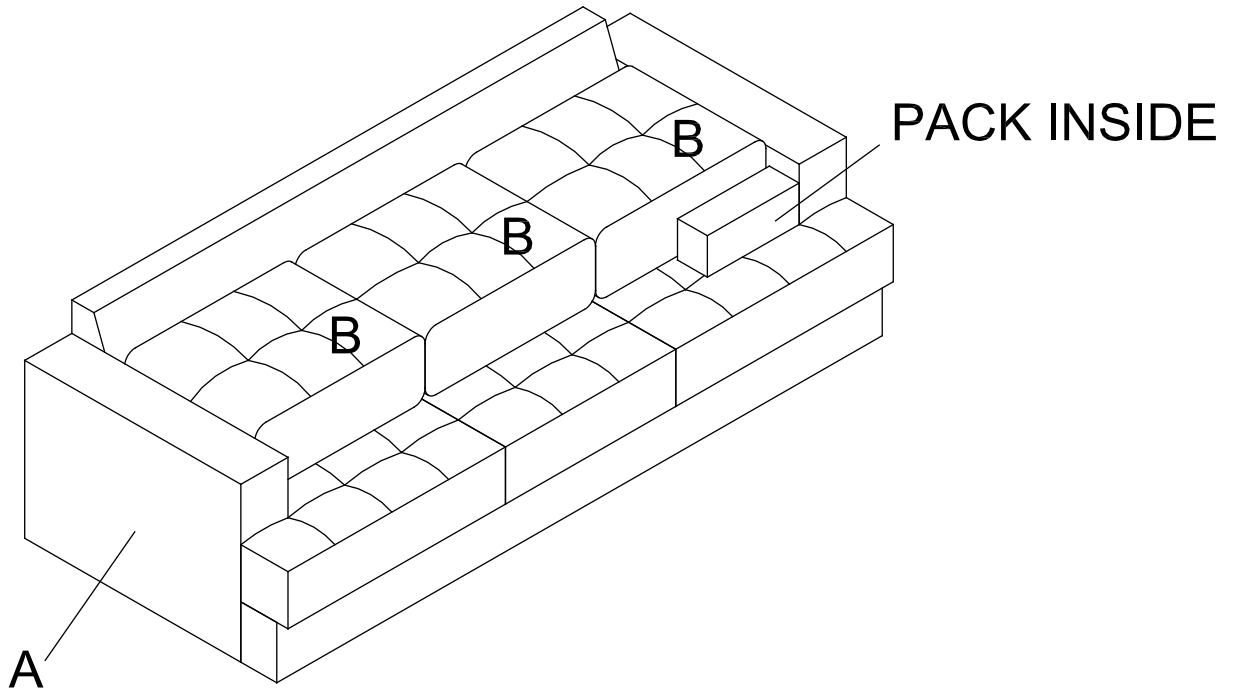


Legs and hardware are stored in box ,
please take out for assembly.

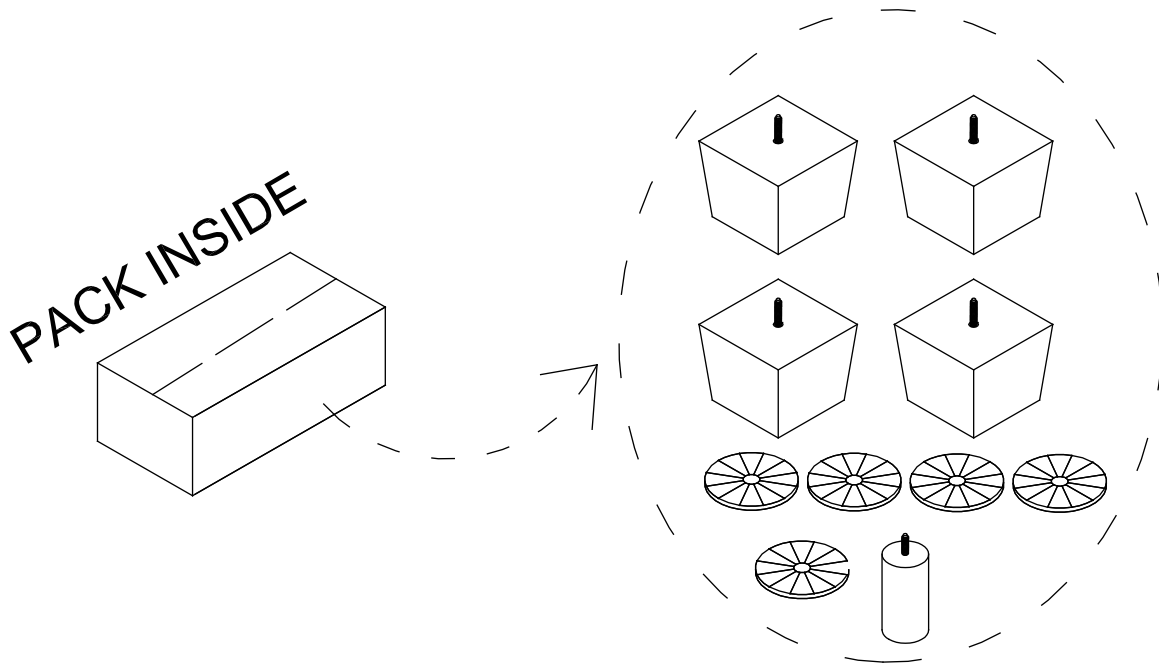
NOTE: Do not use power tools for assembly. Power tools increase the risk of over tightening which lead to splitting or cracking the wood.

NO.	DRAWING	QTY	DESCRIPTION
A		1	SEAT
B		3	BACK CUSHION
C		4	WOODEN LEG 4-3/4"*4-3/4"*4"
D		5	GASKET
E		1	MIDDLE LEG 2"*2"*4"

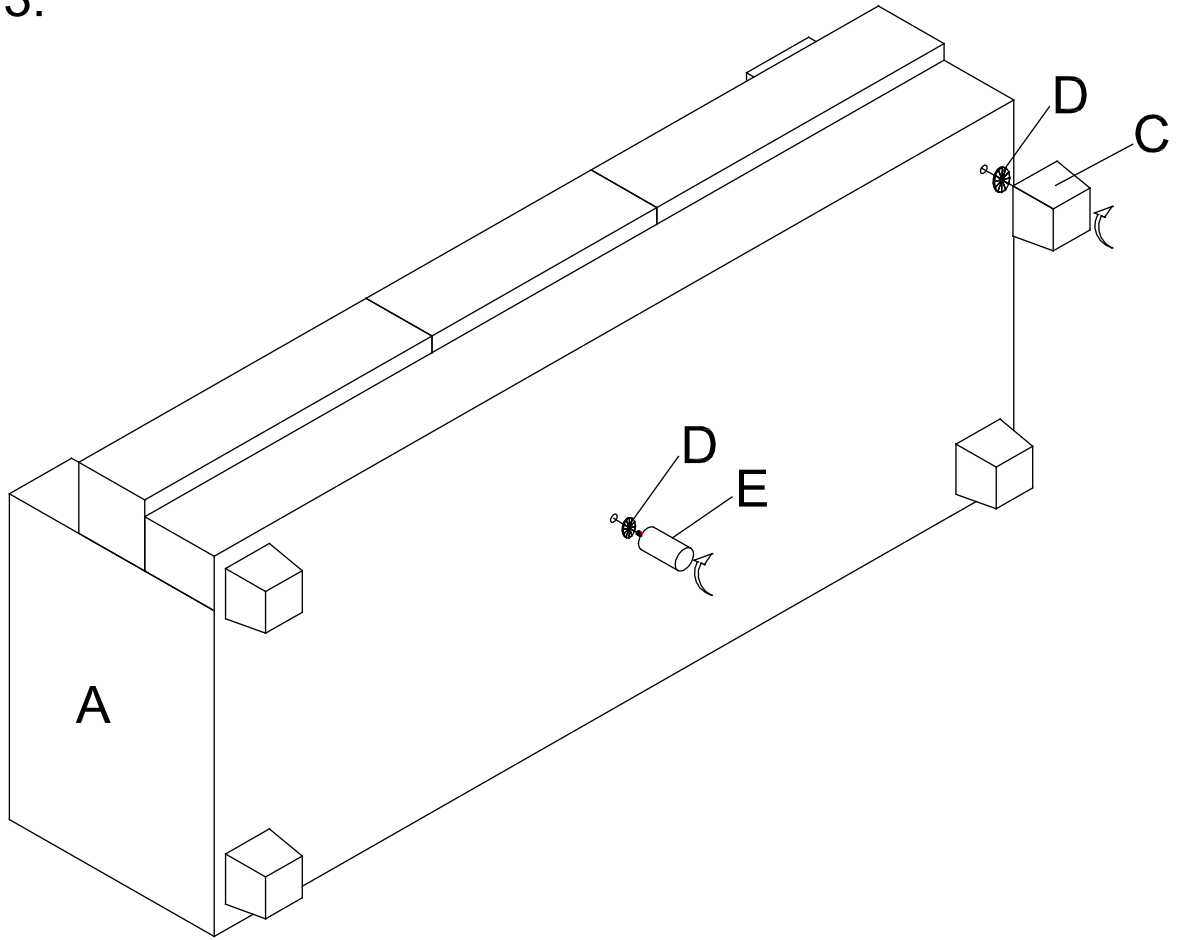
STEP 1:



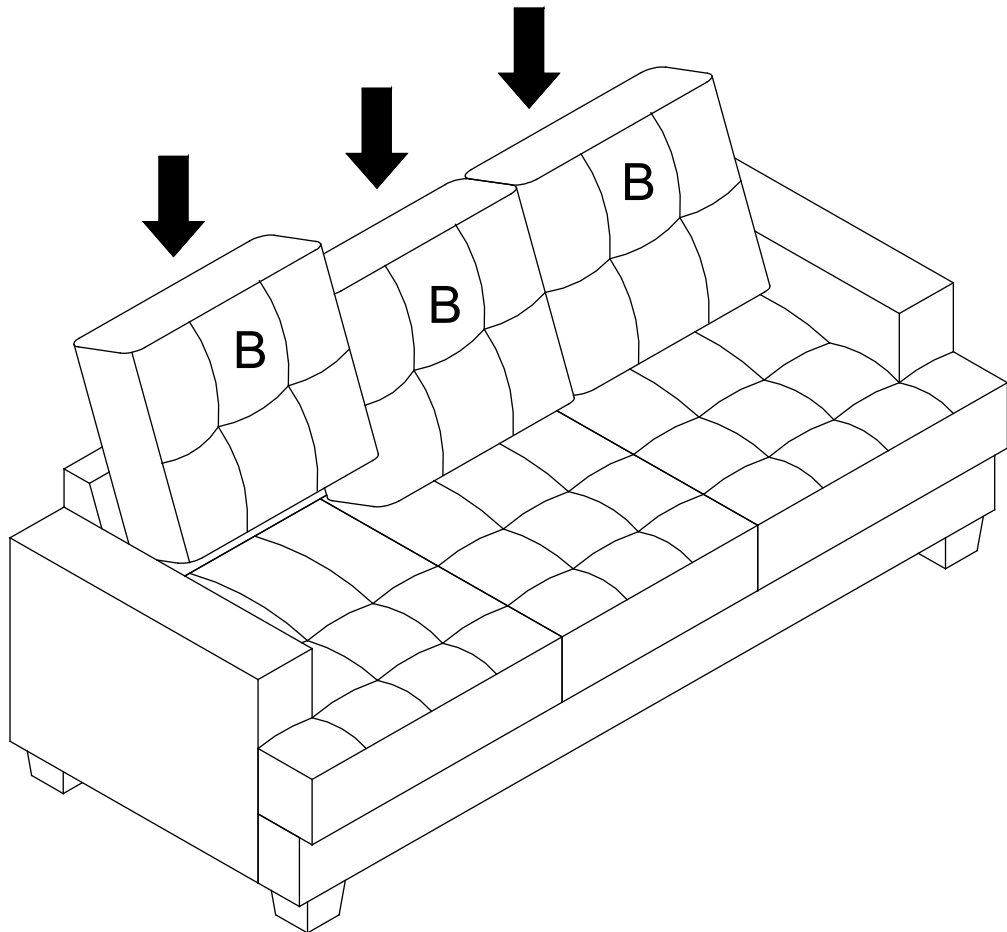
STEP 2:



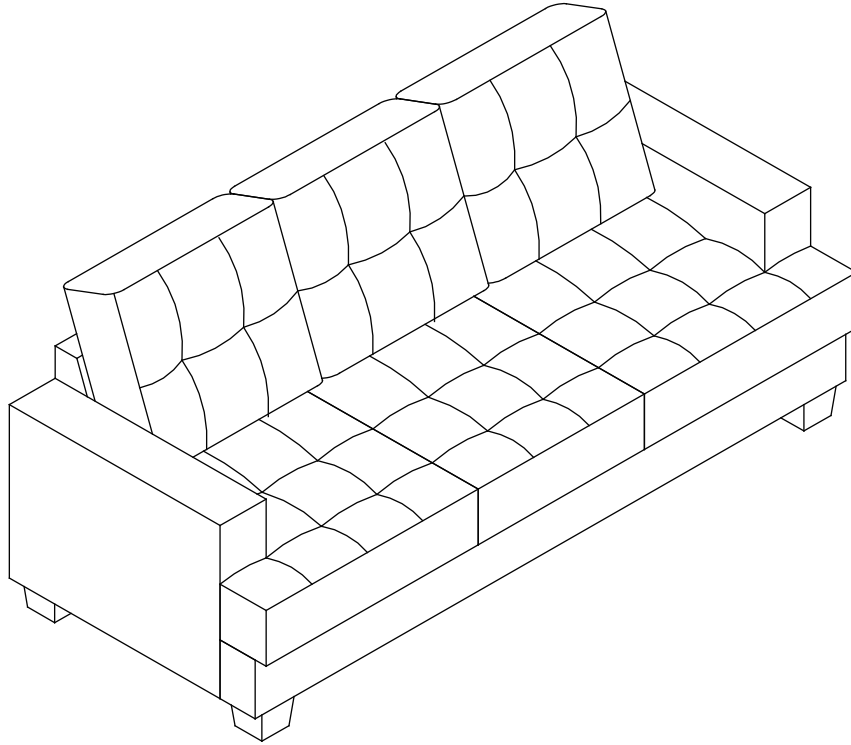
STEP 3:



STEP 4:



STEP 5:



Care instruction for Leather Gel match furniture:

In order to maintain the original appearance of your Leather Gel match furniture, please follow below simple care procedures:

- Avoid exposing furniture directly to sunlight or heating or heating conditioning outlets. Sunlight and or exposure to heating and air conditioning outlets will fade/damage Leather Gel match.
- Do not place your upholstered furniture too close to windows, radiators, or vents, and be sure to use windows, radiators, or vents.
- Vacuum or wipe with a cloth regularly to remove dust.



For items used on wooden floor, hard surfaces or carpets, it is recommended to install protective pads under all legs and supports to avoid/prevent from damages/scratches and discoloration.