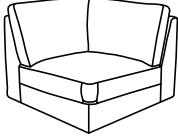
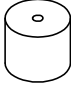
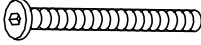



# ASSEMBLY INSTRUCTION

ITEM NO: 9277VR-CR CORNER SEAT

LEGS AND HARDWARE ARE STORED IN THE BOTTOM OF THE SEAT, PLEASE TAKE OUT FOR ASSEMBLY.

NO.	PARTS LIST	QTY	DESCRIPTION
A		1	CORNER SEAT

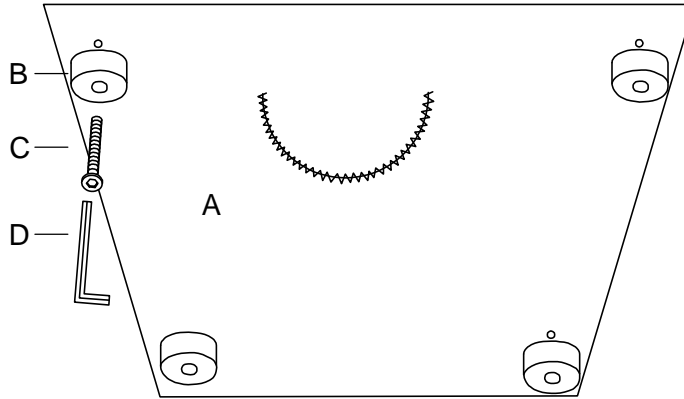
NO.	HARDWARE LIST	QTY	DESCRIPTION
B	 80*80*50mm	4	WOODEN LEGS
C	 M8*60mm	4	BOLT
D	 M5*100*38mm	1	ALLEN KEY

# AASSEMBLY INSTRUCTION

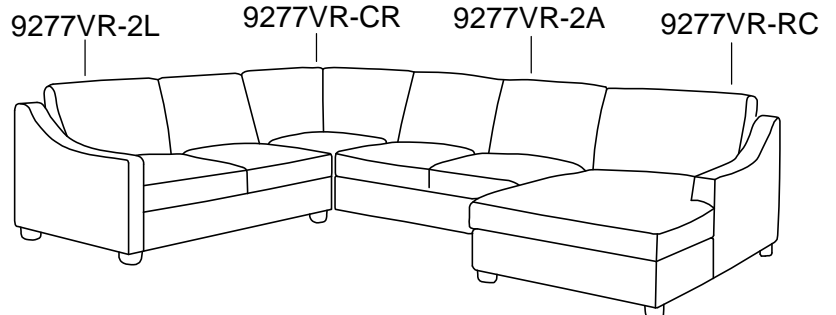
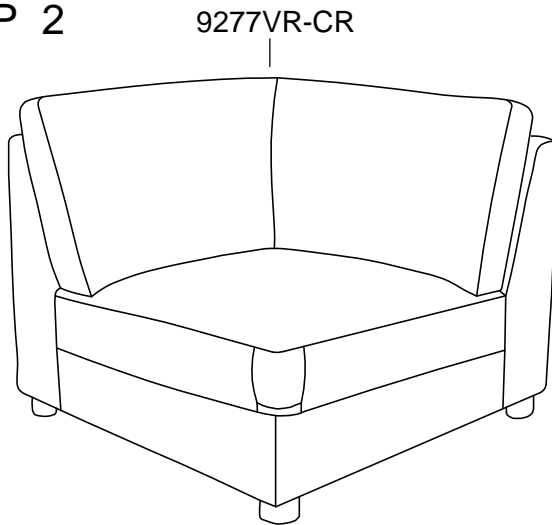
ITEM NO: 9277VR-CR CORNER SEAT

## STEP 1

PARTS INSIDE



## STEP 2



### CARE INSTRUCTION FOR FABRIC FURNITURE

In order to maintain the original appearance of your fabric furniture, please follow below simple care procedures.

°Avoid exposing furniture directly to sunlight or heating and air conditioning outlets. Exposure to sunlight or heating and air conditioning outlets will fade/damage fabric.

°Wipe gently with a damp soft cloth to remove dust, dirt and any grime build up.