



**H O M E L E G A N C E**

## Assembly Instruction

ITEM NO.: 9236BU-2





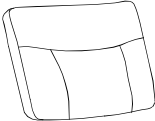


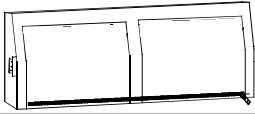
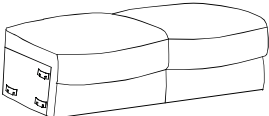
LOVE SEAT



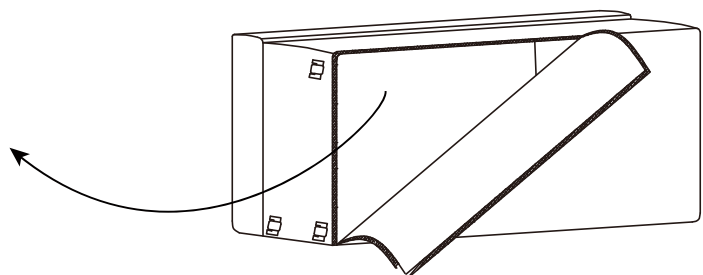
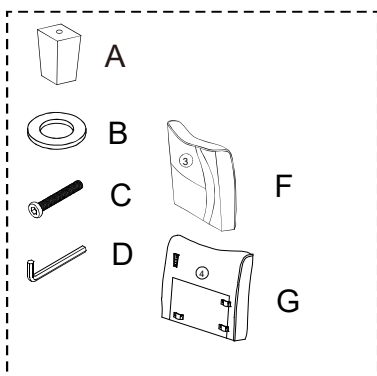
Legs, arms and back cushions are packed in the bottom of seat, please take out for assembly.

Note: Do not use power tools for assembly. Power tools increase the risk of over tightening which lead to splitting or cracking the wood.

### Component list

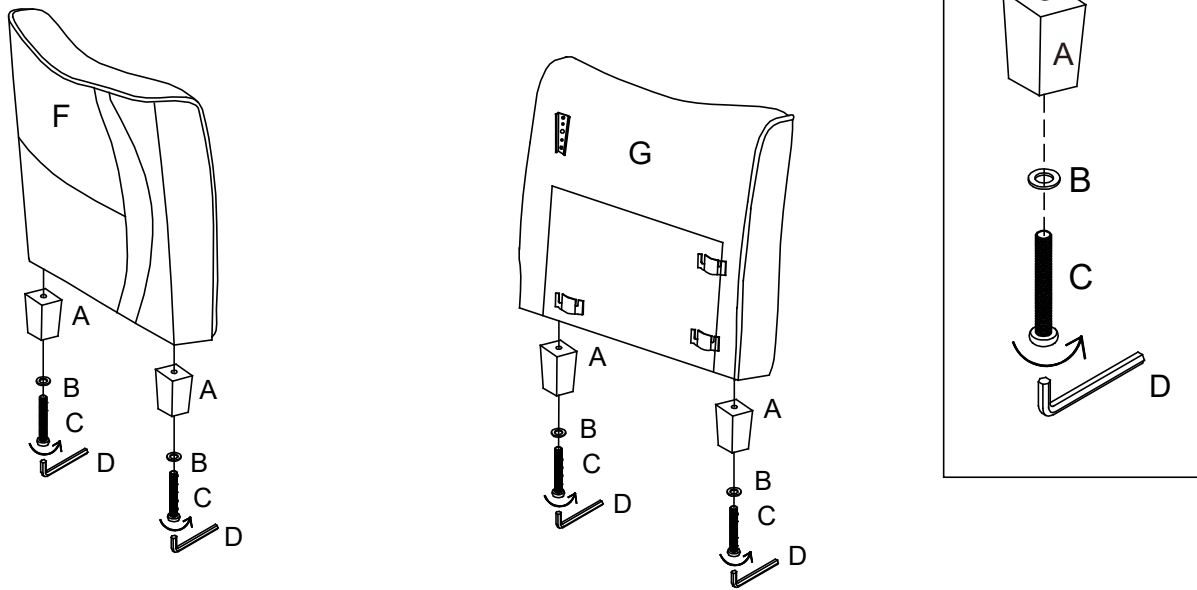
No	Drawing	Qty	Description
A		4	WOODEN LEG H:3.15 INCH
B		4	WASHER
C		4	SCREW
D		1	WRENCH
E		2	BACK CUSHION
F		1	LSF ARM
G		1	RSF ARM
H		1	BACK REST
I		1	SEAT

#### Step #1

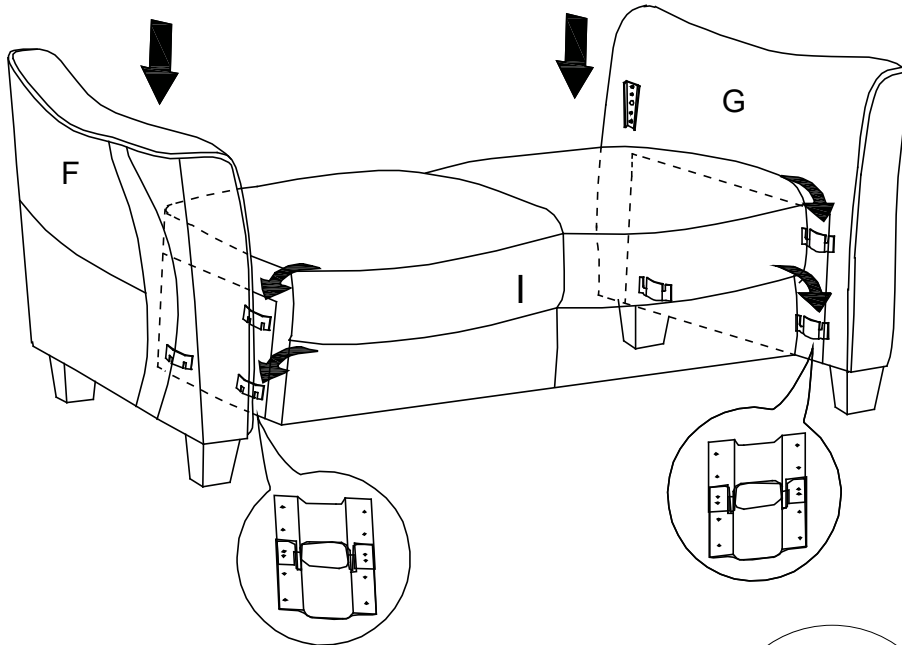


1

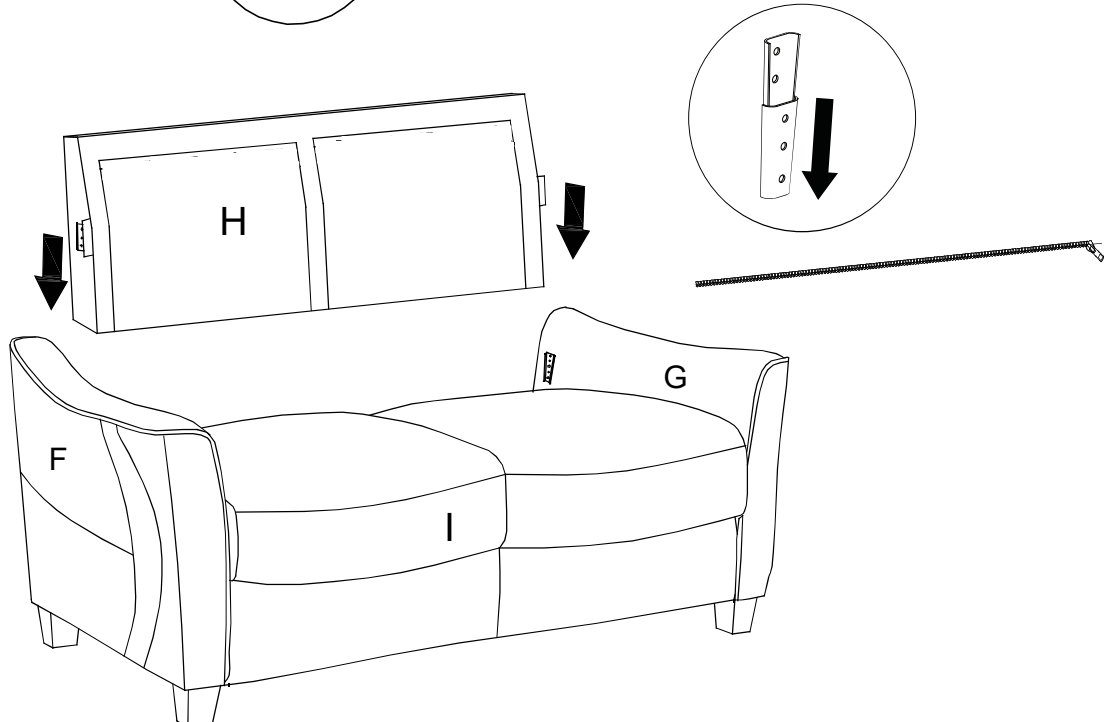
## Step #2



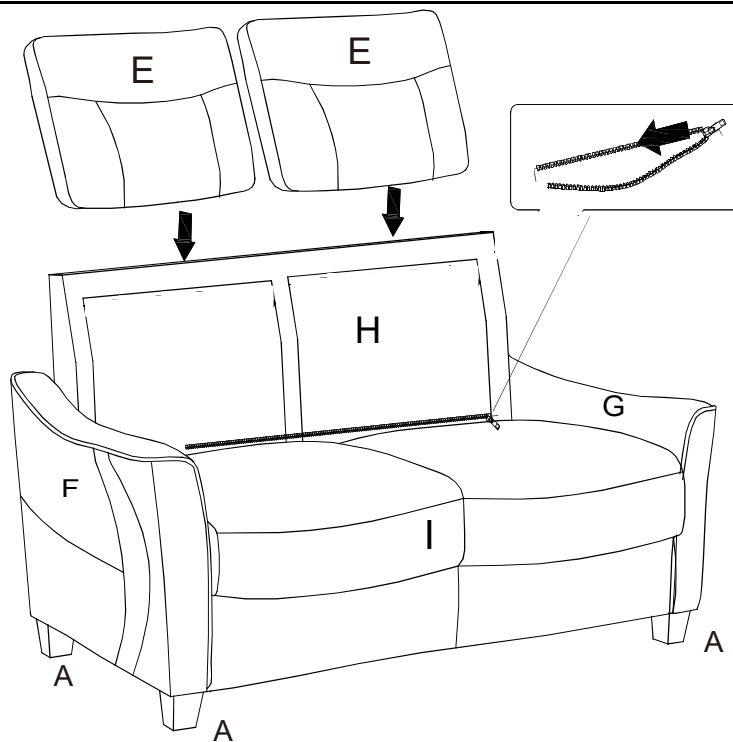
## Step #3



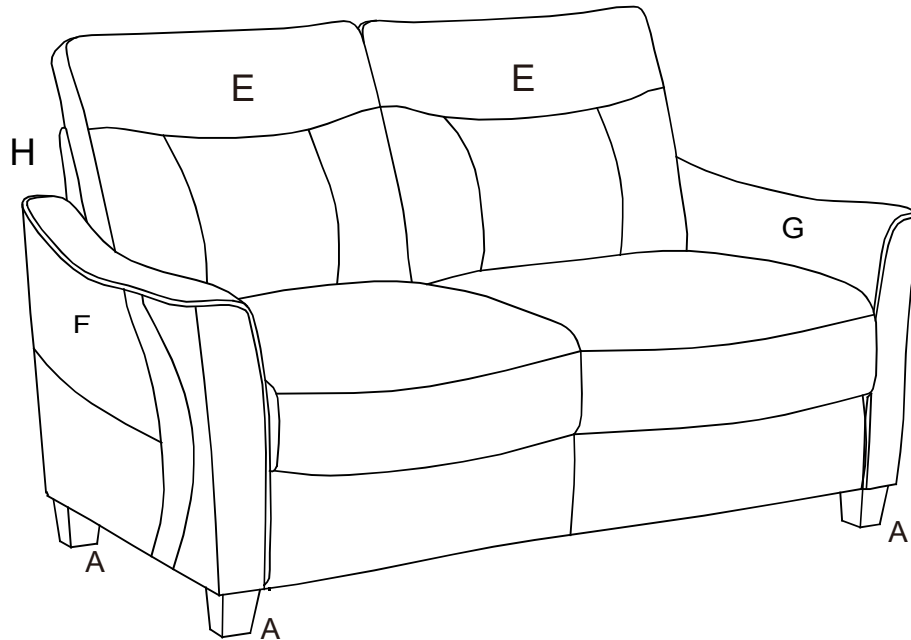
## Step #4



## Step #5



## Step #6



## Care Instruction for Textured Fabric Furniture:

In order to maintain the original appearance of your textured fabric Furniture, please follow below simple care procedures:

- Avoid exposing furniture directly to sunlight or heating and air conditioning outlets. Sunlight and or exposure to heating and air conditioning outlets will fade/damage textured Fabric.
- Vacuum or wipe with a soft cloth to remove dust.



For items use on wooden floor, hard surfaces or carpets, it is recommended to install protective pads under all legs and supports to avoid/prevent from damages/scratches and discoloration.