

ASSEMBLY INSTRUCTION

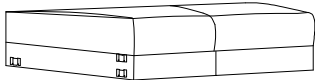
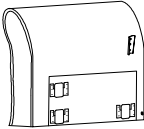
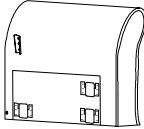
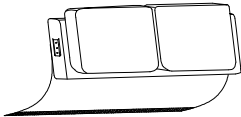




ITEM NO.: 9209SN-2

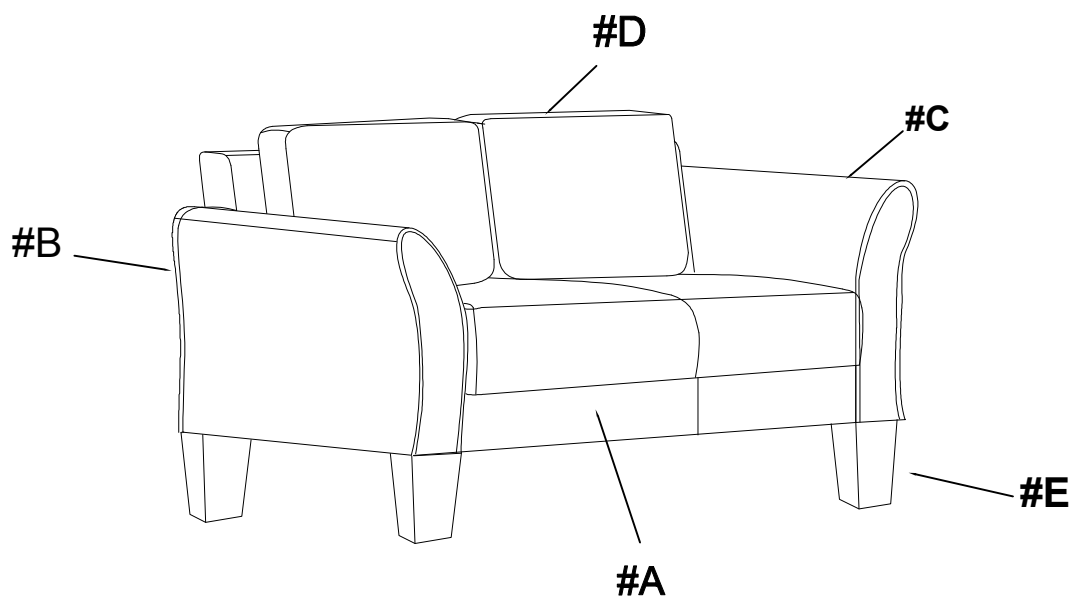
LOVE SEAT



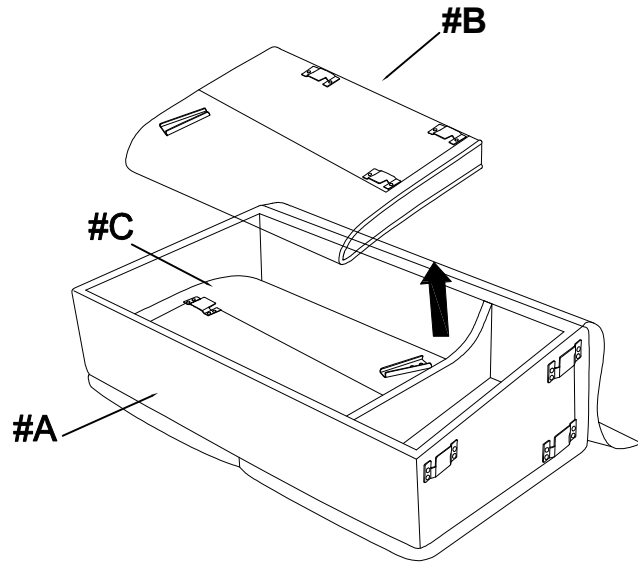
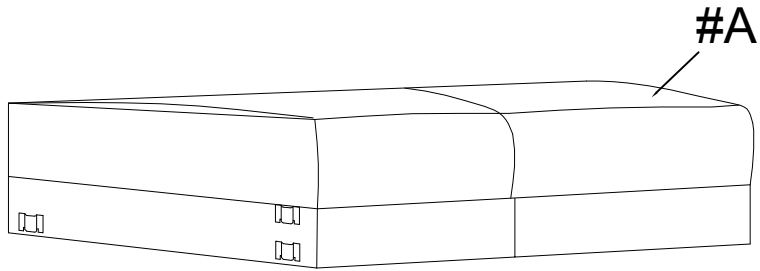
Back rest, arms and support bar are packed in the bottom of seat,
Legs and hardware are stored in box, please take out for assembly.

NOTE: Do not use power tools for assembly. Power tools increase the risk of over tightening which lead to splitting or cracking the wood.

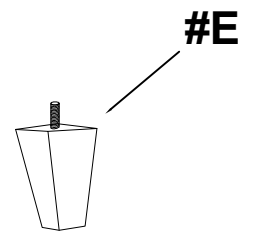
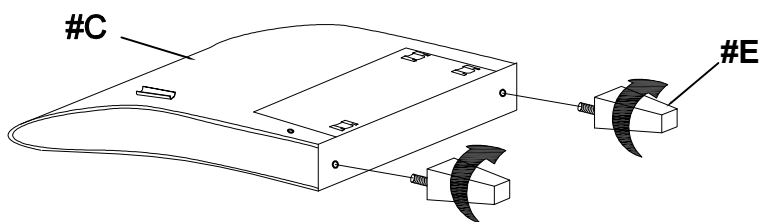
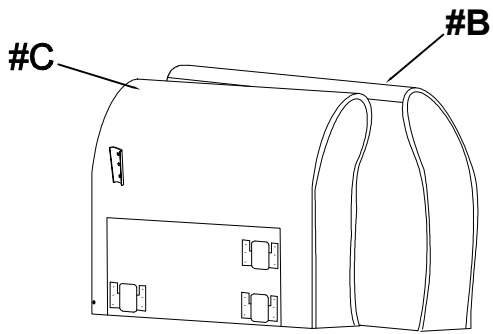
NO.	DRAWING	QTY	DESCRIPTION
A		1	Seat
B		1	LSF Armrest
C		1	RSF Armrest
D		1	Back rest
E		4	Plastic Leg
F		1	Support bar
G		2	Bolts + Spring washer + Washer
H		1	Allen key



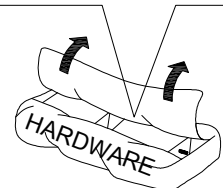
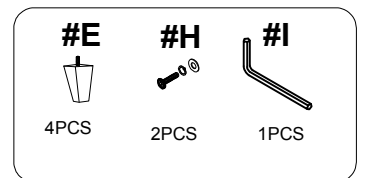
STEP 1:



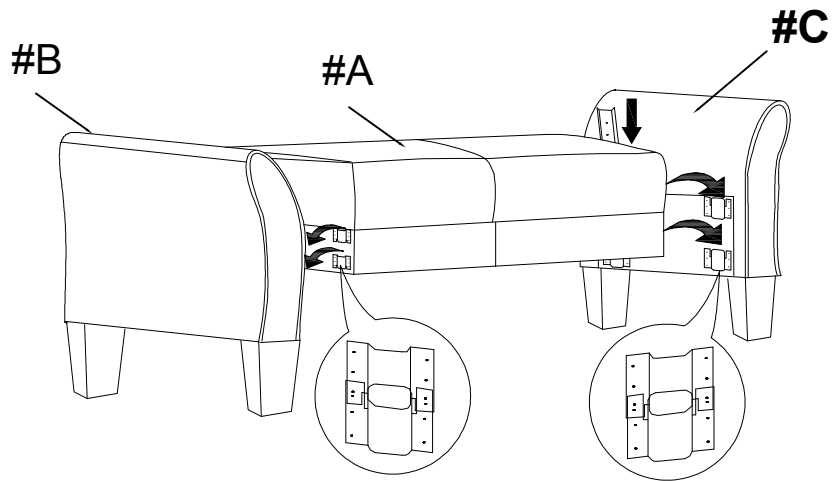
STEP 2:



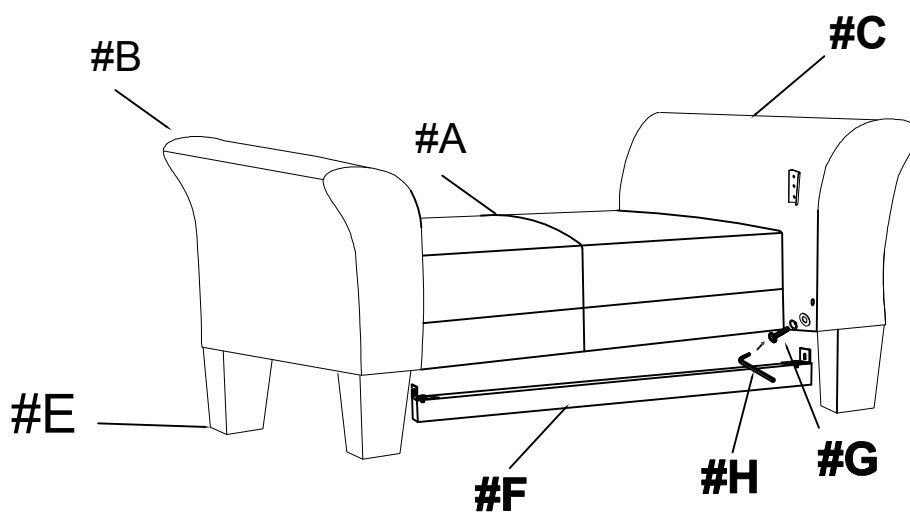
4PCS



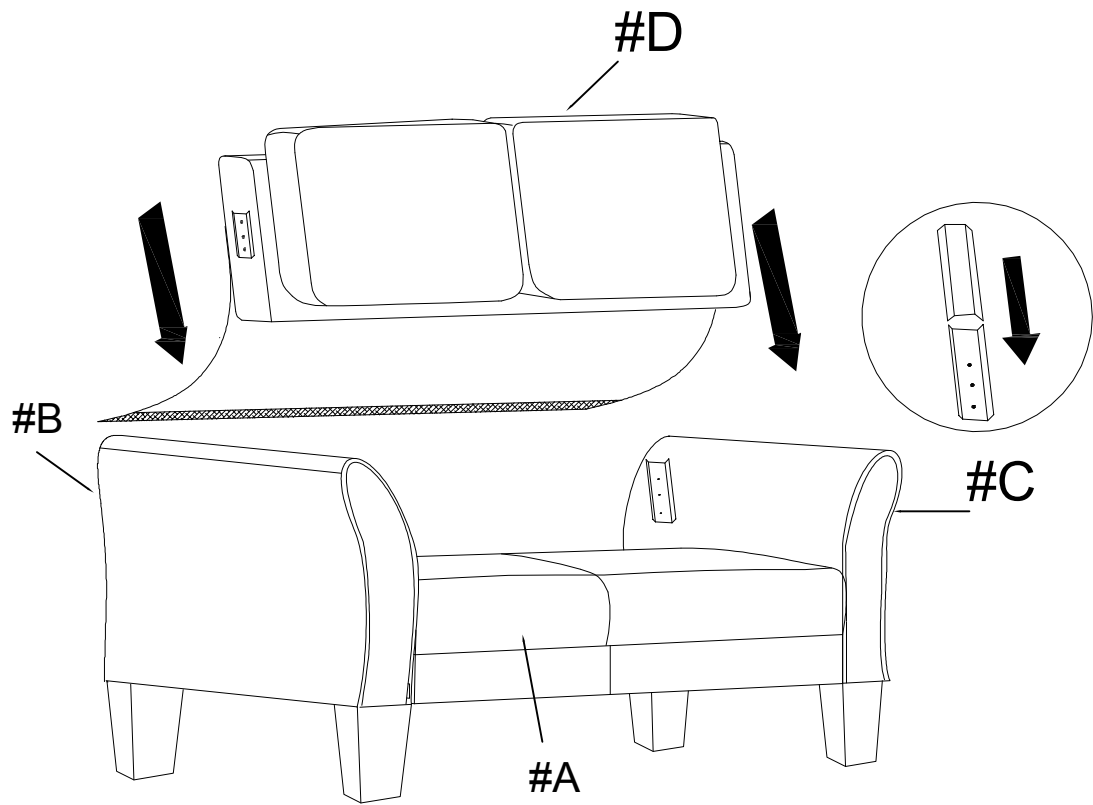
STEP 3:



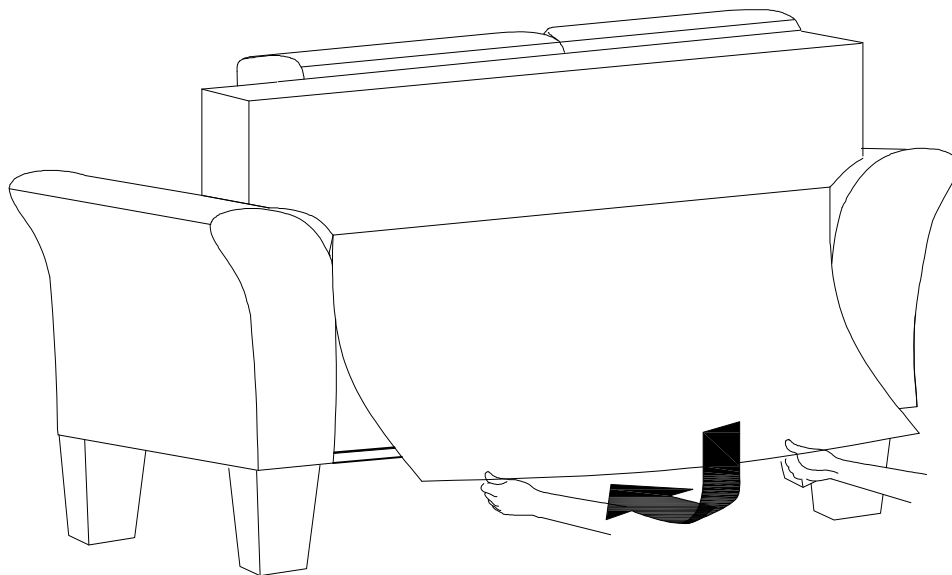
STEP 4:

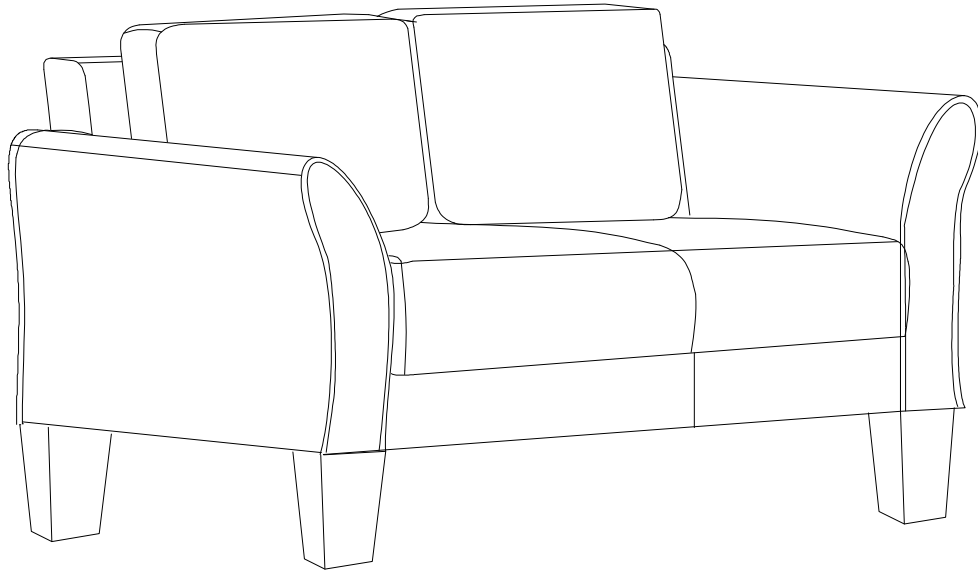


STEP 5:



STEP 6:





Care instruction for Linen - like furniture:

In order to maintain the original appearance of your Linen - like furniture, please follow below simple care procedures:

- Avoid exposing furniture directly to sunlight or heating or heating conditioning outlets. Sunlight and or exposure to heating and air conditioning outlets will fade/damage Linen - like .
- Do not place your upholstered furniture too close to windows, radiators, or vents, and be sure to use windows, radiators, or vents.
- Vacuum or wipe with a cloth regularly to remove dust.



For items used on wooden floor, hard surfaces or carpets, it is recommended to install protective pads under all legs and supports to avoid/prevent from damages/scratches and discoloration.