

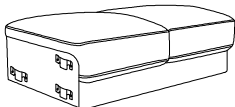
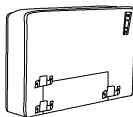
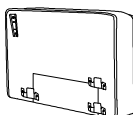
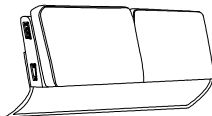

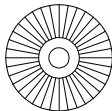



# ASSEMBLY INSTRUCTION

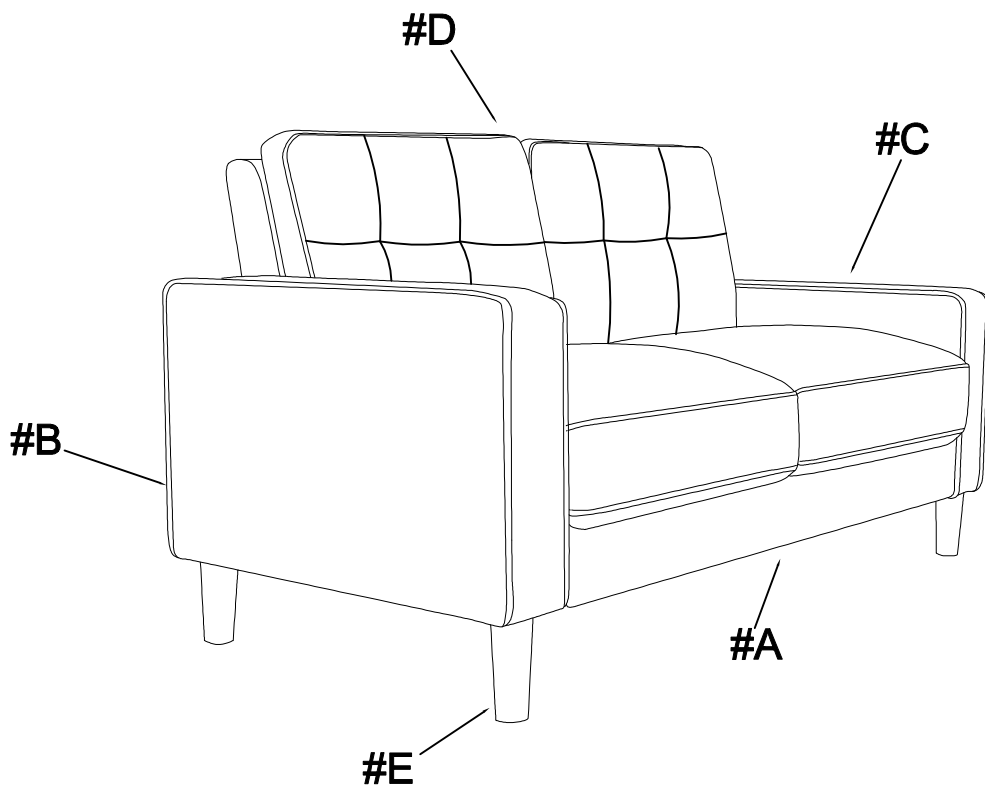
ITEM NO.: 9208GY-2  
LOVE SEAT



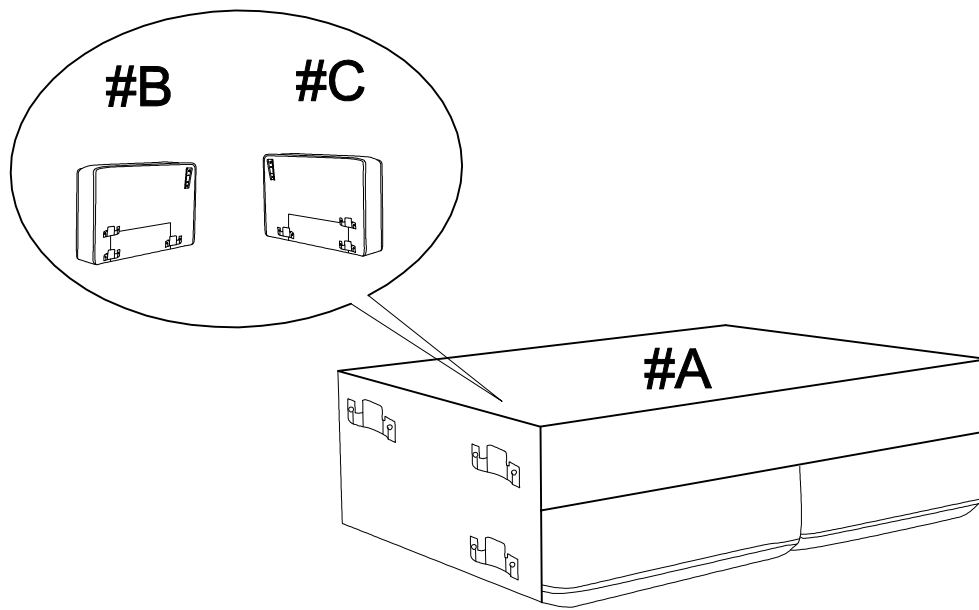
Back rest, arms and support bar are packed in the bottom of seat,  
Legs and hardware are stored in box, please take out for assembly.

**NOTE:** Do not use power tools for assembly. Power tools increase the risk of over tightening which lead to splitting or cracking the wood.

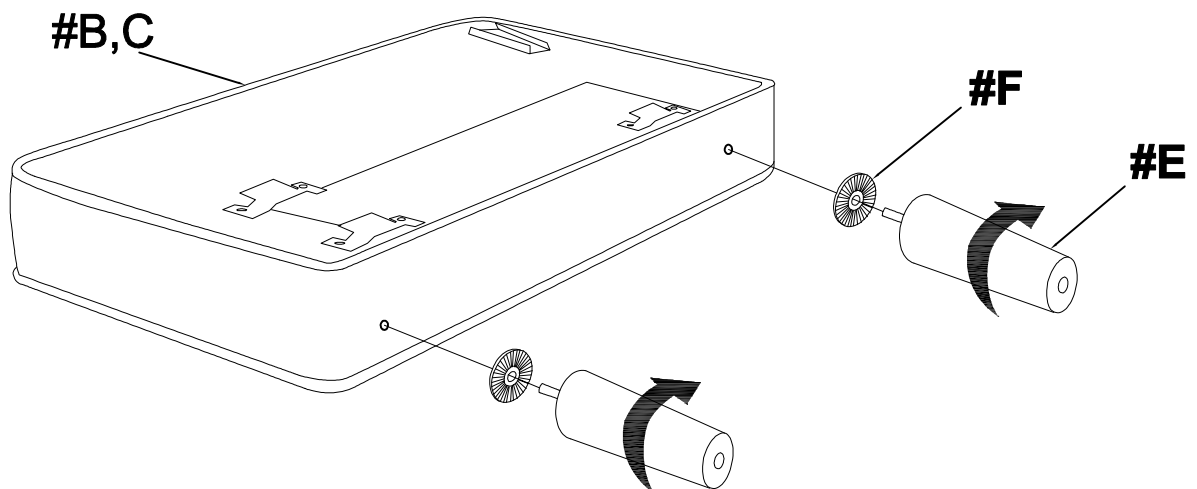
NO.	DRAWING	QTY	DESCRIPTION
A		1	Seat
B		1	LSF Armrest
C		1	RSF Armrest
D		1	Back rest
E		4	Pastic Leg
F		4	Plastic Washer
G		1	Support Bar
H		2	Bolts + Spring washer + Washer
I		1	Allen key



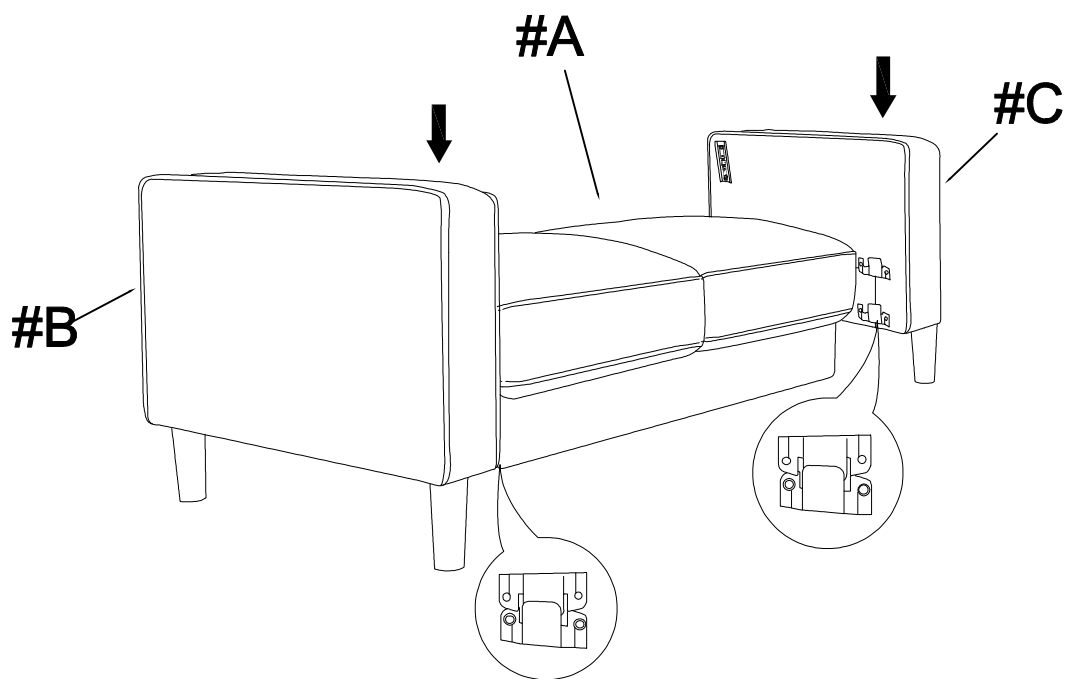
**STEP 1:**



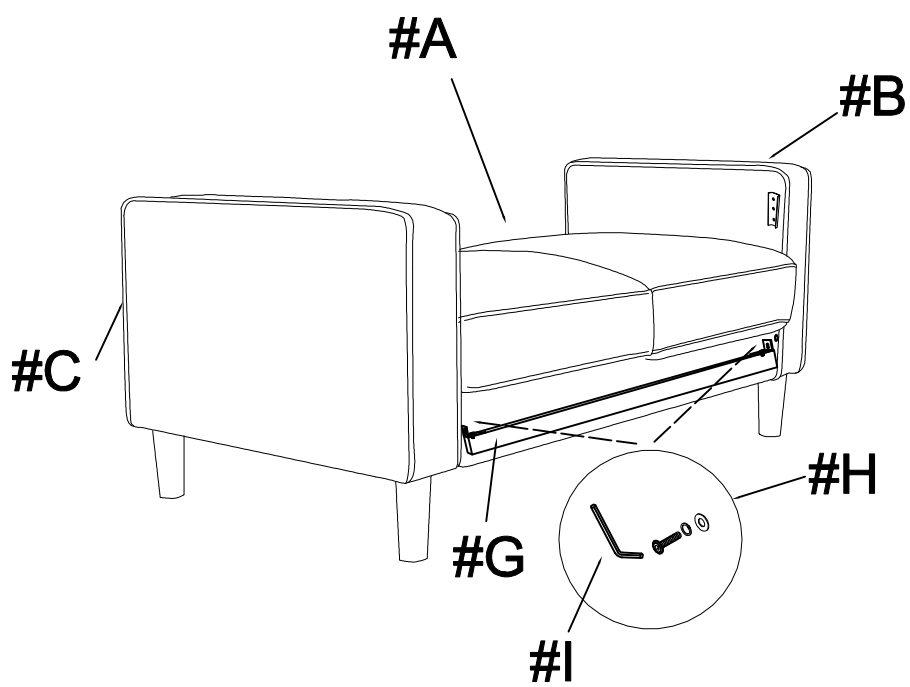
**STEP 2:**



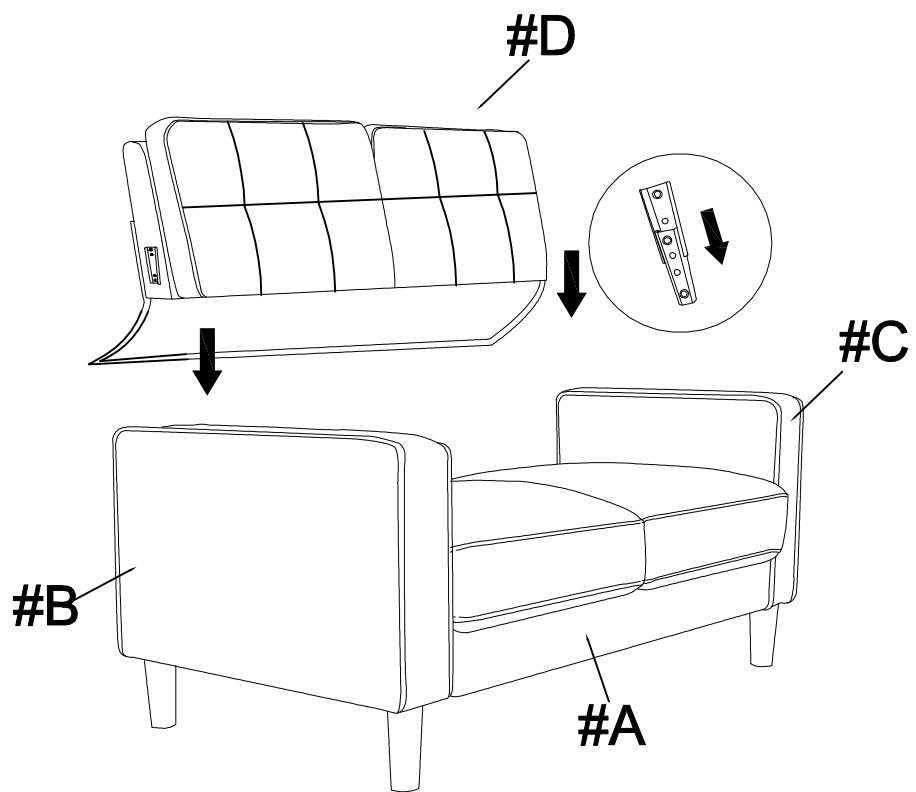
### STEP 3:



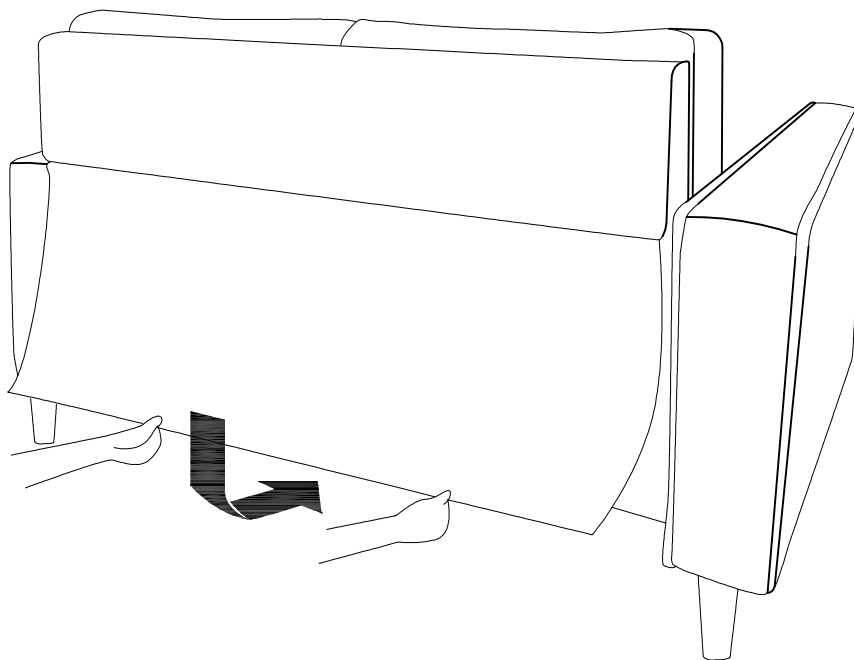
### STEP 4:

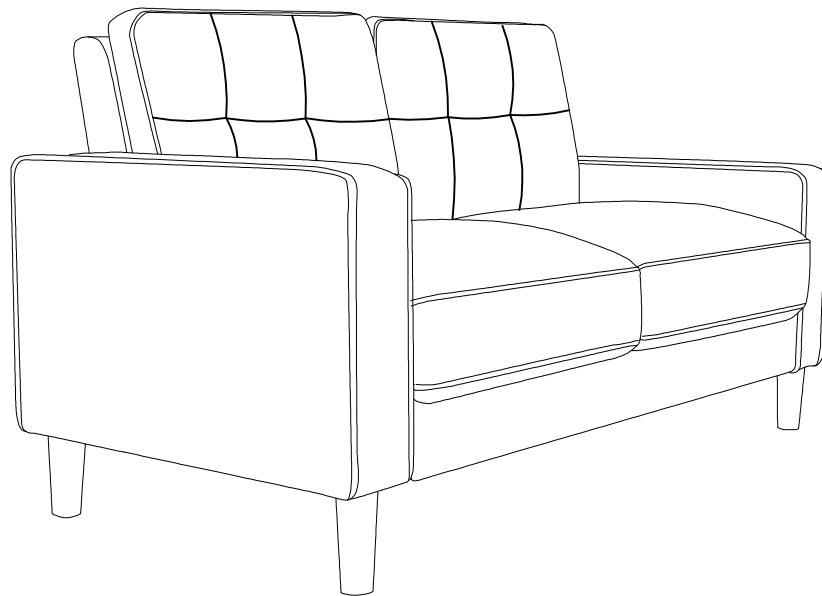


**STEP 5:**



**STEP 6:**





## **Care instruction for Velvet furniture:**

In order to maintain the original appearance of your Velvet furniture, please follow below simple care procedures:

- Avoid exposing furniture directly to sunlight or heating or heating conditioning outlets. Sunlight and or exposure to heating and air conditioning outlets will fade/damage Velvet.
- Do not place your upholstered furniture too close to windows, radiators, or vents, and be sure to use windows, radiators, or vents.
- Vacuum or wipe with a cloth regularly to remove dust.



For items used on wooden floor, hard surfaces or carpets, it is recommended to install protective pads under all legs and supports to avoid/prevent from damages/scratches and discoloration.