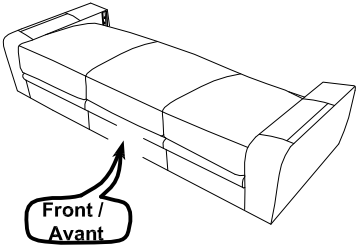
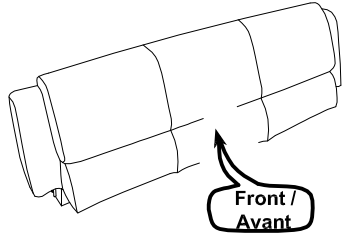
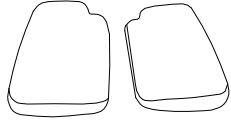
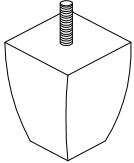
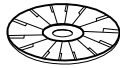
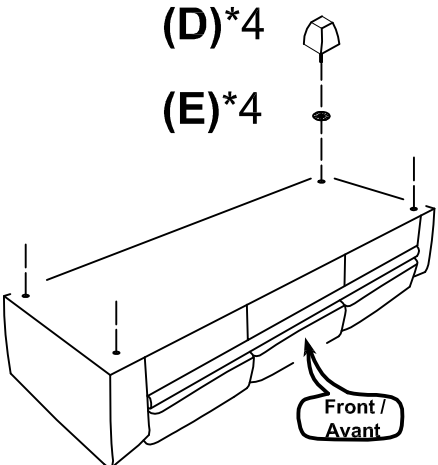
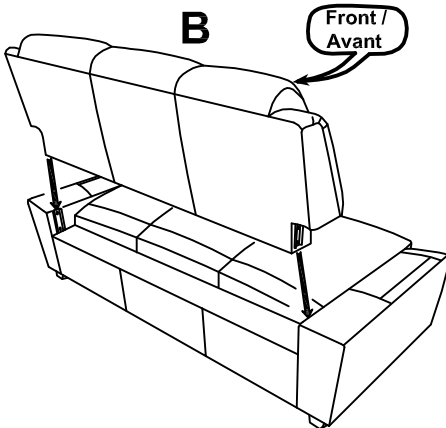
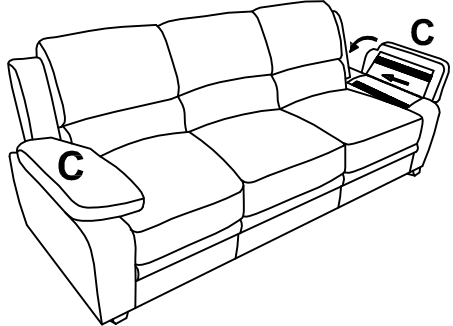


Model: #9138/#9151 -3

Assembly Instructions / Les Instructions D'Assemblage

Parts List / Liste de Pieces:

<p>A*1PC</p> 	<p>B*1PC</p> 	<p>C*1 PAIR / PAIRE</p> 
<p>D*4 PCS</p> 	<p>E*4 PCS</p> 	

<p>Step 1 / Etape 1:</p> 	<p>Step 2 / Etape 2:</p> 	<p>Step 3 / Etape 3:</p> 
---	---	--