



# ASSEMBLY INSTRUCTION

## SOFA TABLE

### ITEM NO: 8570-05



Thank you for being our valued customer. Be sure to check all packing materials carefully for small parts which may have come loose inside the carton during shipment. Identify and count all items and compare them with the parts list below.

**CAUTION: Read the instructions carefully before assembly.**





1. We recommend that you assemble this product with the assistance of another person to eliminate damage to the product during assembly.
2. When you want to reposition the product, please always "LIFT & MOVE".

NOTE: Do not use power tools for assembly. Power tools increase the risk of over tightening which leads to splitting or cracking the wood.

### PARTS LIST

NO.	DESCRIPTION	SKETCH	Q'TY (PC)
①	MARBLE TABLE TOP		1
②	TABLE POLY LEG		4

### HARDWARE LIST

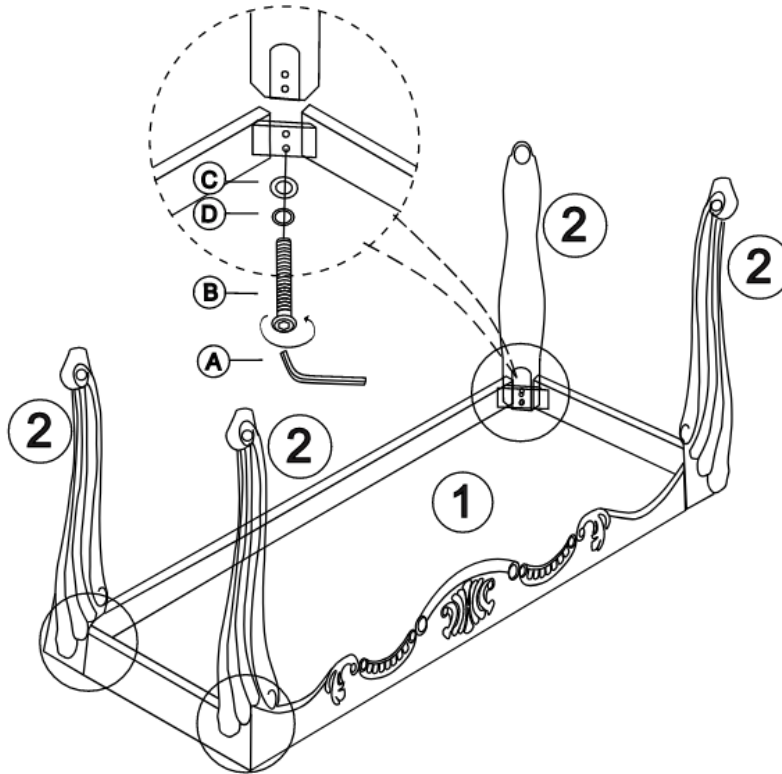
NO.	DESCRIPTION	SKETCH	Q'TY (PC)
Ⓐ	ALLEN KEY Ø5/16"		1
Ⓑ	BOLT Ø5/16" x 3 1/4"		8
Ⓒ	FLAT WASHER Ø5/16" x 7/8"		8
Ⓓ	LOCK WASHER Ø5/16" x 1/2"		8

## How to assemble:

### **STEP 1:**

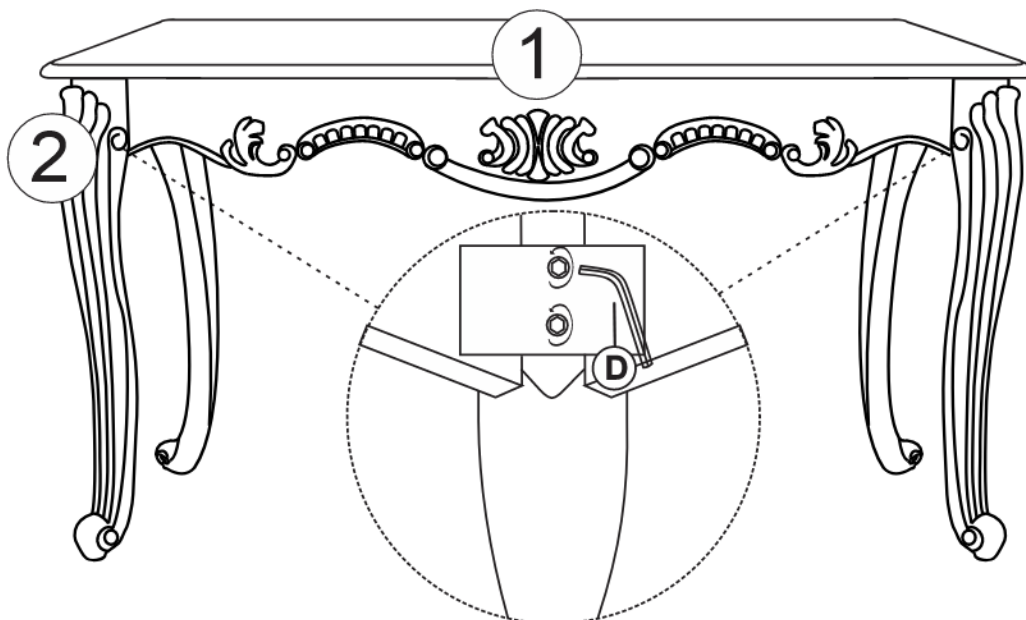
Place the marble table top (1) face down on a clean and soft surface. Assemble the Legs (2) to the marble table top (1) by using Allen key (A) with hardware B,D, and C.

\*DO NOT TIGHTEN THE SCREWS\*

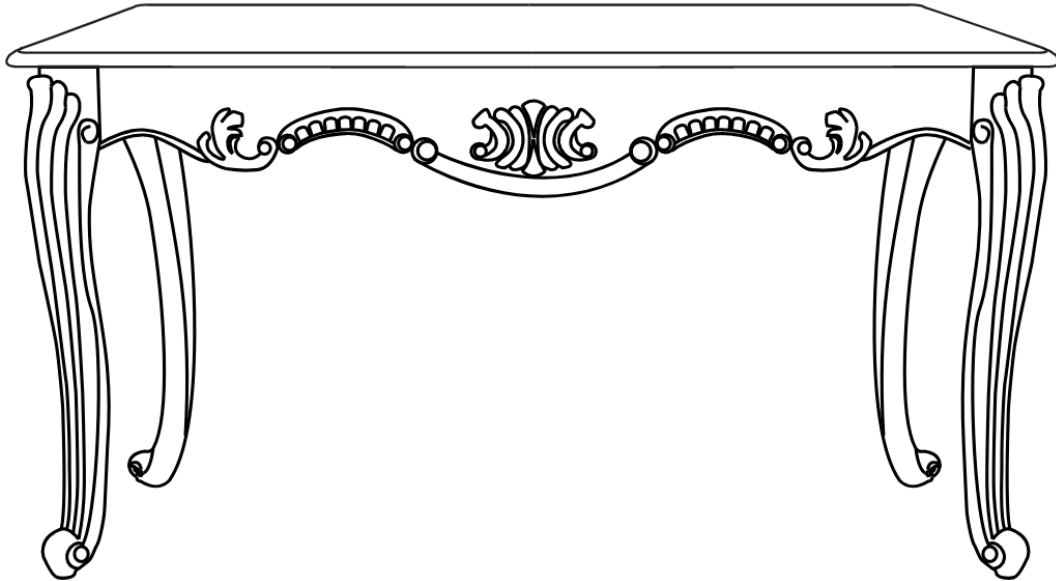


### **STEP 2:**

To level the table, place the table up right on a flat surface then tighten all screws by using Allen Key (D).



# COMPLETED



## CARE INSTRUCTION FOR TABLE:

In order to maintain the original appearance of your table furniture, please follow below simple care procedure:

- It is recommended to install protective pads under all legs and supports to avoid damage or scratches when placing furniture on a wood floor or other hard surface, and to limit indentation and prevent discoloration if placing on carpet.
- Wipe gently with a damp soft cloth to remove dust, dirt and any grime build up.
- Hardware may loosen over time. Periodically check to make sure all connections are tight. Re-tighten if necessary.