



# ASSEMBLY INSTRUCTION

ITEM NO.: 8555BE/BK/GY/GB-VC

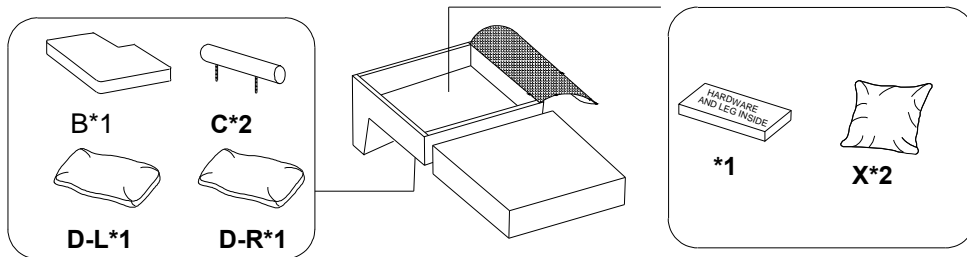
Reversible Chaise w/ 2 Pillows

Legs and hardware are stored in the box, please take out for assembly.

**NOTE:** Do not use power tools for assembly. Power tools increase the risk of over tightening which lead to splitting or cracking the wood.

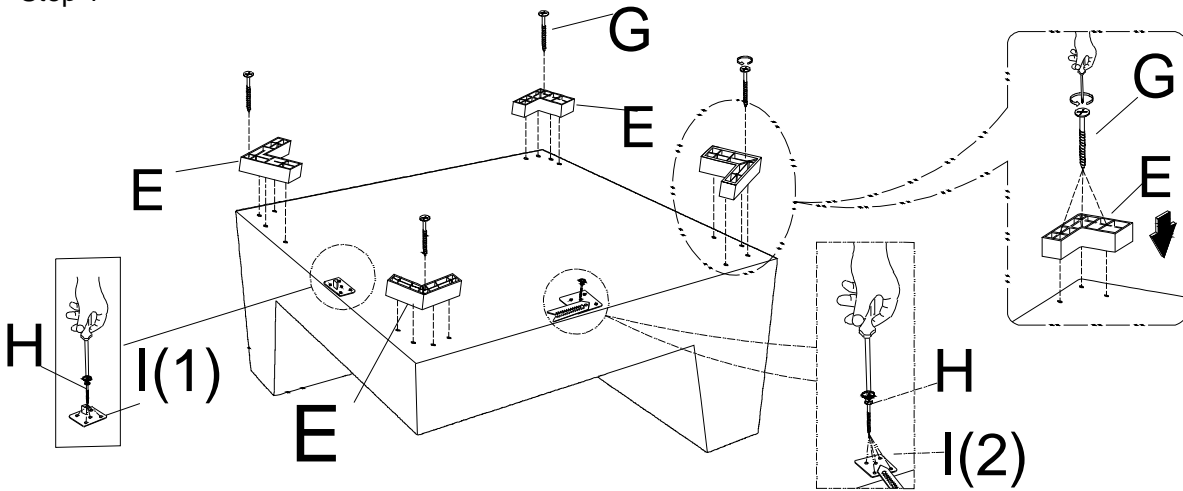
## CHAIR COMPONENT LIST

NO	DRAWING	QTY	DESCIPTION
A		1	SEAT
B		1	SEAT CUSHION
C		2	HEADREST
D-L		1	L LSF BACK CUSHION
D-R		1	R RSF BACK CUSHION
E		8	PLASTIC LEG
F		4	CONNECTOR
G		32	SCREW #4X45MM
X		2	SQUARE PILLOW (DIM 21"x21")
Y		1	OTTOMAN
H		10	SCREW #4X25MM
I		2	ALLIGATOR INSERT

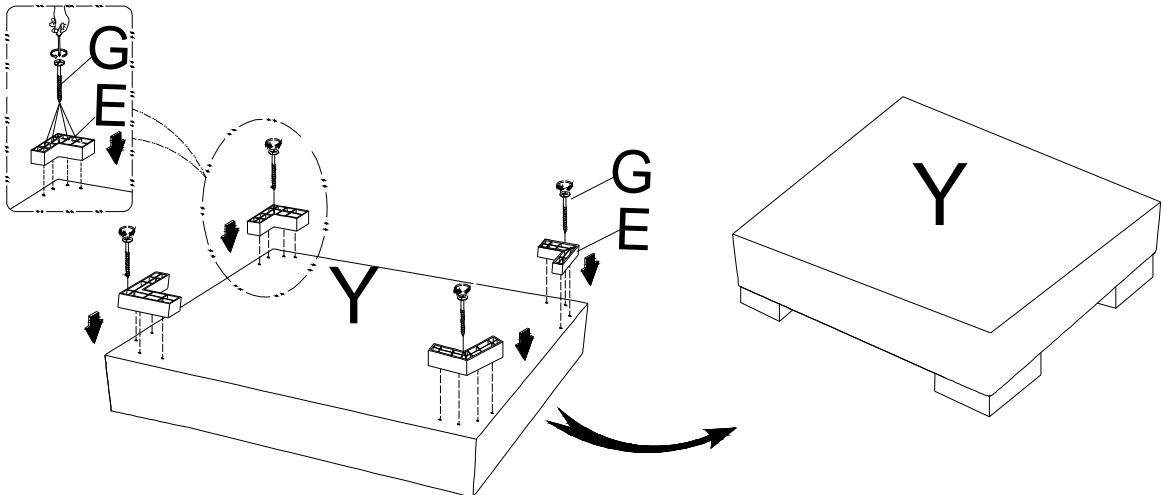


# ASSEMBLY INSTRUCTION

Step 1

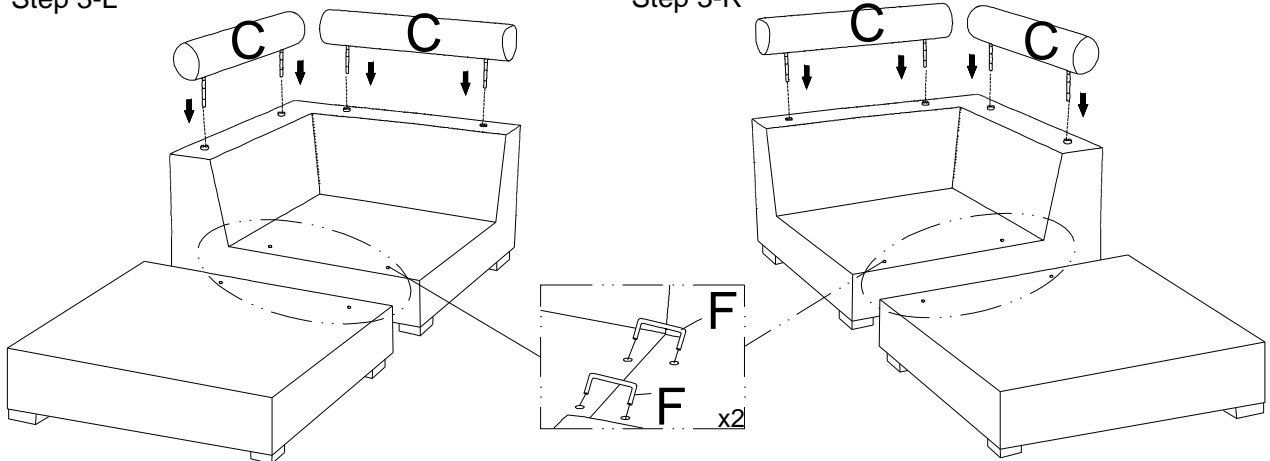


Step 2



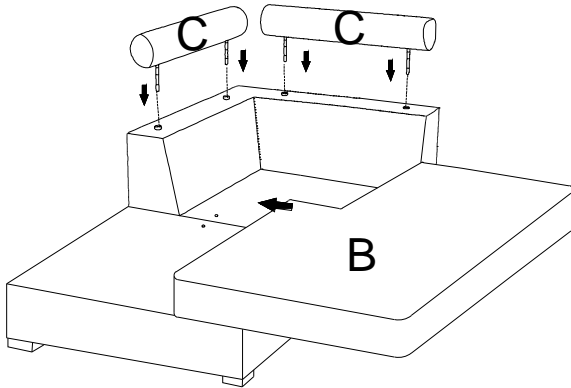
Step 3-L

Step 3-R

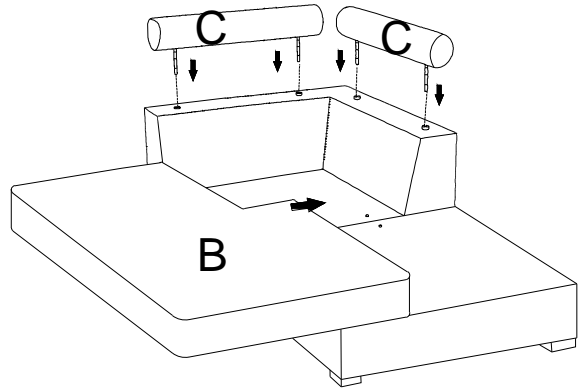


# ASSEMBLY INSTRUCTION

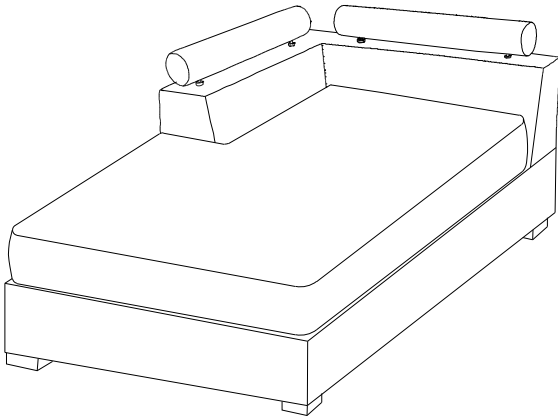
Step 4-L



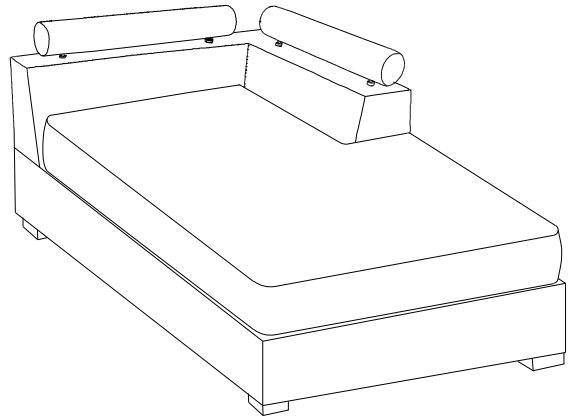
Step 4-R



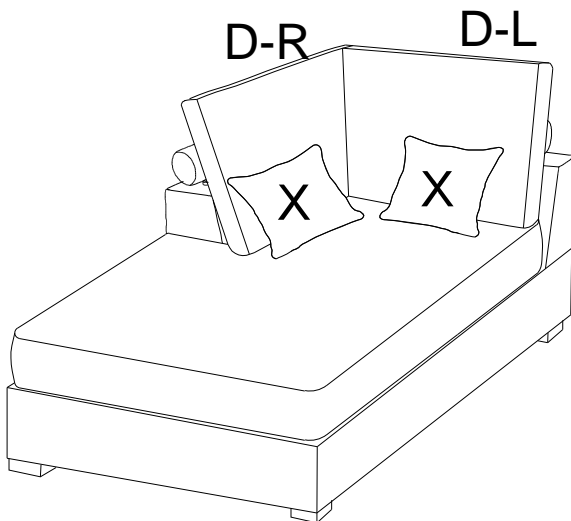
Step 5-L



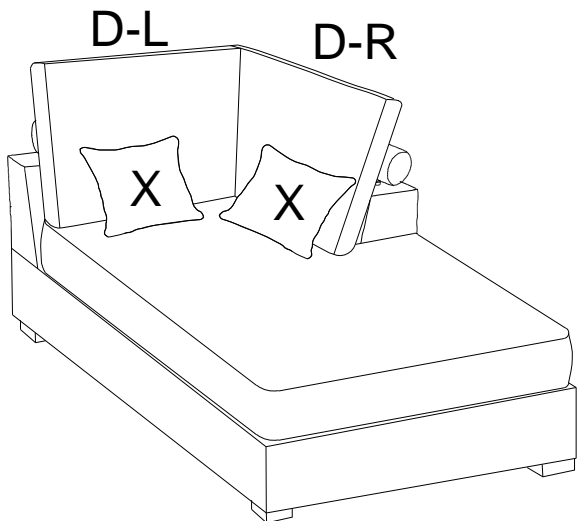
Step 5-R



Step 6-L

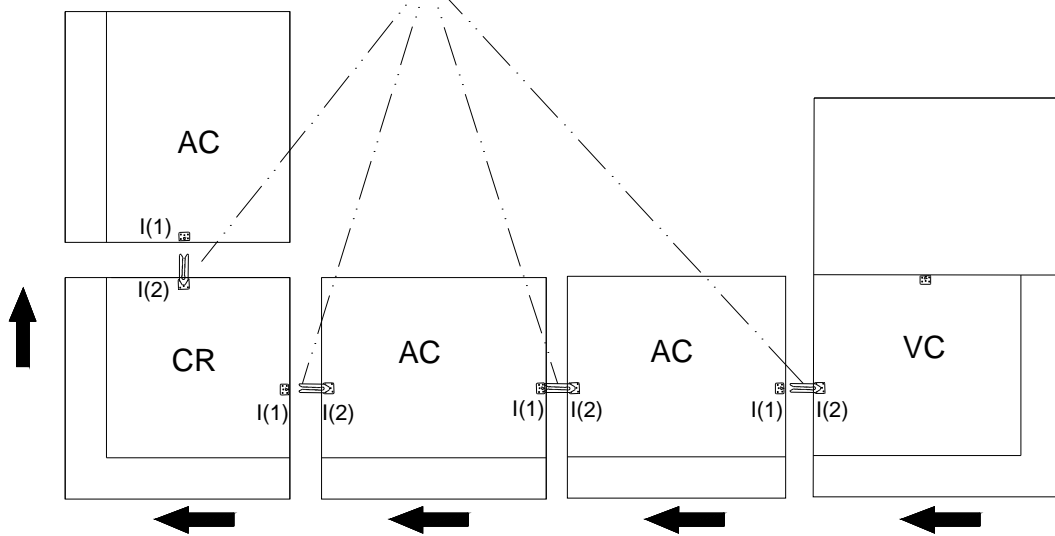
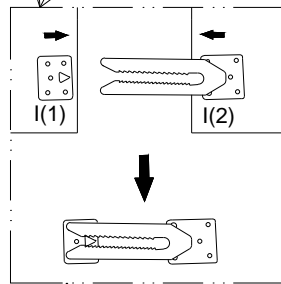
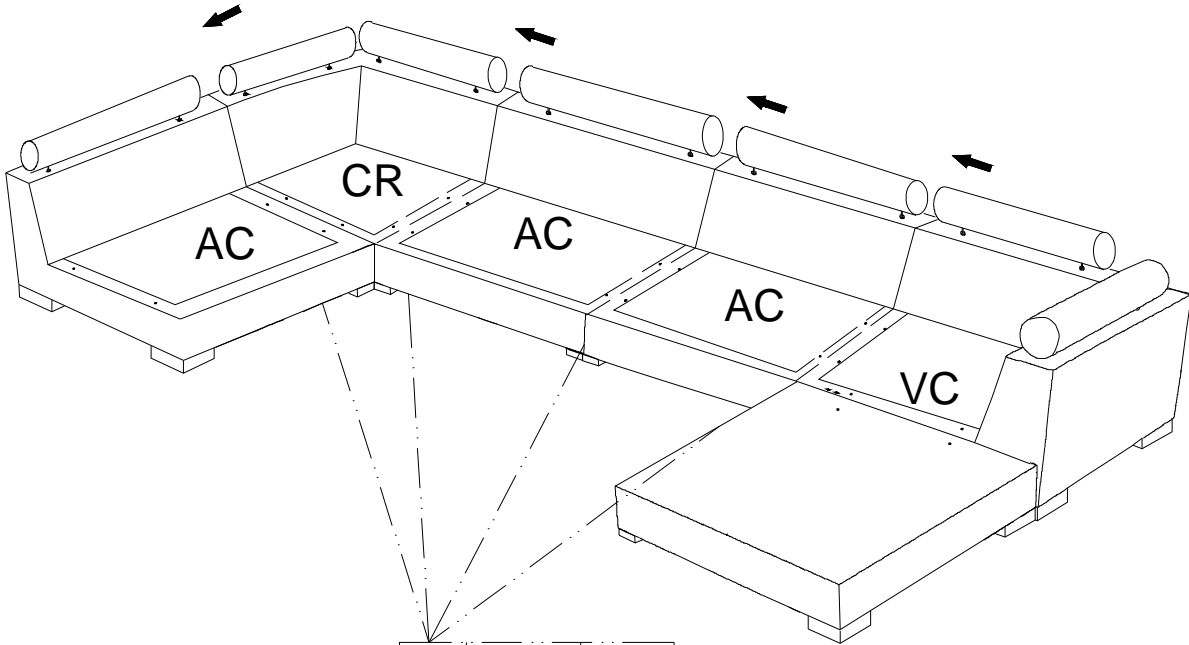


Step 6-R



# ASSEMBLY INSTRUCTION

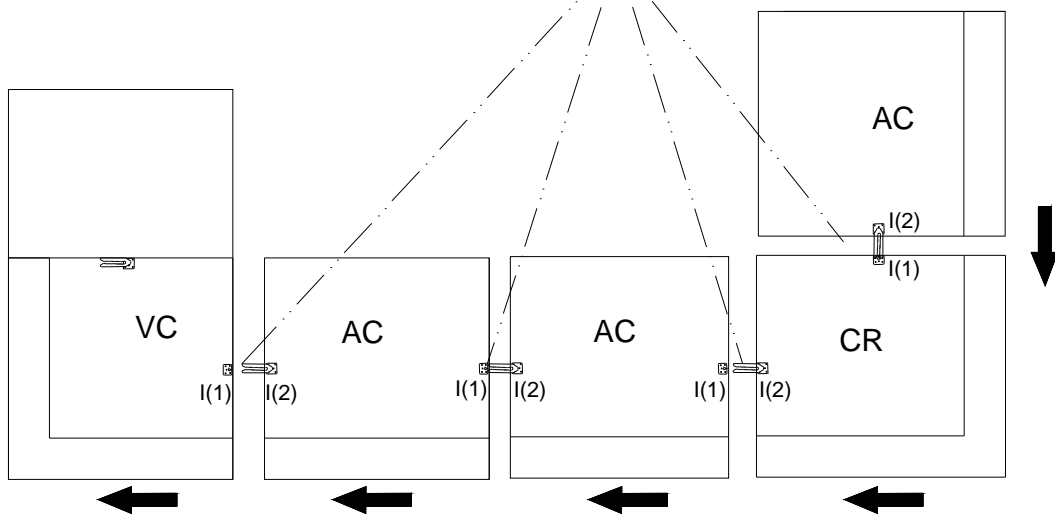
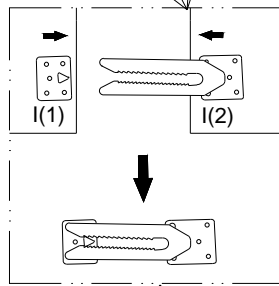
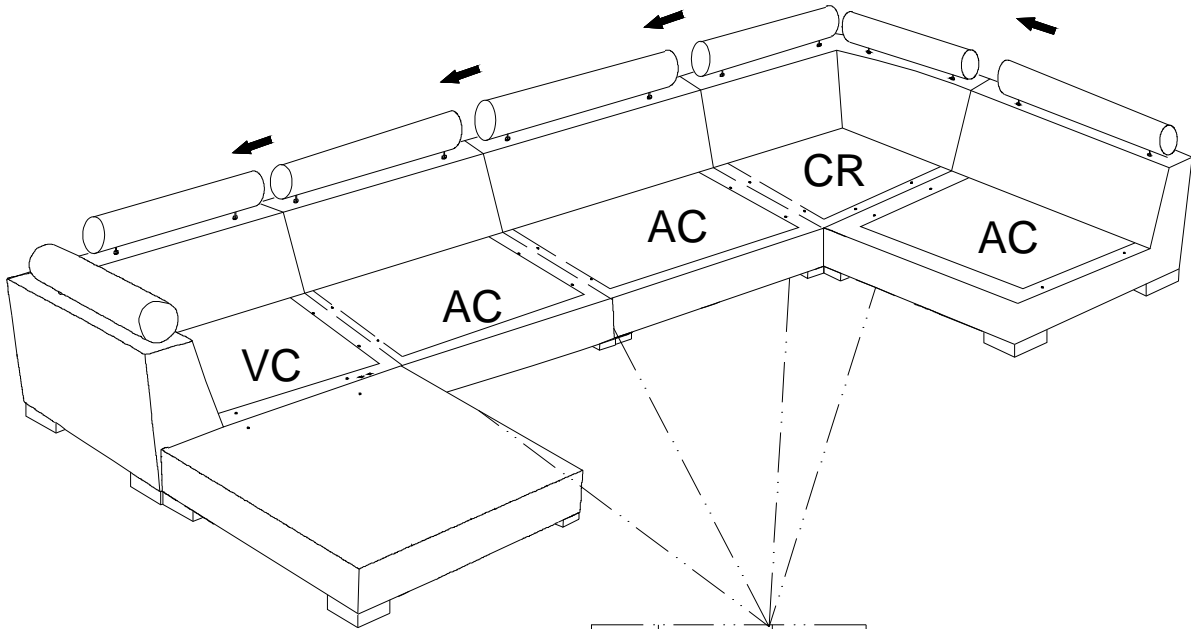
## STEP 1-R



BOTTOM VIEW

# ASSEMBLY INSTRUCTION

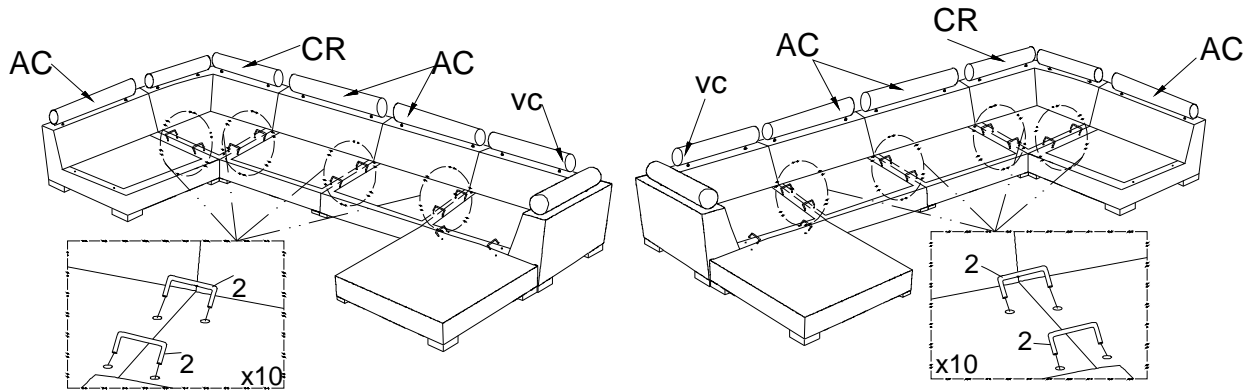
## STEP 1-L



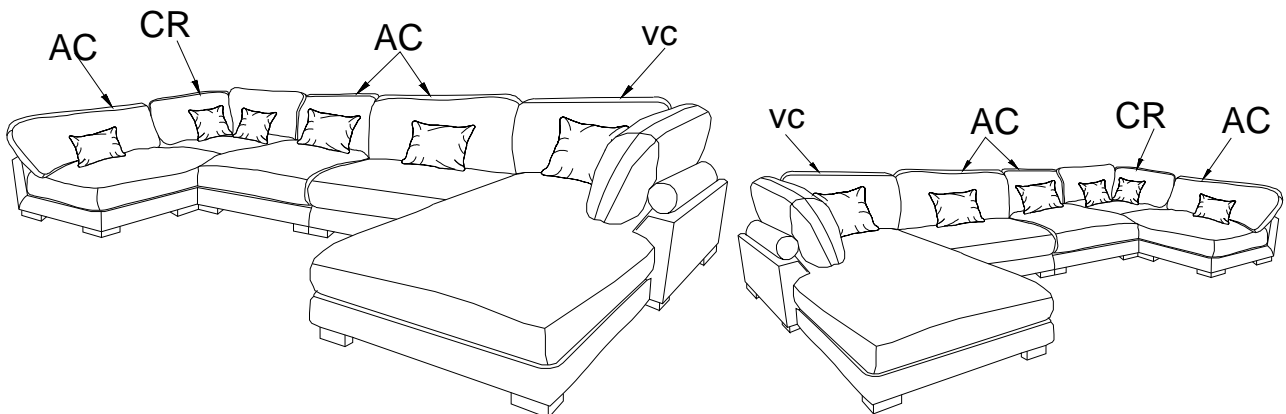
BOTTOM VIEW

# ASSEMBLY INSTRUCTION

## STEP 2



## STEP 3



### Care Instruction for Corduroy Furniture:

In order to maintain the original appearance of your Corduroy furniture, please follow below simple care procedures:

Avoid exposing furniture directly to sunlight or heating and air conditioning outlets. Sunlight and or exposure to heating and air conditioning outlets will fade/damage Corduroy.

Vacuum or wipe with a soft cloth to remove dust.

Hardware may loosen over time. Periodically check to make sure all connection are tight, Re-tighten if necessary.



For item use on wooden floor, hard surfaces or carpets, it is recommended to install protective pads under all legs and supports to avoid/prevent from damages/scratches and discoloration.