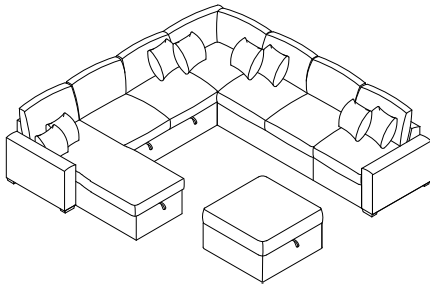


# ASSEMBLY INSTRUCTIONS

ITEM NO.: 8548-2ACL Armless Convertible 2-Seater with Pull-out Bed and Click Motion Back  
 8548-2A Armless 2-Seater  
 8548-CR Corner Seat  
 8548-AC Armless Chair  
 8548-VCCL Armless Convertible Storage Chaise with Click Motion Back  
 8548-A Two Arms  
 8548-OT Storage Ottoman with Casters



Thank you for purchasing this product. Please take time to read and follow the instructions below. Check that you have all parts and hardware before assembly. Parts apparently missing are often found in the packing materials. If you do not have all the parts listed, have your dealer contact us and they be sent to you immediately.

It is recommended to install protective pads under all legs and support to avoid damage or scratches when placing furniture on a wood floor or other hard surface, and to limit Indentation and prevent discoloration if placing on carpet.

## 8548-2ACL PARTS LISTS

| NO. | SKETCH | DESCRIPTION       | QTY   |
|-----|--------|-------------------|-------|
| A   |        | Seat              | 1 PC  |
| B   |        | Back Cushion      | 2 PCS |
| C   |        | Pillow<br>20"x20" | 1 PC  |
| D   |        | Pillow<br>18"x18" | 1 PC  |

## 8548-2A PARTS LISTS

| NO. | SKETCH | DESCRIPTION       | QTY   |
|-----|--------|-------------------|-------|
| E   |        | Seat              | 1 PC  |
| F   |        | Backrest          | 1 PC  |
| B   |        | Back Cushion      | 2 PCS |
| C   |        | Pillow<br>20"x20" | 1 PC  |
| D   |        | Pillow<br>18"x18" | 1 PC  |

## 8548-CR PARTS LISTS

| NO. | SKETCH | DESCRIPTION           | QTY  |
|-----|--------|-----------------------|------|
| G   |        | Seat                  | 1 PC |
| H   |        | Small Back<br>Cushion | 1 PC |
| I   |        | Big Back Cushion      | 1 PC |
| C   |        | Pillow<br>20"x20"     | 1 PC |
| D   |        | Pillow<br>18"x18"     | 1 PC |

## 8548-AC PARTS LISTS

| NO. | SKETCH | DESCRIPTION  | QTY  |
|-----|--------|--------------|------|
| J   |        | Seat         | 1 PC |
| K   |        | Backrest     | 1 PC |
| B   |        | Back Cushion | 1 PC |

## 8548-VCCL PARTS LISTS

| NO. | SKETCH | DESCRIPTION       | QTY  |
|-----|--------|-------------------|------|
| L   |        | Seat              | 1 PC |
| B   |        | Back Cushion      | 1 PC |
| C   |        | Pillow<br>20"x20" | 1 PC |
| D   |        | Pillow<br>18"x18" | 1 PC |

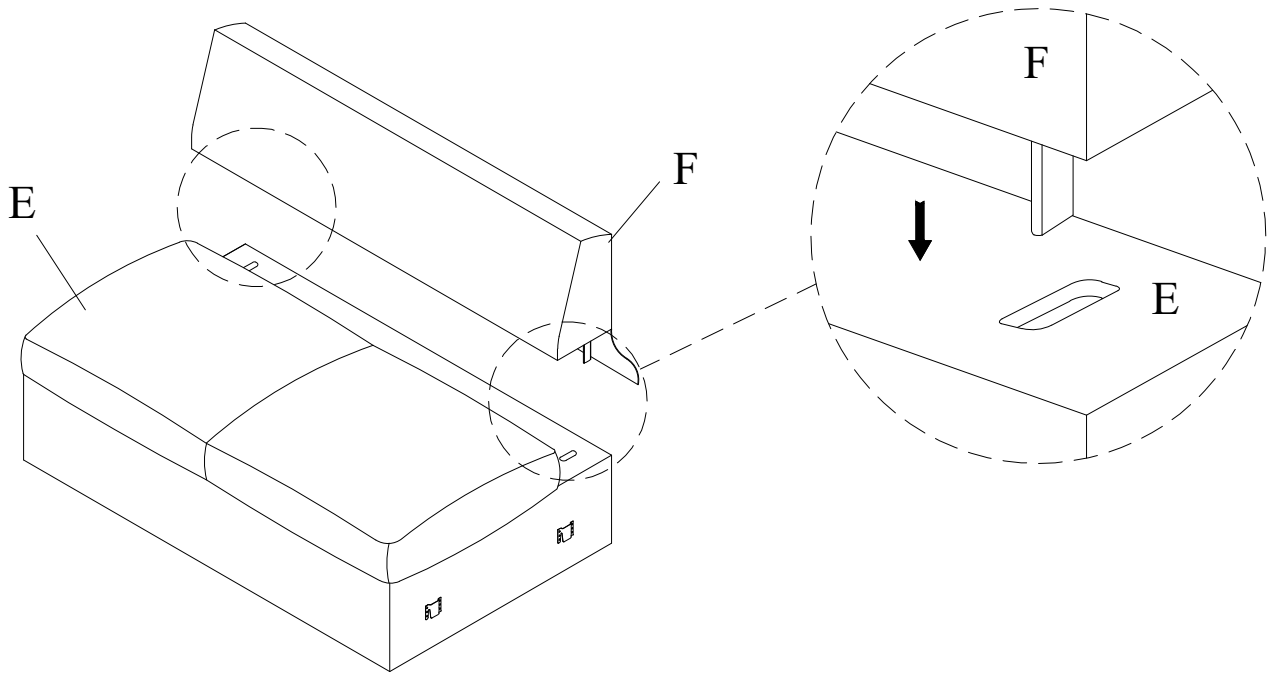
## 8548-A PARTS LISTS

| NO. | SKETCH | DESCRIPTION | QTY  |
|-----|--------|-------------|------|
| M   |        | LSF Arm     | 1 PC |
| N   |        | RSF Arm     | 1 PC |

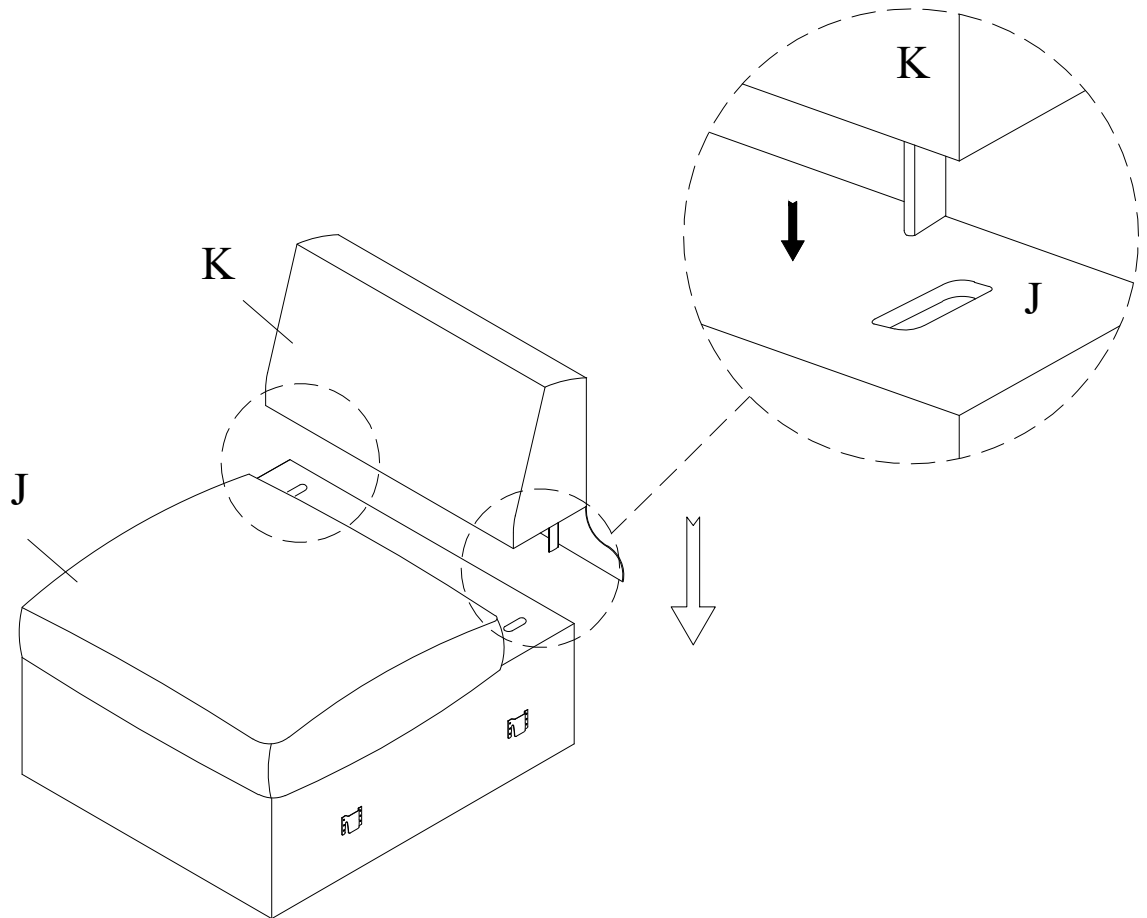
## 8548-OT PARTS LISTS

| NO. | SKETCH | DESCRIPTION | QTY  |
|-----|--------|-------------|------|
| O   |        | Ottoman     | 1 PC |

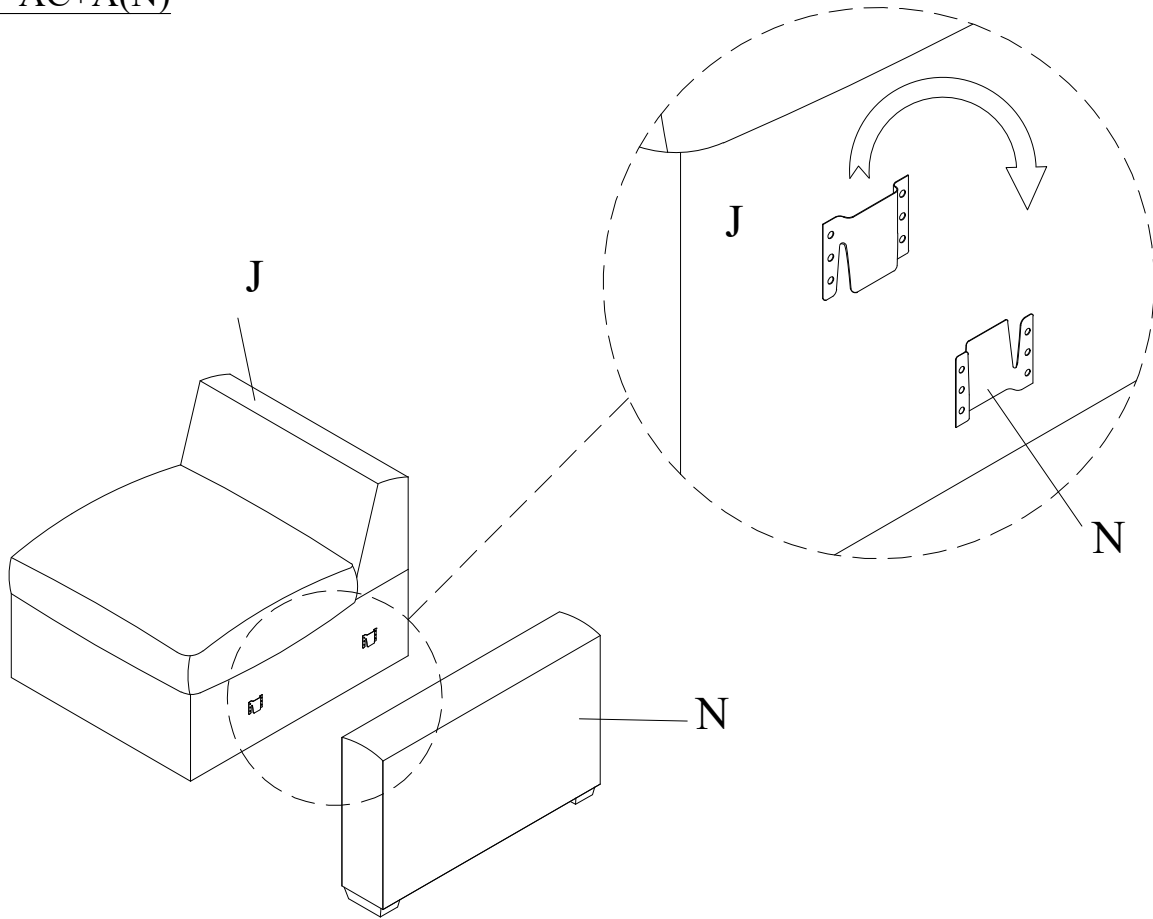
STEP 1: -2A



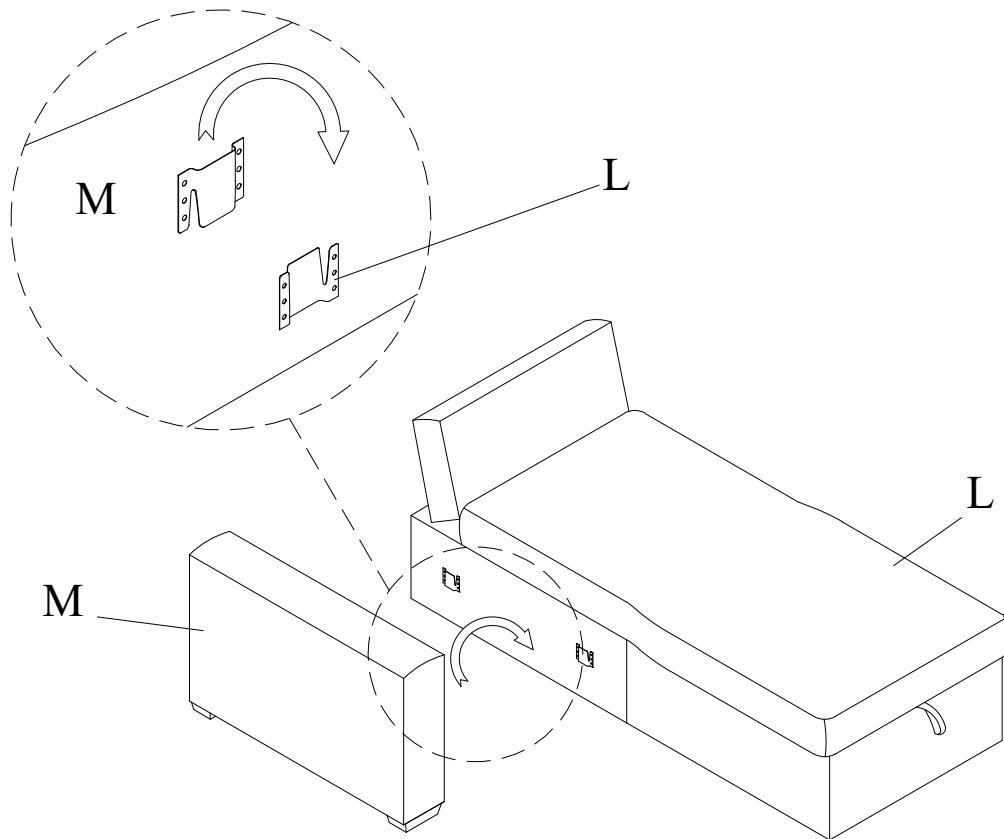
STEP 2: -AC



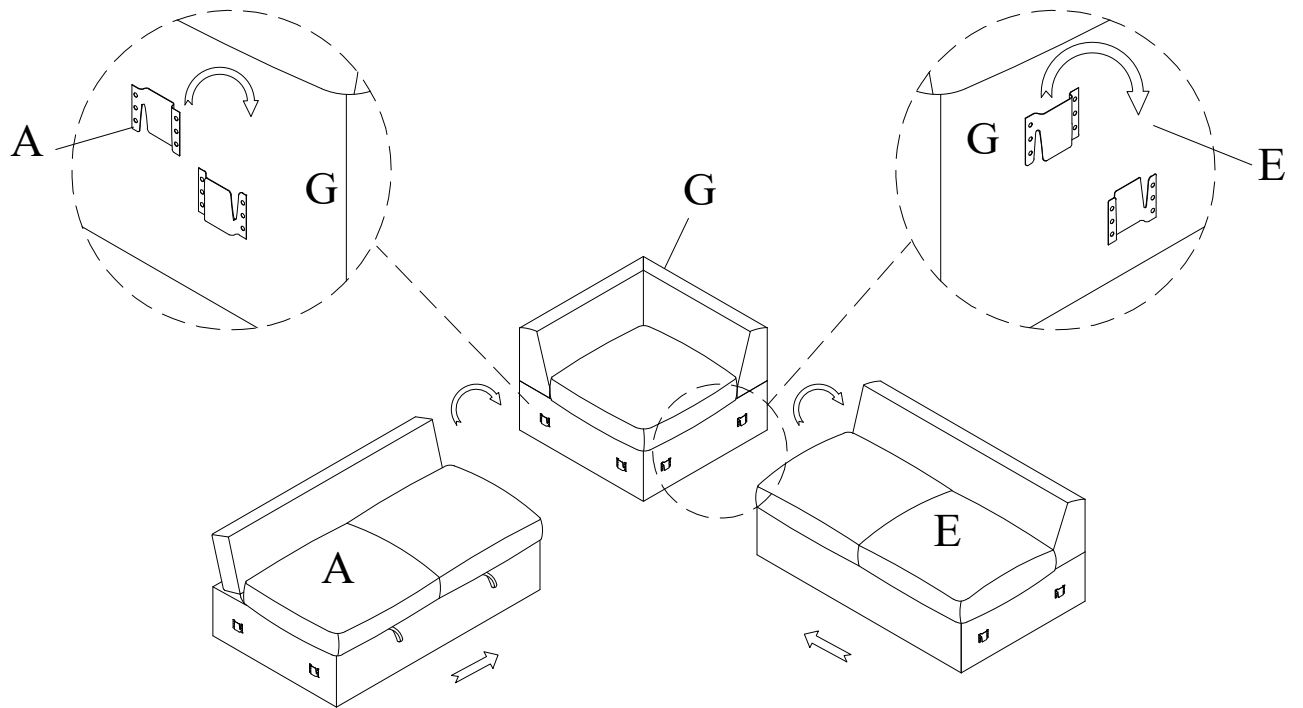
STEP 3: -AC+A(N)



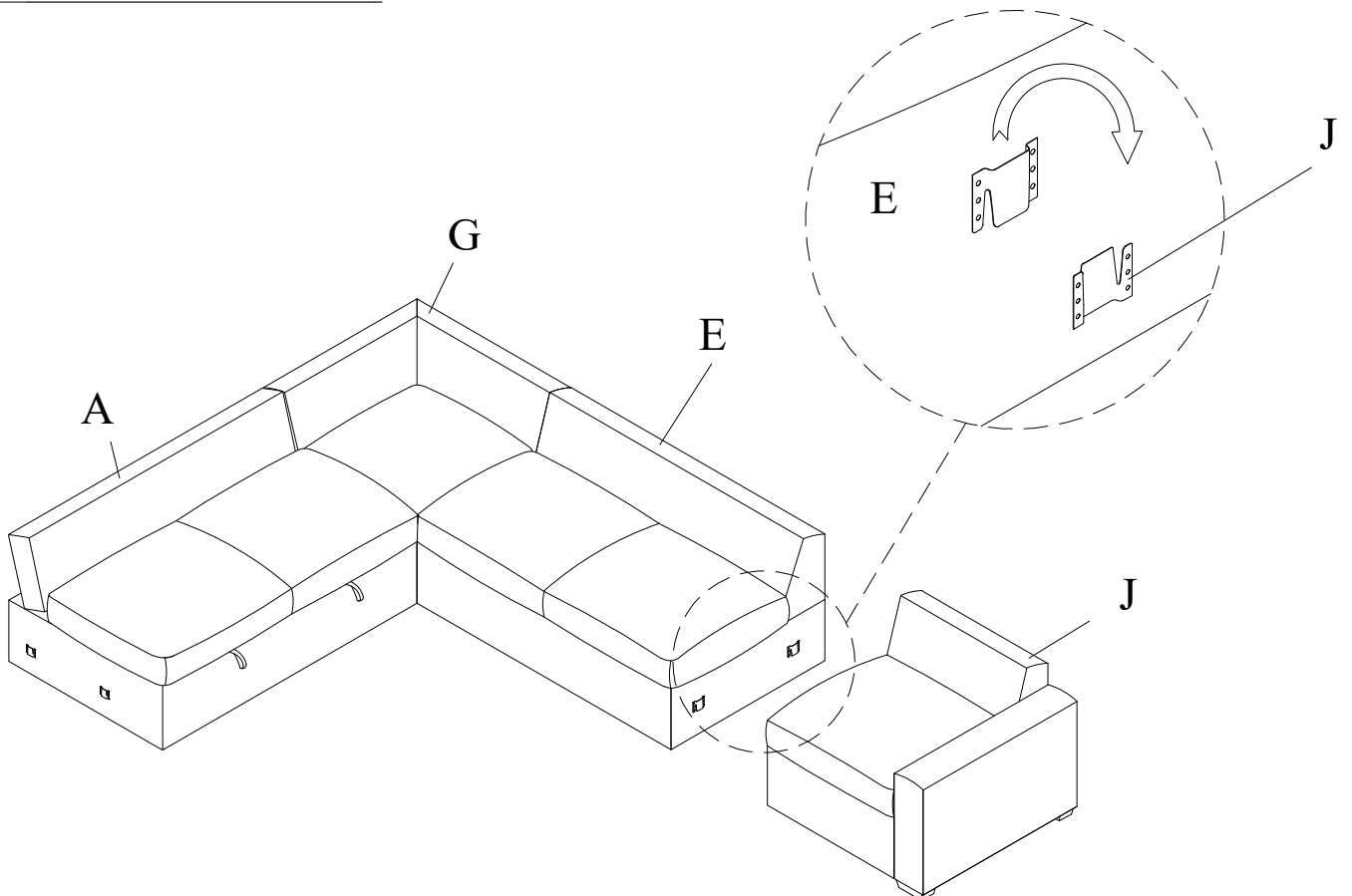
STEP 4: -VCCL+A(M)



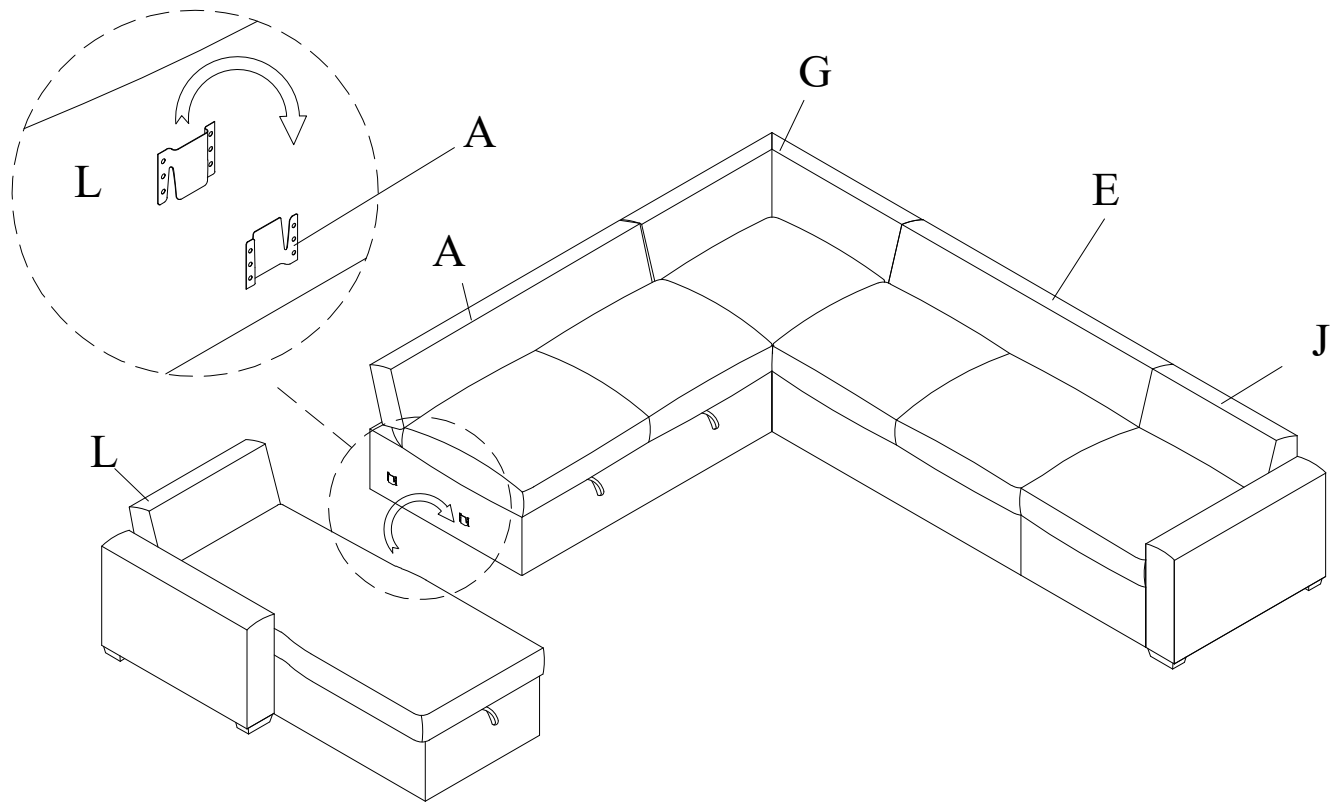
STEP 5: -2ACL+CR+2A



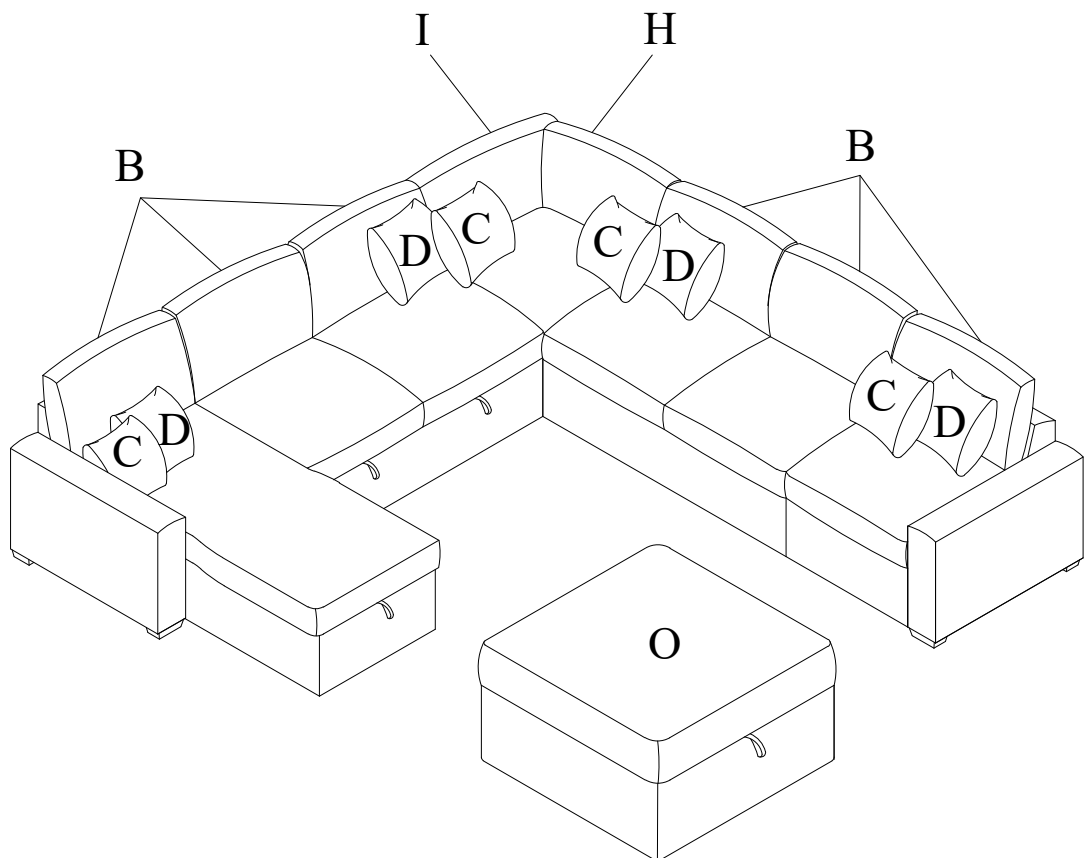
STEP 6: -2ACL+CR+2A+AC



STEP 7: -VCCL+2ACL+CR+2A+AC



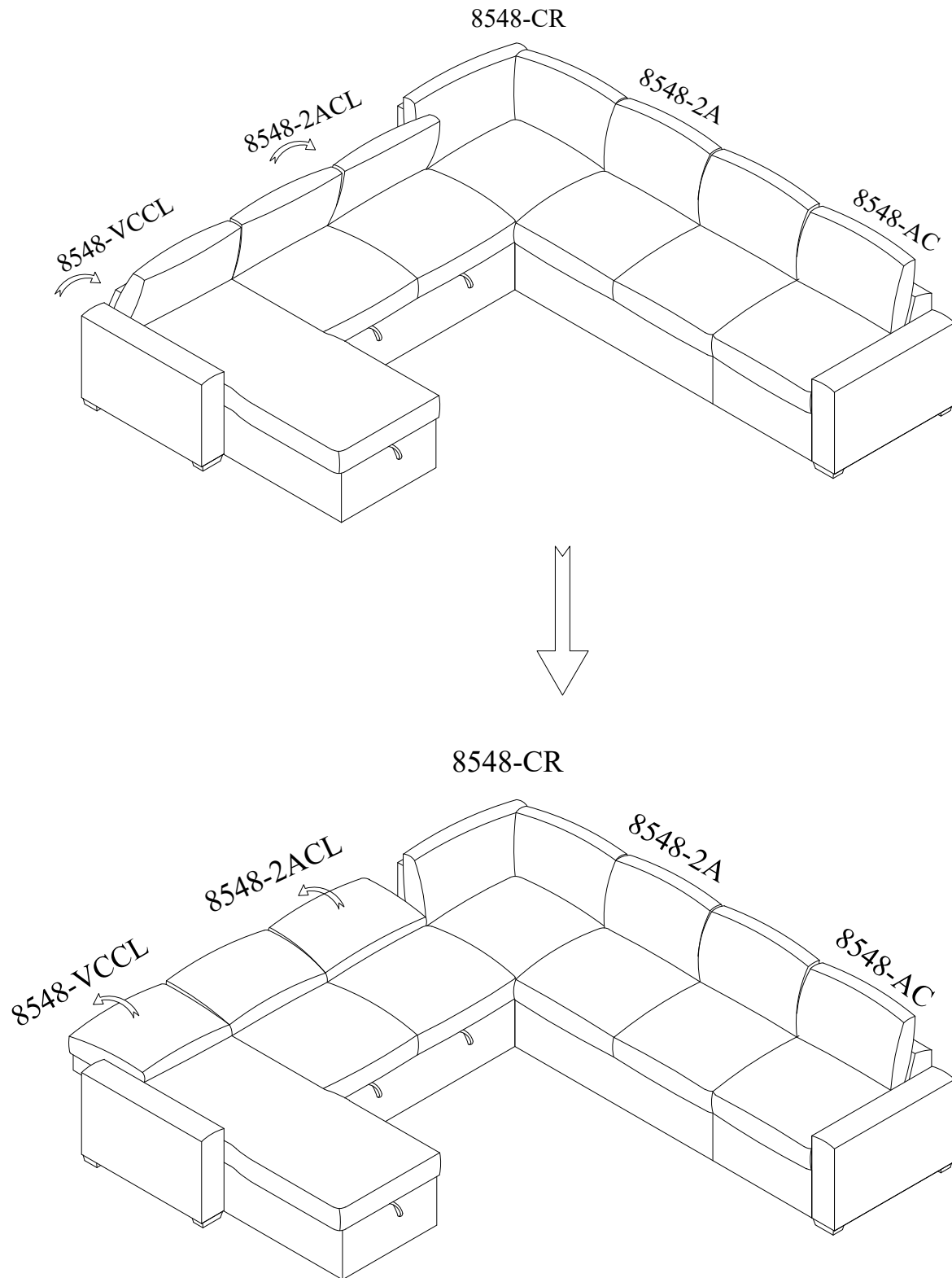
STEP 8: -VCCL+2ACL+CR+2A+AC also the OT



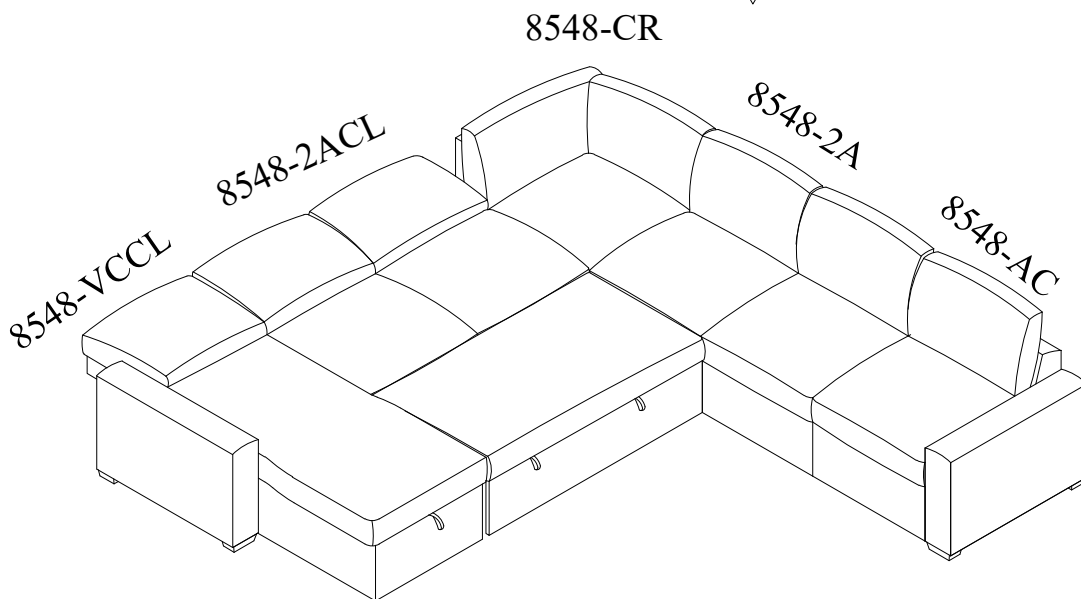
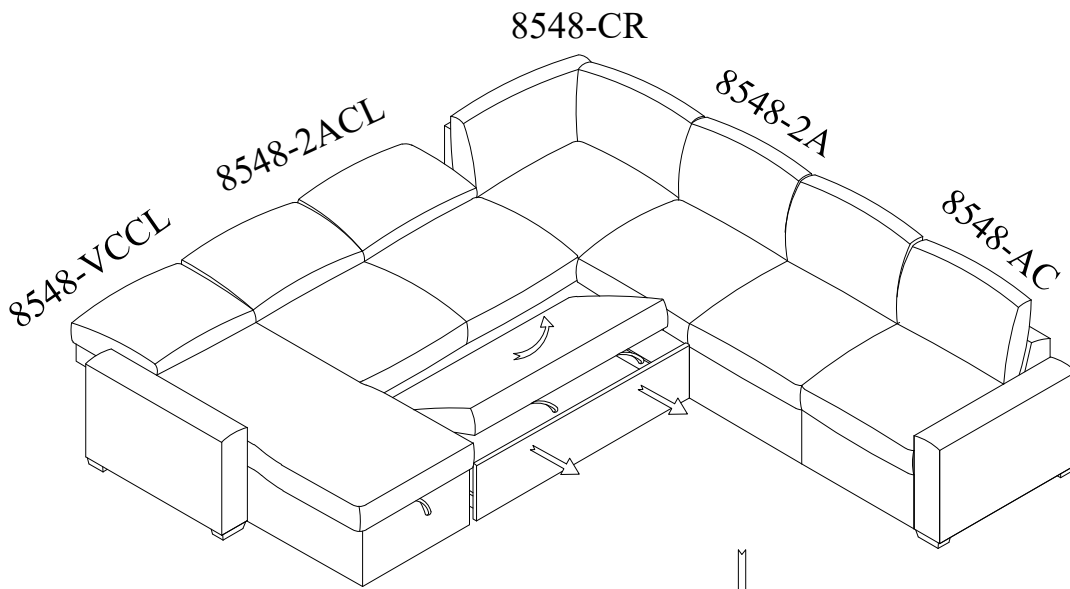
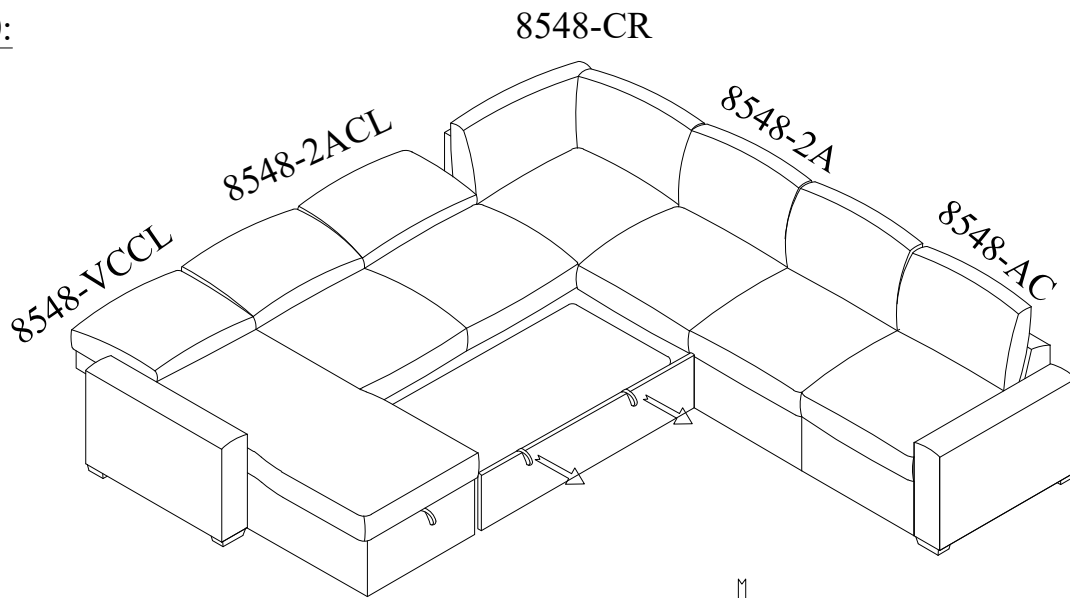
# TO CONVERT TO BED

## STEP 9:

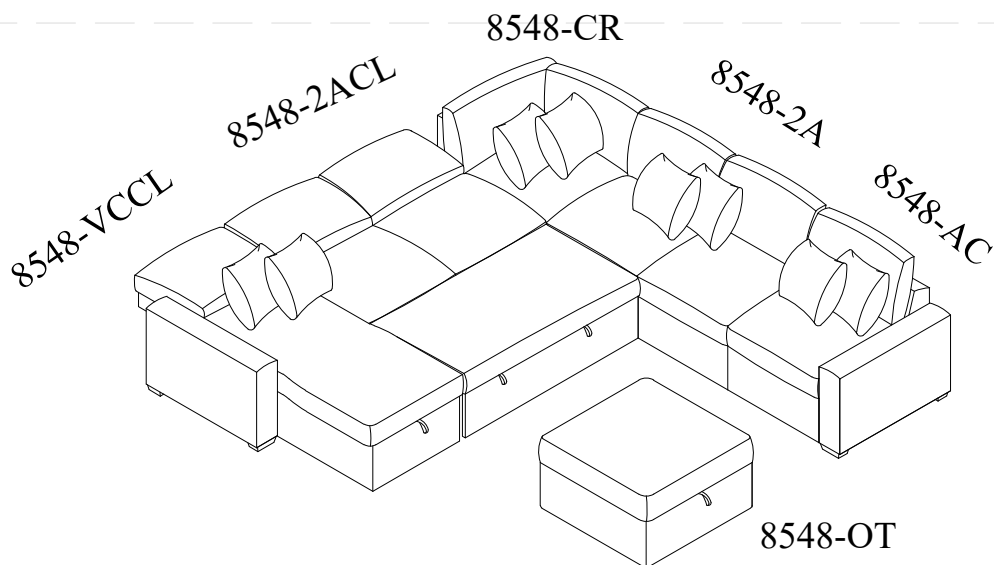
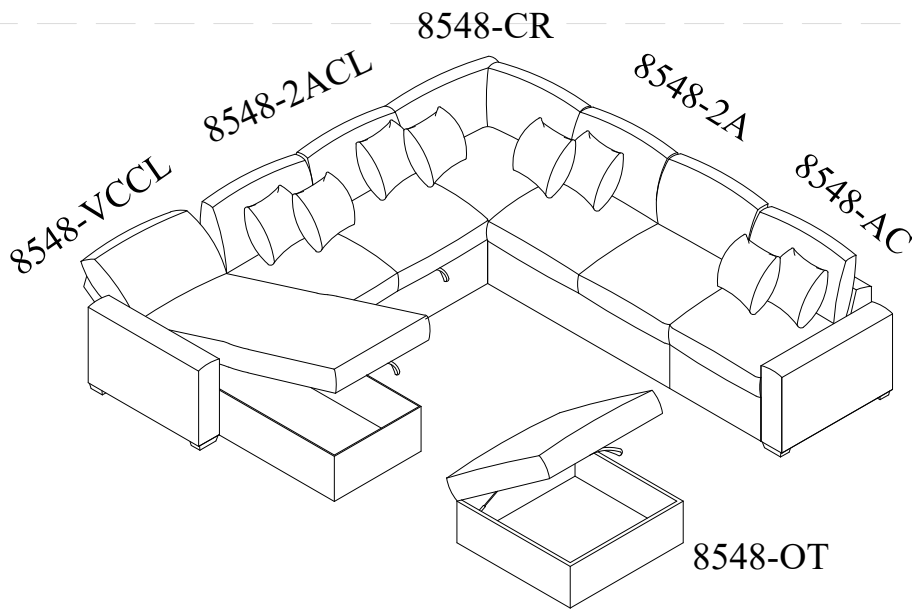
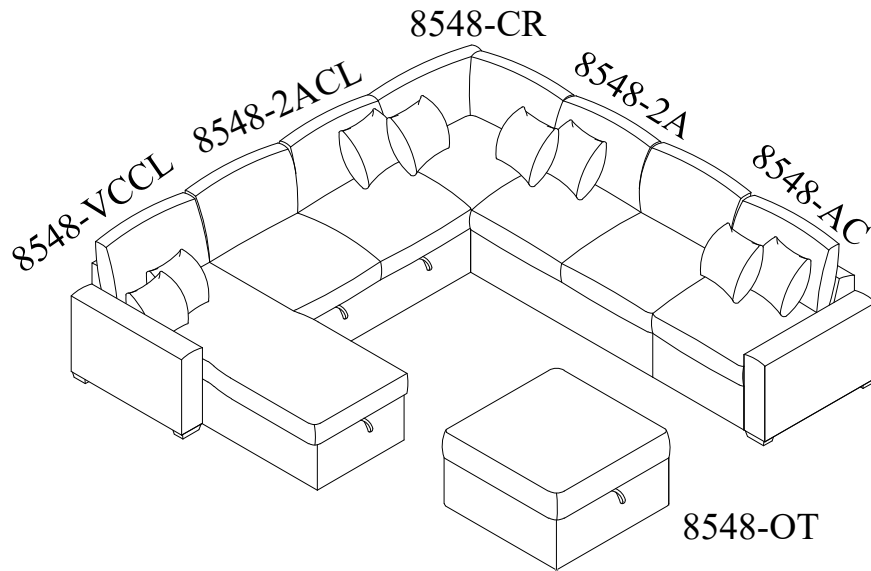
Push the backrest forward to unlock it ( you will hear a click sound), this will release the backrest from the upright position. Then push the backrest all the way to the back until completely flat.



STEP 10:




COMPLETED



### Care Instruction for Microfiber Textured Fabric Furniture:

In order to maintain the original appearance of your microfiber textured fabric furniture, please follow below simple care procedures:

- Avoid exposing furniture directly to sunlight or heating and air conditioning outlets.  
Sunlight and or exposure to heating and air conditioning outlets will fade/damage microfiber textured fabric.
- Vacuum or wipe with a soft cloth to remove dust.
- Hardware may loosen over time. Periodically check to make sure all connection are tight, Re-tighten if necessary

 For item use on wooden floor,hard surfaces or carpets,it is recommended to install protective pads under all legs and supports to avoid/prevent from damages/scratches and discoloration.