



ASSEMBLY INSTRUCTION

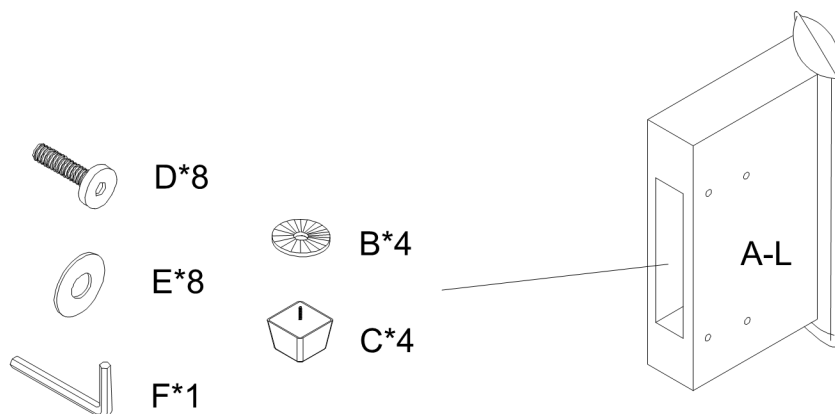
ITEM NO.: 8450TPE/PWT-A
2arms with adjustable pillow top



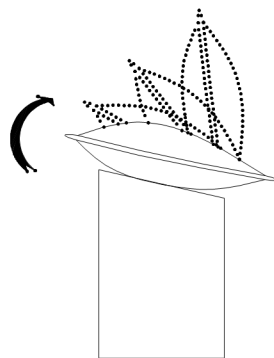
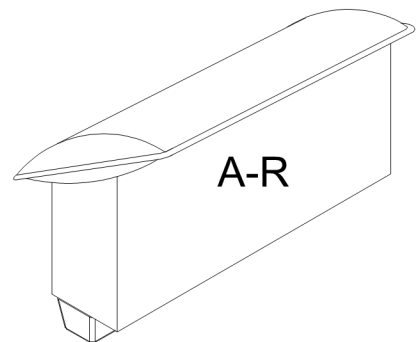
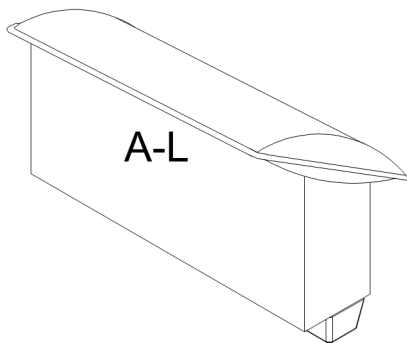
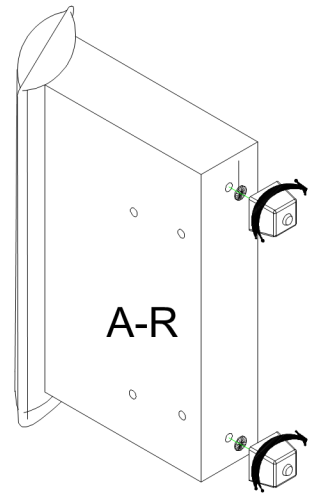
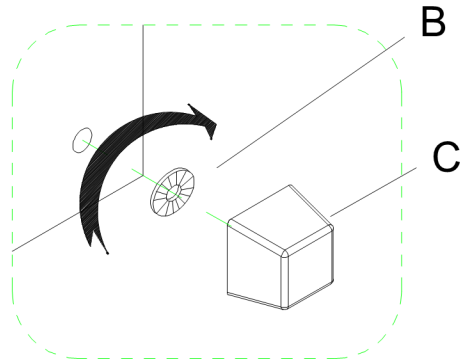
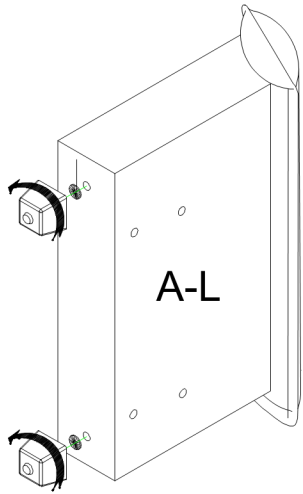
NOTE: Do not use power tools for assembly. Power tools increase the risk of over tightening which lead to splitting or cracking the wood.

ARM COMPONENT LIST

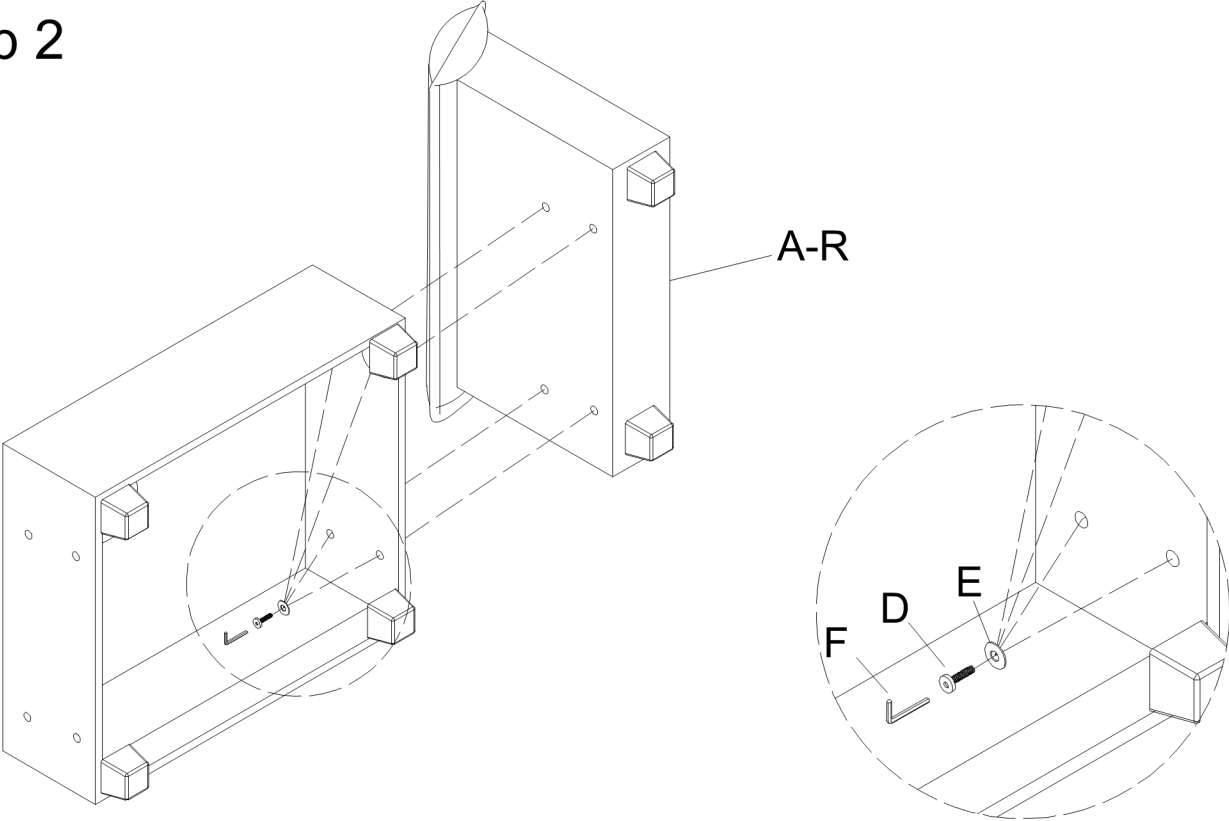
NO	DRAWING	QTY	DESCTIPTION
A-L		1	L LSF ARM
A-R		1	R RSF ARM
B		4	Plastic Washer((Φ 45*3mm)
C		4	PLASTIC LEG(80*80*80mm)
D		8	BOLT M8*60mm
E		8	WASHER(Φ 19*1.5mm)
F		1	ALLEY KEY



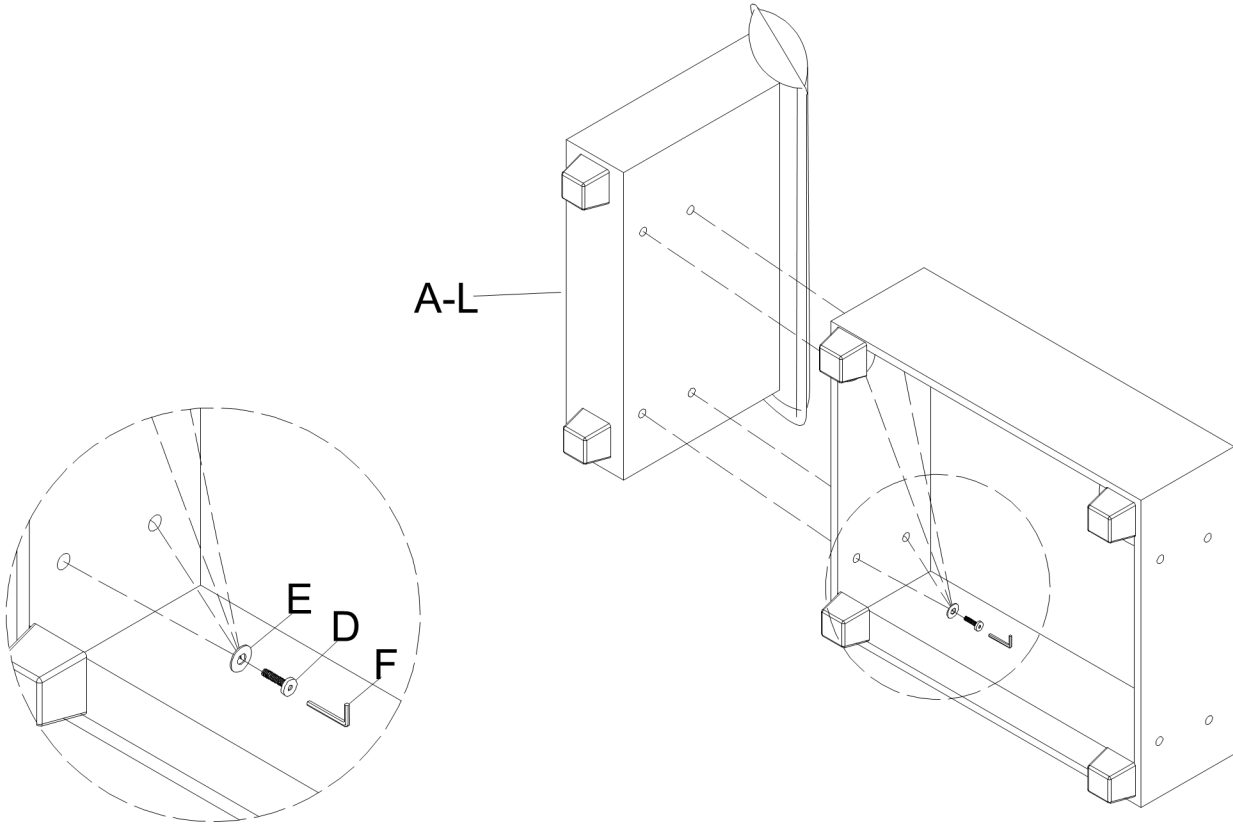
Step 1

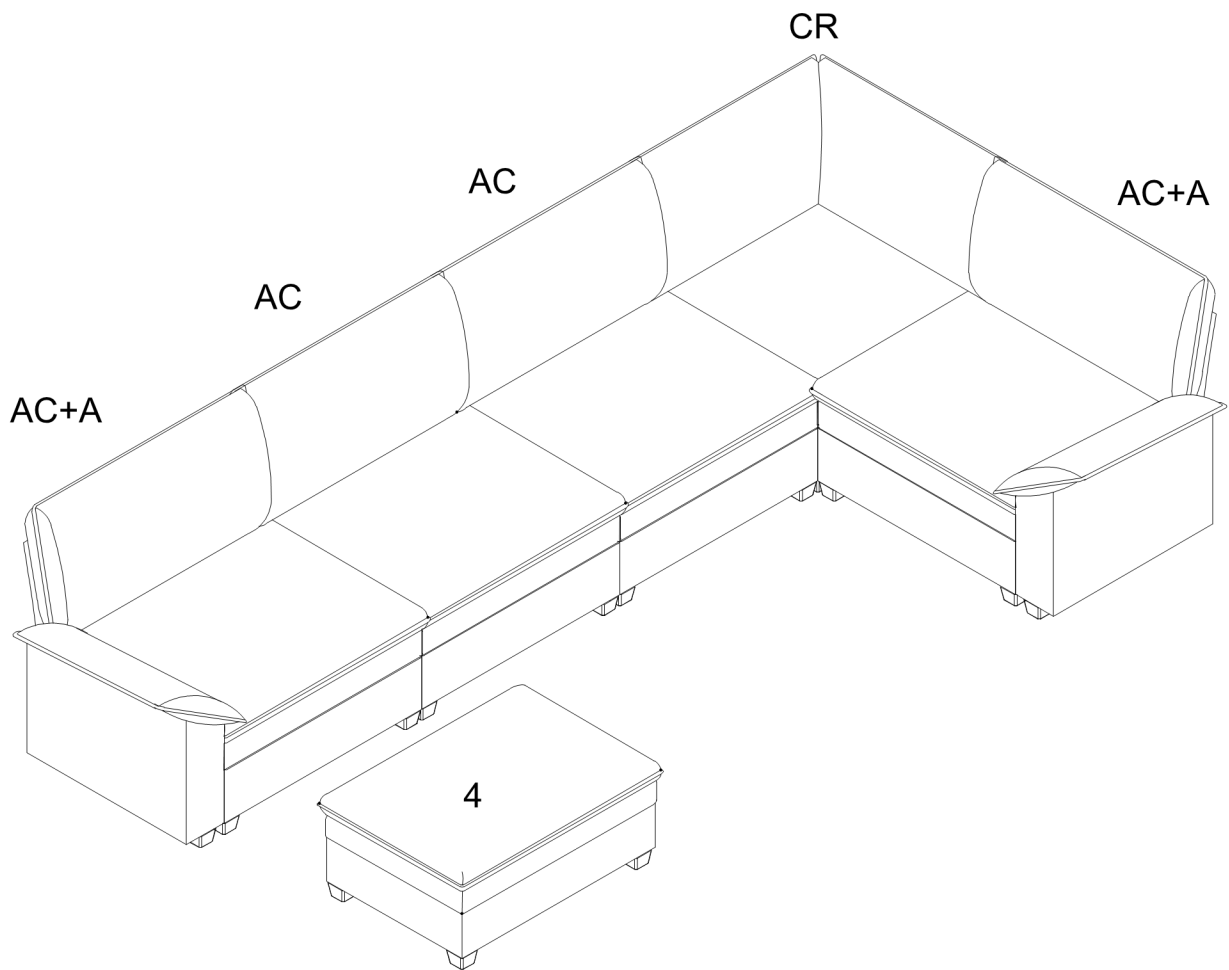


Step 2



Step 3





Care Instruction for Chenille Furniture:

In order to maintain the original appearance of your Chenille furniture, please follow below simple care procedures:

Avoid exposing furniture directly to sunlight or heating and air conditioning outlets. Sunlight and or exposure to heating and air conditioning outlets will fade/damage Chenille.

Vacuum or wipe with a soft cloth to remove dust.

Hardware may loosen over time. Periodically check to make sure all connection are tight, Re-tighten if necessary.

For item use on wooden floor, hard surfaces or carpets, it is recommended to install protective pads under all legs and supports to avoid/prevent from damages/scratches and discoloration.