

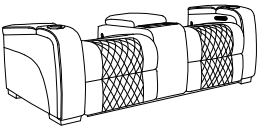

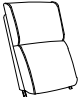

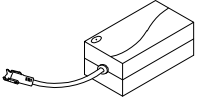



# Assembly Instruction

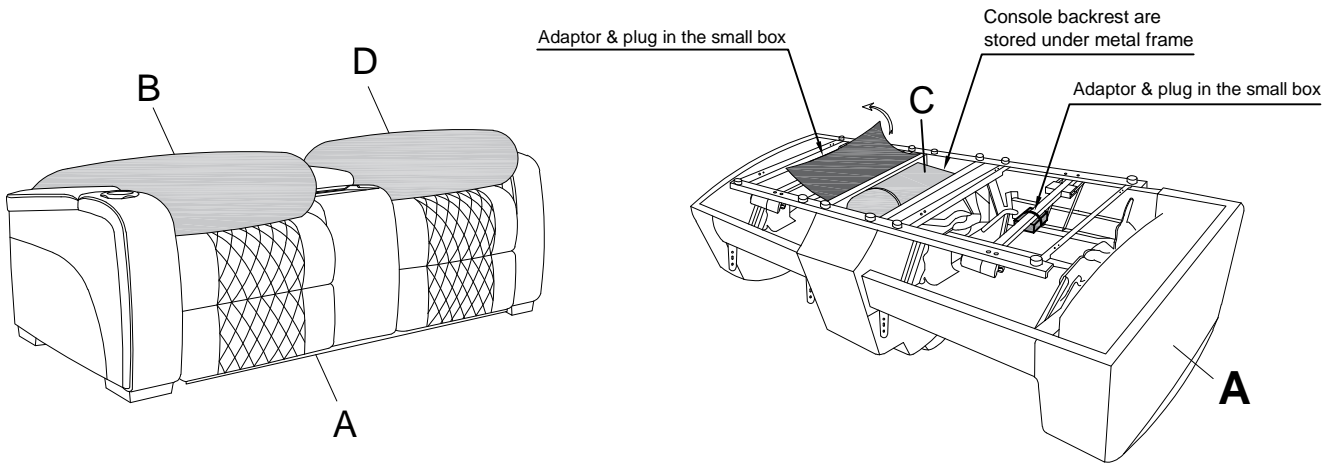
ITEM NO.: 8449BK/BU/BR/GY-2PWHM  
Power Double Reclining Love Seat with Center Console, PowerHeadrests, Storage Arms with Cup Holders, Wireless charger, Air Massage and Heat, LED Lighting and Charging Ports

Note: Do not use power tools for assembly. Power tools increase the risk of over tightening which lead to splitting or cracking the wood.

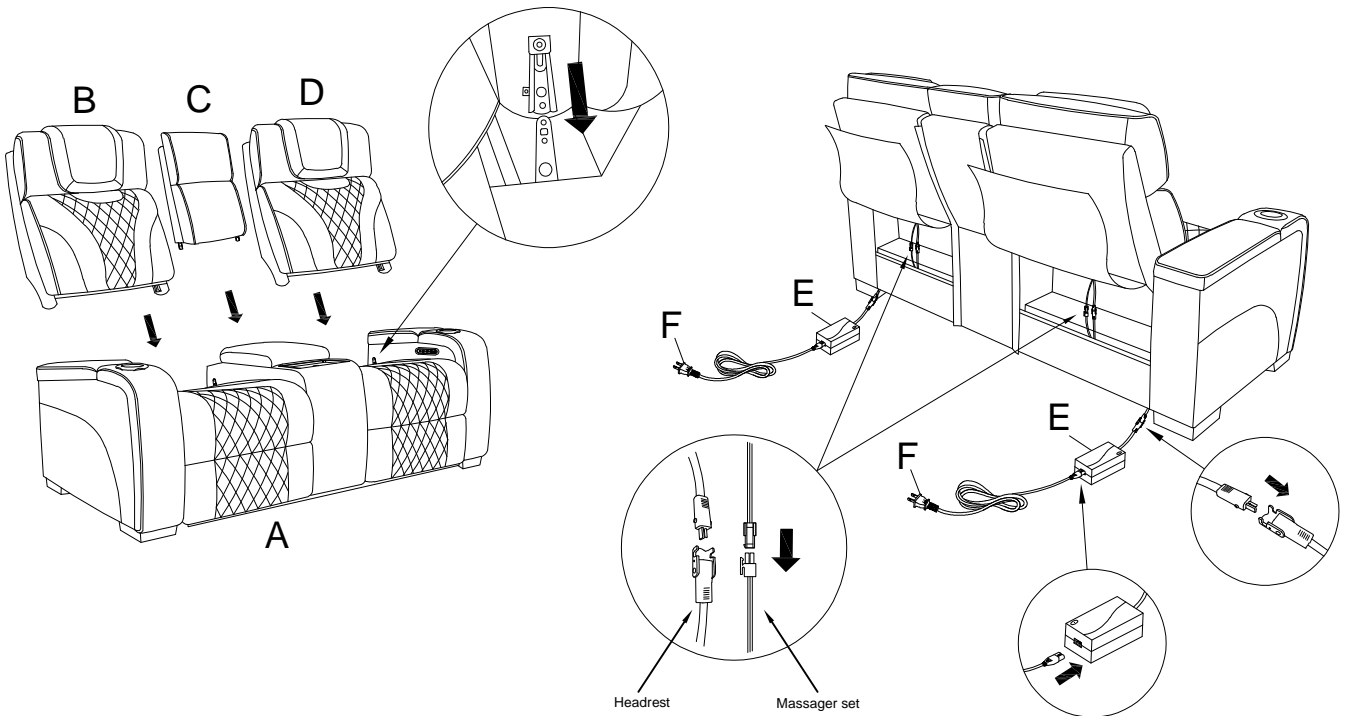
## Component list

No	Drawing	Qty	Description
<b>A</b>		<b>1</b>	<b>SEAT</b>
<b>B</b>		<b>1</b>	<b>LSF BACK REST</b>
<b>C</b>		<b>1</b>	<b>CONSOLE BACK REST</b>
<b>D</b>		<b>1</b>	<b>RSF BACK REST</b>
<b>E</b>		<b>2</b>	<b>ADAPTOR</b>
<b>F</b>		<b>2</b>	<b>PLUG</b>

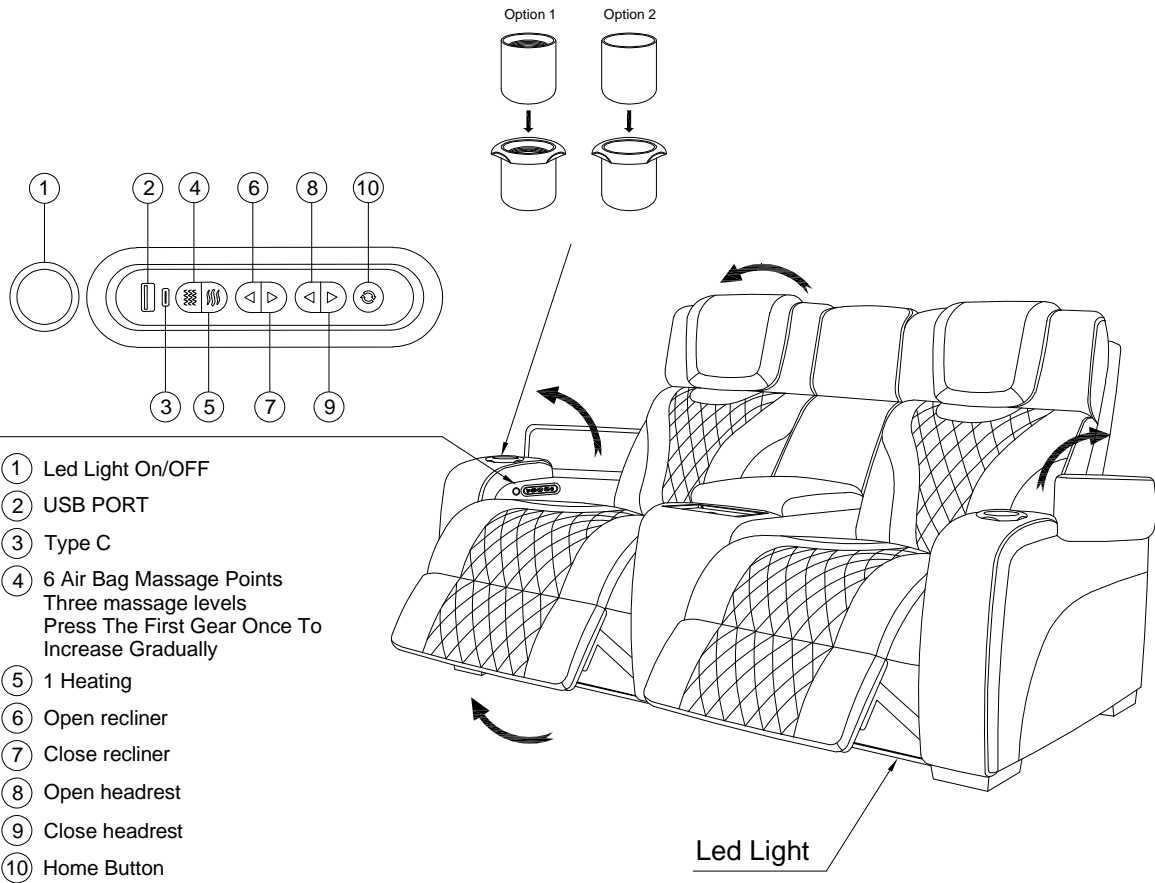
# Step #1



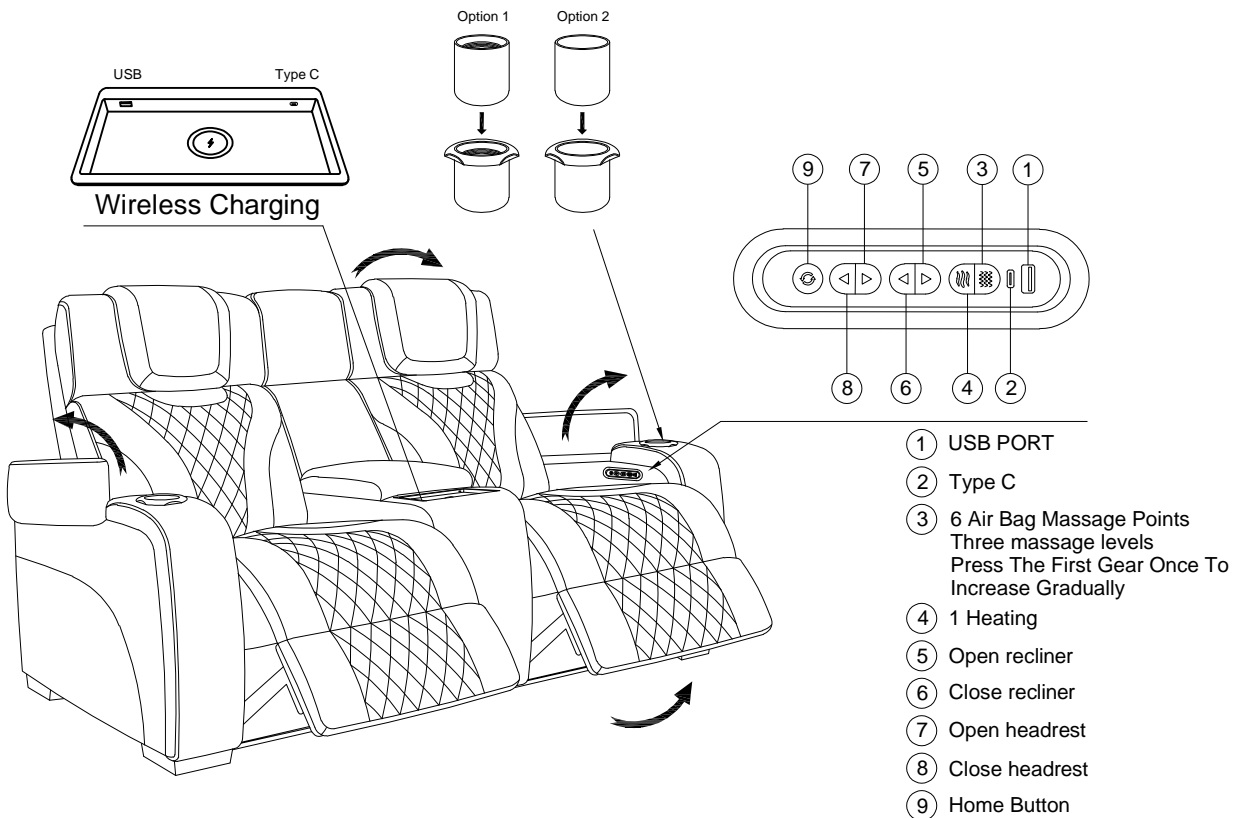
# Step #2



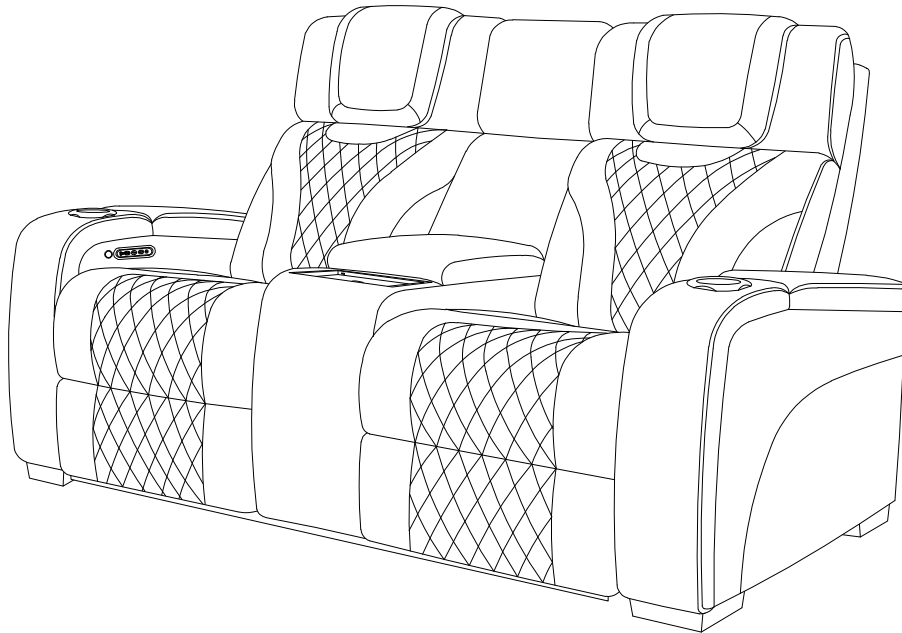
# Step #3



- ① Led Light On/OFF
- ② USB PORT
- ③ Type C
- ④ 6 Air Bag Massage Points  
Three massage levels  
Press The First Gear Once To  
Increase Gradually
- ⑤ 1 Heating
- ⑥ Open recliner
- ⑦ Close recliner
- ⑧ Open headrest
- ⑨ Close headrest
- ⑩ Home Button



- ① USB PORT
- ② Type C
- ③ 6 Air Bag Massage Points  
Three massage levels  
Press The First Gear Once To  
Increase Gradually
- ④ 1 Heating
- ⑤ Open recliner
- ⑥ Close recliner
- ⑦ Open headrest
- ⑧ Close headrest
- ⑨ Home Button



### Care Instruction for Genuine Leather match with PVC Furniture:

In order to maintain the original appearance of your Genuine Leather match with PVC, please follow below simple care procedures:

- Avoid exposing furniture directly to sunlight or heating and air conditioning outlets. Sunlight and or exposure to heating and air conditioning outlets will fade/damage Genuine Leather match with PVC.
- Vacuum or wipe with a soft cloth to remove dust.
- Hardware may loosen over time. Periodically check to make sure all connection are tight, Re-tighten if necessary.



For items use on wooden floor, hard surfaces or carpets, it is recommended to Install protective pads under all legs and supports to avoid/prevent from damages/scratches and discoloration.