

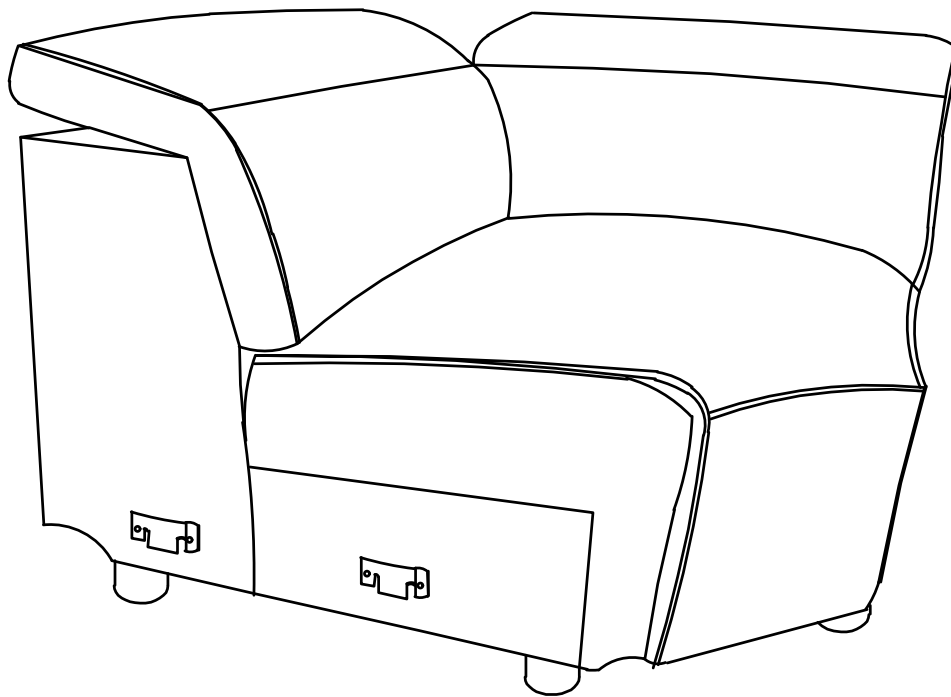


**H O M E E L E G A N C E**



**ASSEMBLY INSTRUCTION**  
**ITEM: 8414GRY-CR**  
**(4/5) Corner Seat**



NOTE: Do not use power tools for assembly. The use of power tools increases the risk of over-tightening, which can result in wood splitting or cracking.

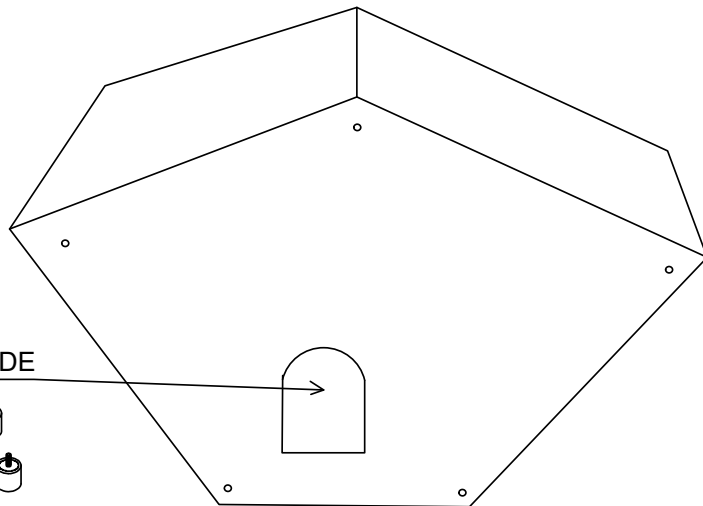
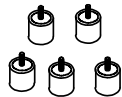


**Component**

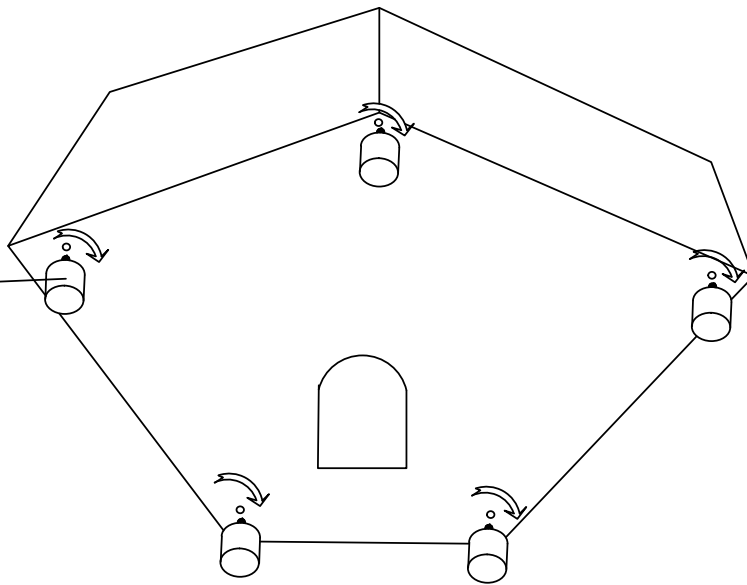
No	Drawing	Qty	Description
A		1	SEAT
B		5	PLASTIC LEGS Ø60*40mm

# Step #1

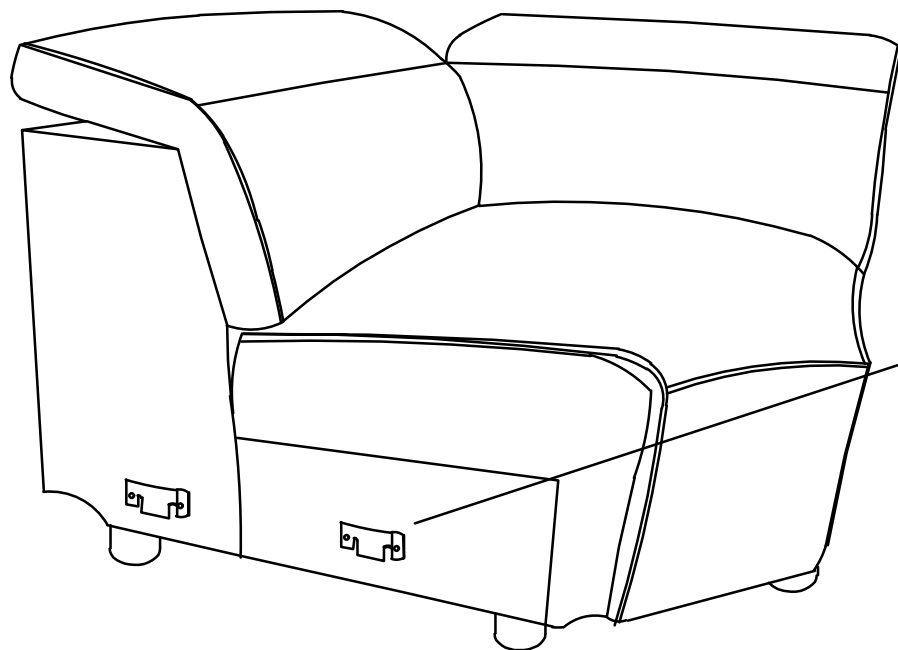
LEGS INSIDE



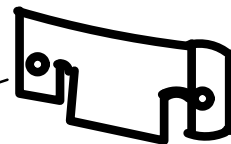
**B**



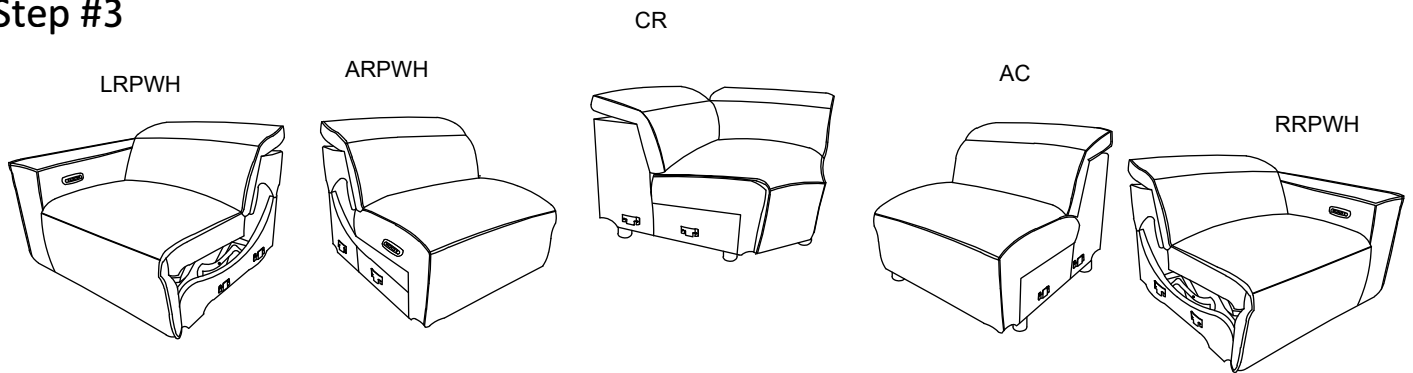
# Step #2



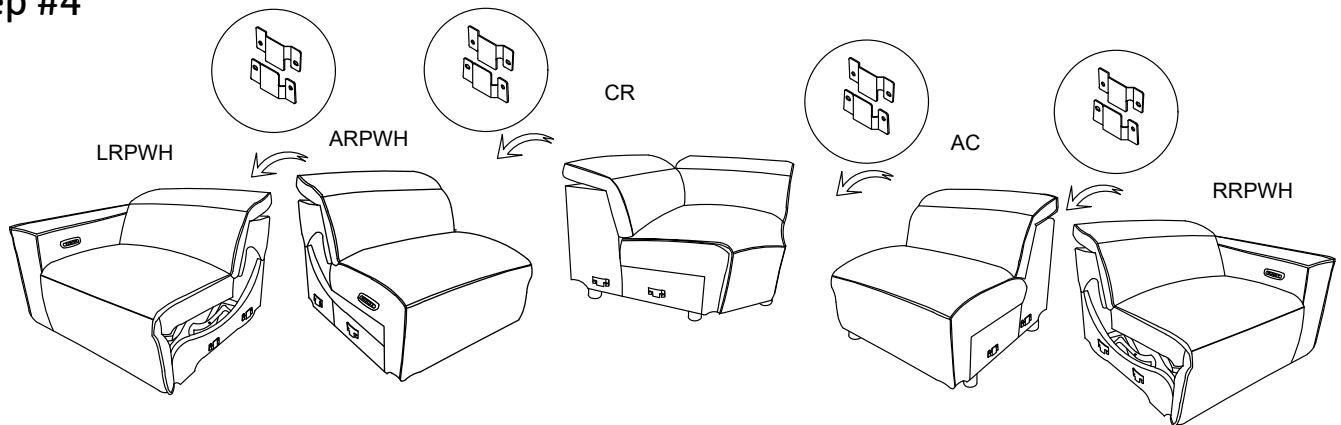
Connector



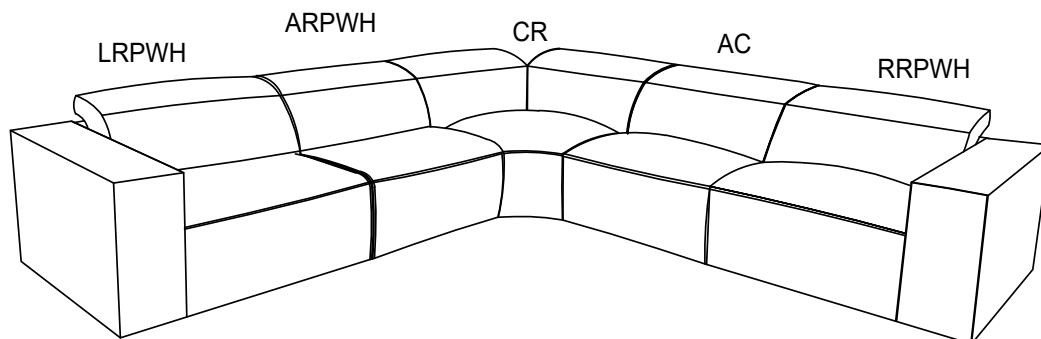
### Step #3



### Step #4



### Step #5



## Care Instruction for Textured Fabric Furniture:

In order to maintain the original appearance of your textured fabric Furniture, please follow below simple care procedures:

- Avoid exposing furniture directly to sunlight or heating and air conditioning outlets. Sunlight and or exposure to heating and air conditioning outlets will fade/damage textured fabric.
- Vacuum or wipe with a soft cloth to remove dust.
- Hardware may loosen over time. Periodically check to make sure all connection are tight, Re-tighten if necessary.



For items use on wooden floor, hard surfaces or carpets, it is recommended to Install protective pads under all legs and supports to avoid/prevent from damages/scratches and discoloration.