



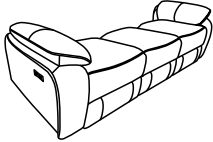
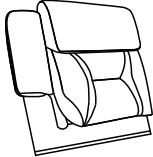


# Assembly Instruction

ITEM NO.: 8229NBE-2

DOUBLE RECLINING LOVE SEAT  
WITH CENTER CONSOLE

**NOTE:** Do not use power tools for assembly. Power tools increase the risk of over tightening which leads to splitting or cracking the wood.

## COMPONENT LIST (LOVE SEAT)

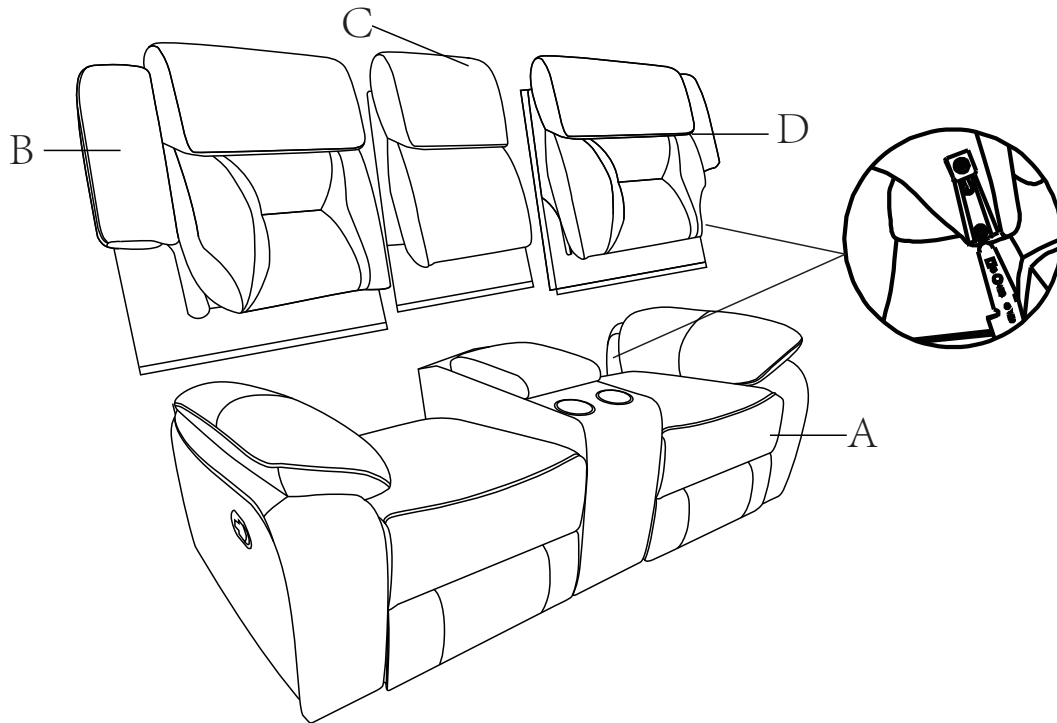
| NO. | DRAWING   | QTY | DESCRIPTION          |
|-----|---|-----|----------------------|
| A   |   | 1   | SEAT                 |
| B   |  | 1   | LSF BACK REST        |
| C   |  | 1   | CONSOLE<br>BACK REST |
| D   |  | 1   | RSF BACK REST        |

**STEP# 1**

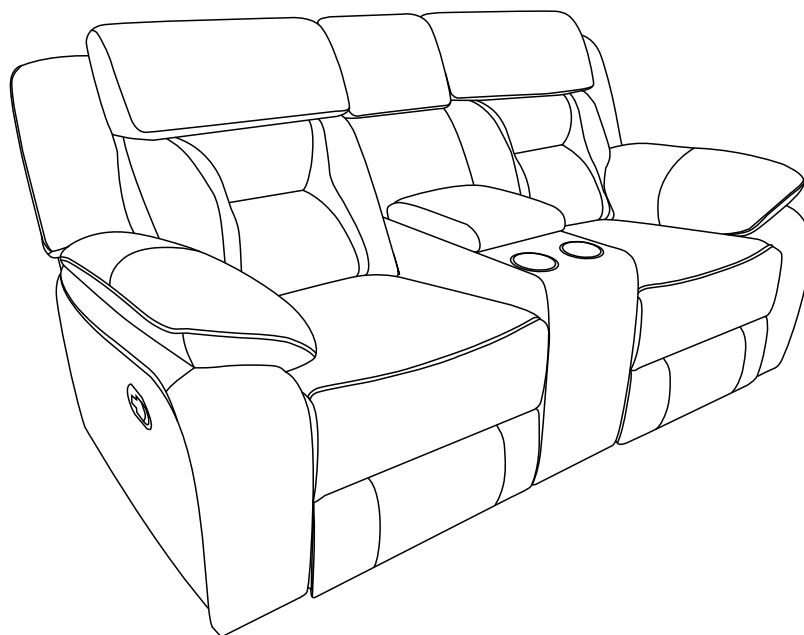
Attach LSF Back Rest(B) and RSF Back Rest(D) to the Seat (A).

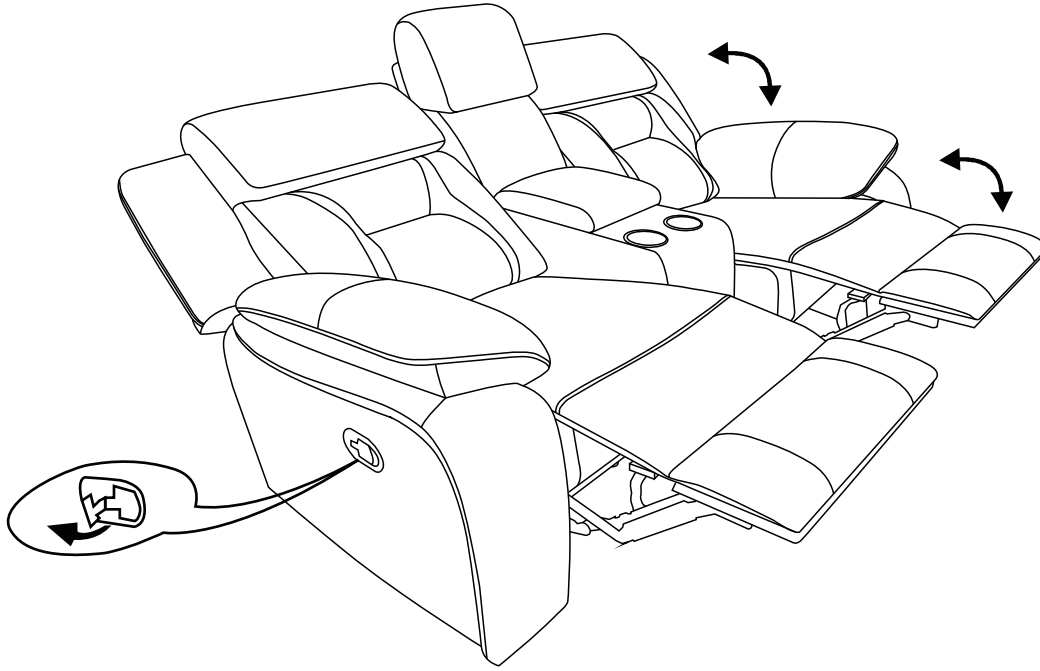
**STEP# 2**

Attach Middle Console Back Rest (C) to the seat(A) .



**STEP#4 Completed**





## Care Instruction for Leather air Furniture.

In order to maintain the original appearance of your Polished Microfiber furniture, please follow below simple care procedures:

- Avoid exposing furniture directly to sunlight or heating and air conditioning outlets. Sunlight and/or exposure to heating and air conditioning outlets will fade/damage polished microfiber.
- Do not place your upholstered furniture too close to windows, radiators, or vents and be sure to use window, radiators, or vents.
- Vacuum or wipe with a soft brush to remove dust.



For items used on wooden floor, hard surfaces or carpets, it is recommended to install protective pads under all legs supports to avoid/prevent from damages/scratches discoloration.