

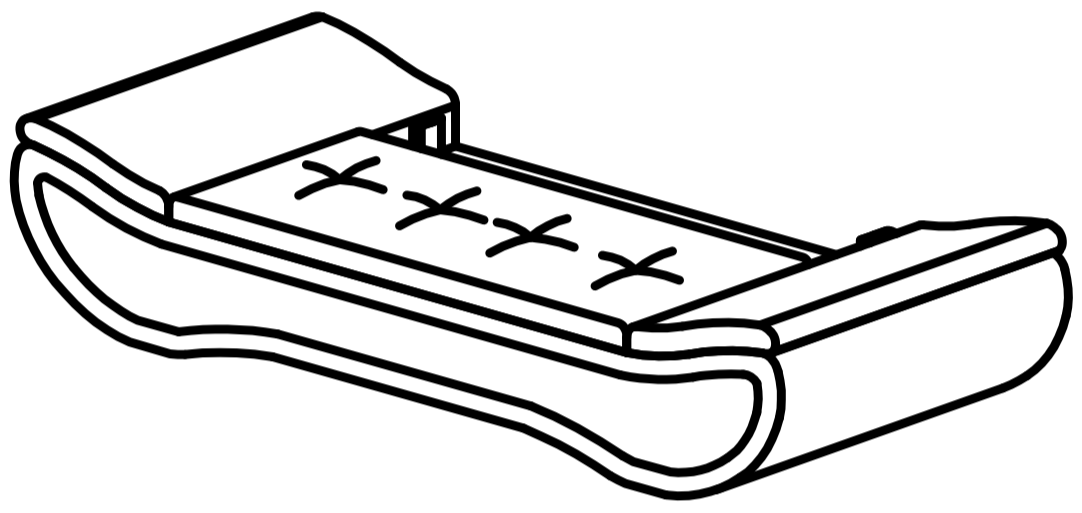
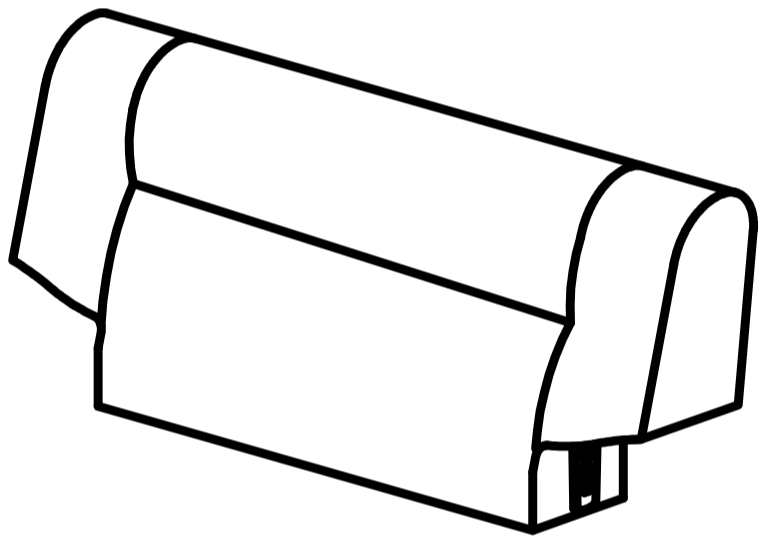
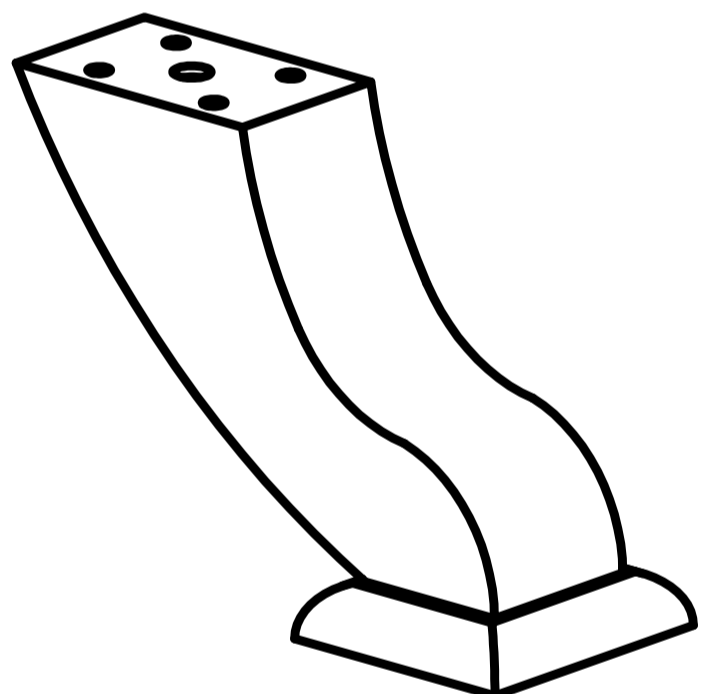
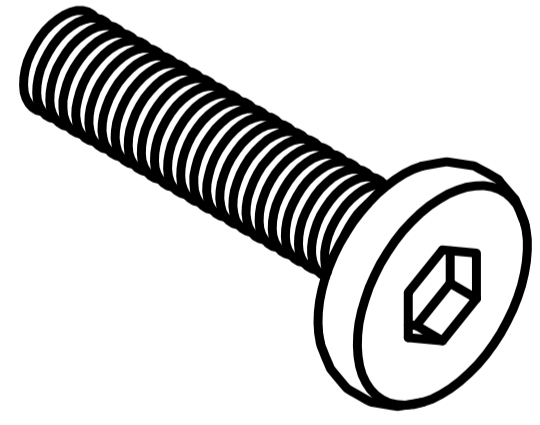
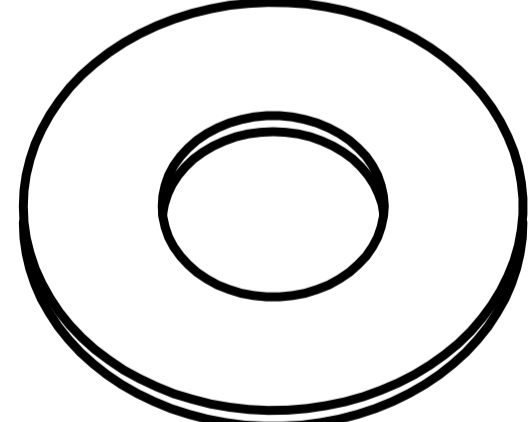

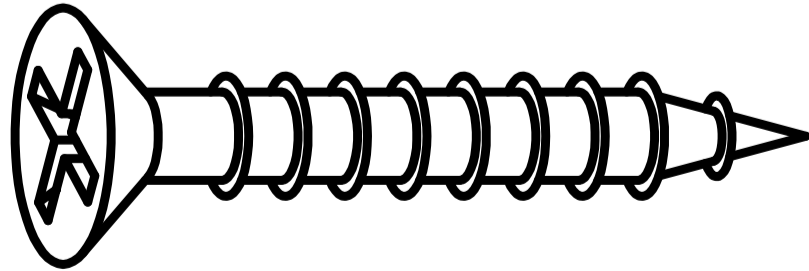

# Assembly Instruction

## LOVE SEAT

### ITEM NO. : 8219-2

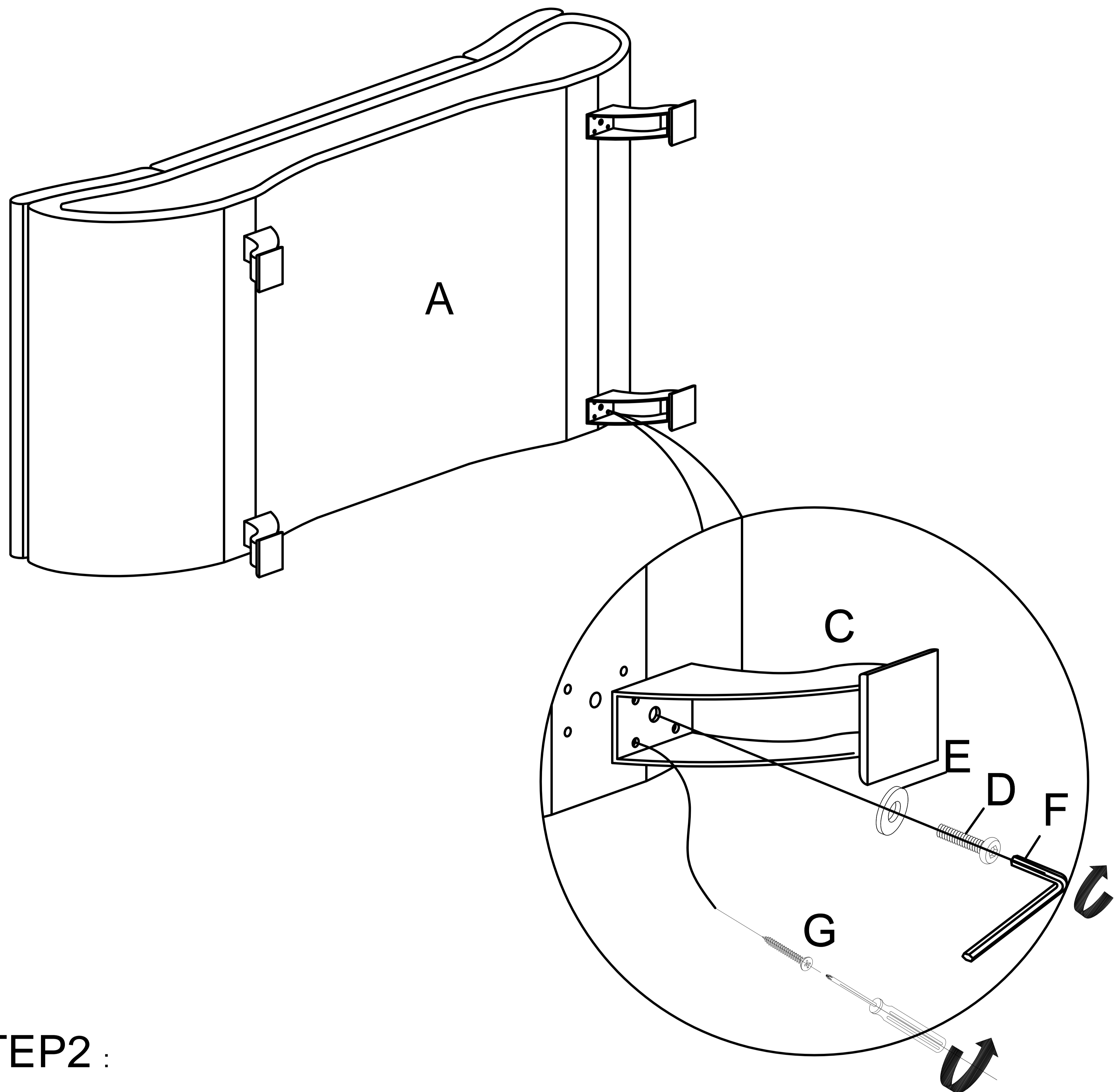
**NOTE:** Do not use power tools for assembly. Power tools increase the risk of over tightening which lead to shitting or cracking the wood.

### COMPONENT LIST

NO.	DRAWING	QTY	DESCRIPTION
A		1	LOVE SEAT
B		1	BACK REST
C		4	LEG
D		4	BOLT ( $\frac{5}{16}$ "*40MM)
E		4	FLAT WASHER (8*19MM)
F		1	ALLEN KEY ( $\frac{5}{16}$ " )
G		16	SCREW (4*30MM)
H		1	SCREWDRIVER (NOT PROVIDED)

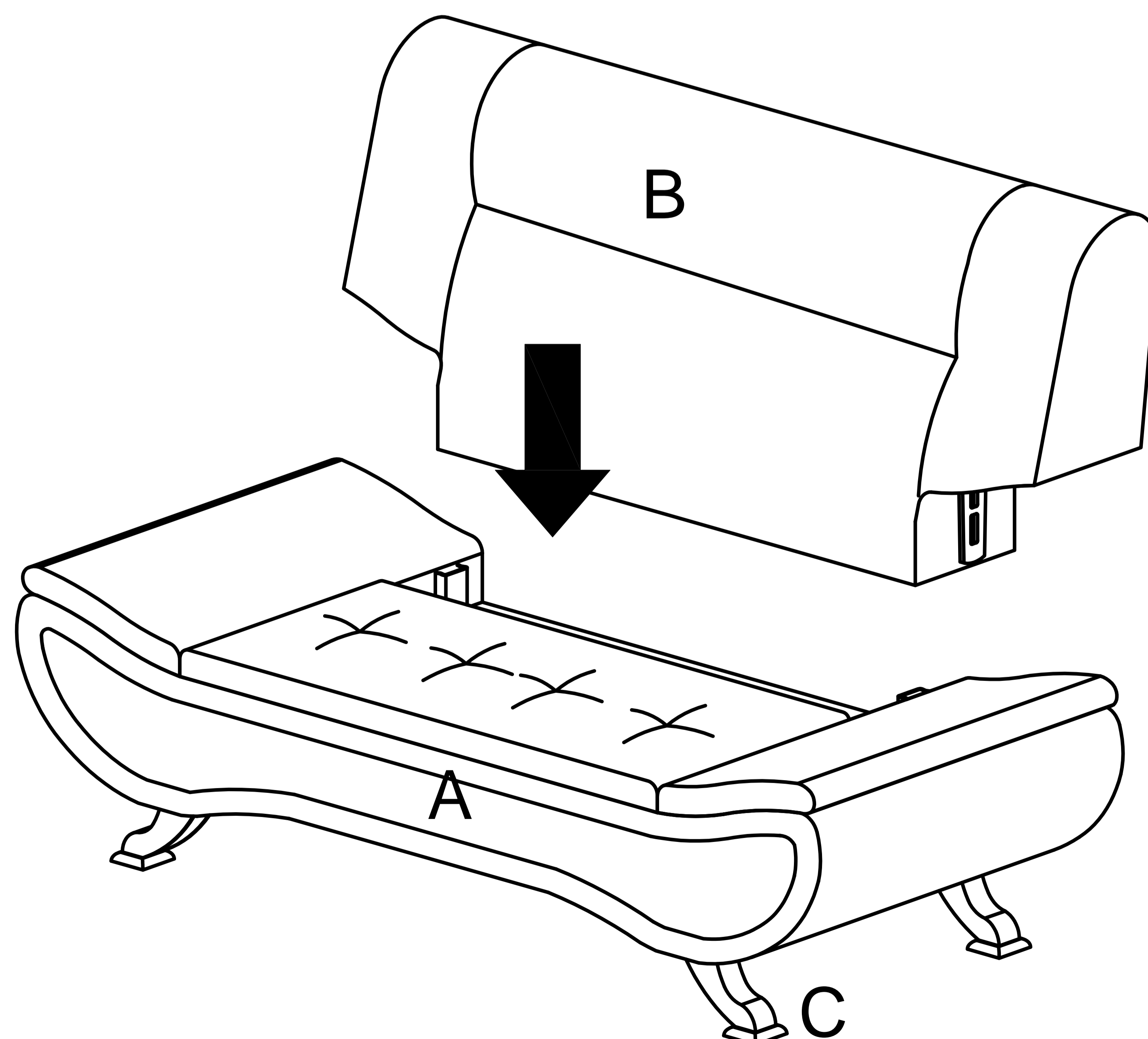
## STEP1 :

Align the legs to the pre-drilled holes at the bottom of the units, insert bolts and washers then tighten with screw driver / Allen Key.



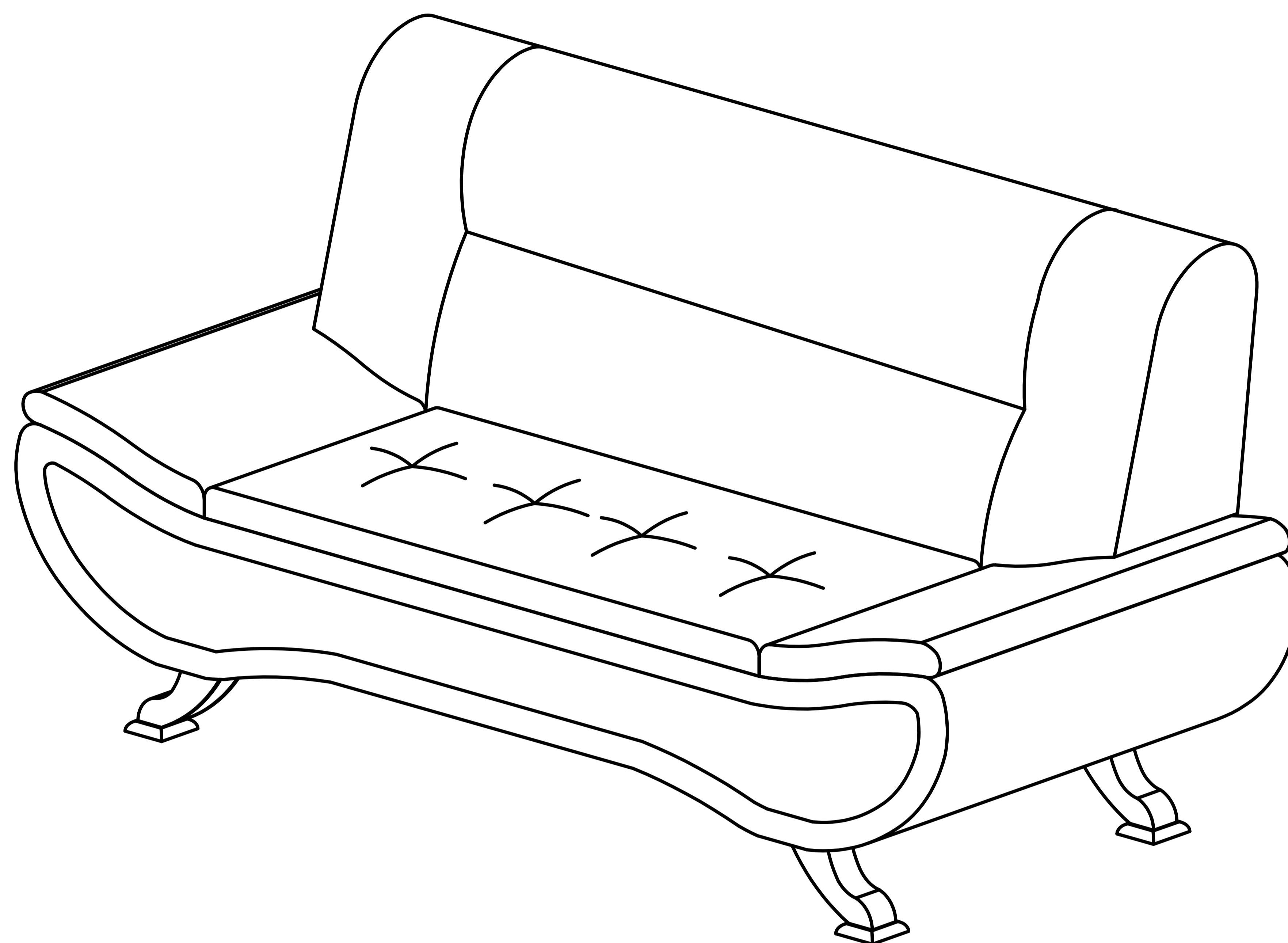
## STEP2 :

Align and insert the back rest , push to the end to secure it.



## STEP3 :

Assembly completed.



### **Care instruction for PU furniture.**

In order to maintain the original appearance of your PU furniture, please follow below simple care procedures:

- Avoid exposing furniture directly to sunlight or heating and air conditioning outlets. Sunlight and/or exposure to heating and air conditioning outlets will fade/damage fabrics. Do not place your upholstered furniture too close to windows, radiators, or vents, and be sure to use windows, radiators, or vents.
- Vacuum or wipe with a cloth regularly to remove dust.
- Clean PU furniture with professional cleanser.



For items use on wooden floor, hard surfaces or carpets, it is recommended to Install protective pads under all legs and supports to avoid/prevent fromdamages/scratches and discoloration.