



ITEM: 5969-24

Swivel Counter Height Chair

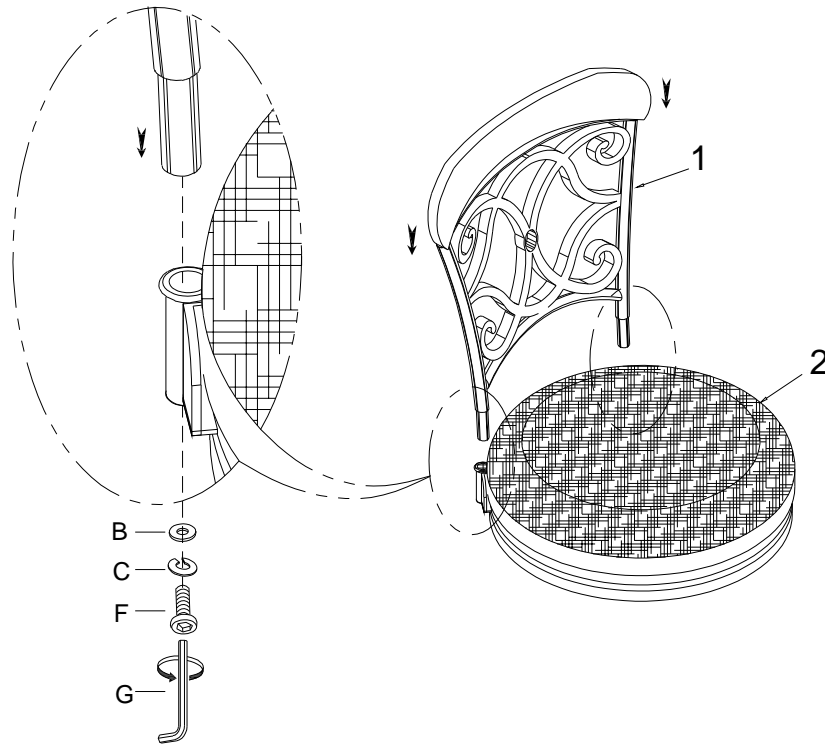
Thank you for purchasing this quality product. Be sure to check all packing material carefully for small parts which may have come loose inside the carton during shipment. Identify and count all parts and compare with the Parts List below.

! For items use on wooden floor, hard surfaces or carpets, it is recommended to Install protective pads under all legs and supports to avoid/ prevent from damages/ scratches and discoloration.

! Pour les articles Utilisés sur un plancher en bois, des surfaces dures ou tapis, il est recommandé d'installer des mordaches de protection sous tous les jambes et prend en charge pour éviter/empêcher de dommages/raies et la décoloration.

Hardware may loosen over time. Periodically check to make sure all connections are tight. Re-tighten if necessary.

STEP 1



MADE IN VIETNAM

PARTS LIST

NO	DRAWING	Q' TY	DESCRIPTION
1		1	CHAIR BACK
2		1	SEAT FRAME WITH SEAT CUSHION
3		1	ROUND METAL
4		4	METAL LEG

HARDWARE LIST

NO	DRAWING	Q' TY	DESCRIPTION
A		8	Ø1/4" x 13mm Flat Washer
B		10	Ø1/4" x 16mm Flat Washer
C		18	Ø1/4" Spring Washer
D		8	Ø1/4" x 13mm Allen bolt
E		8	Ø1/4" x 16mm Allen bolt
F		2	Ø1/4" x 28mm Allen bolt
G		1	4mm Allen Key



ITEM: 5969-24

Swivel Counter Height Chair

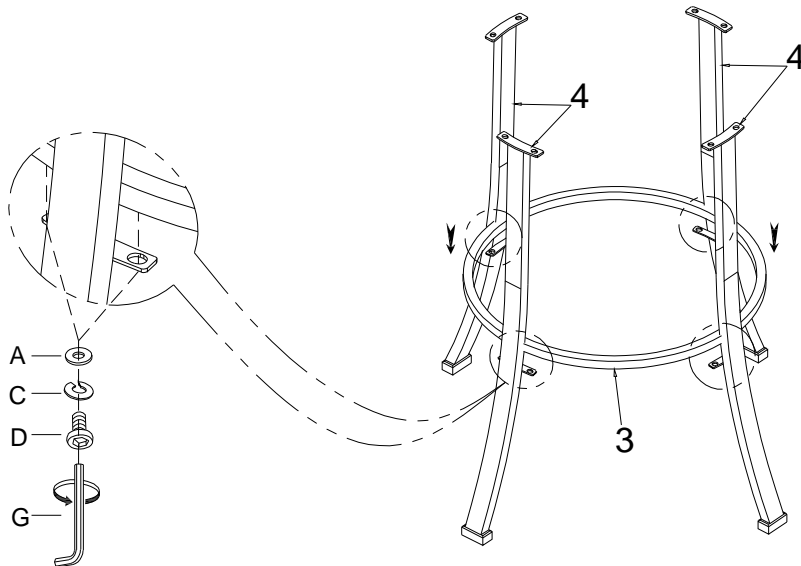
Thank you for purchasing this quality product. Be sure to check all packing material carefully for small parts which may have come loose inside the carton during shipment. Identify and count all parts and compare with the Parts List below.

! For items use on wooden floor, hard surfaces or carpets, it is recommended to install protective pads under all legs and supports to avoid/ prevent from damages/ scratches and discoloration.

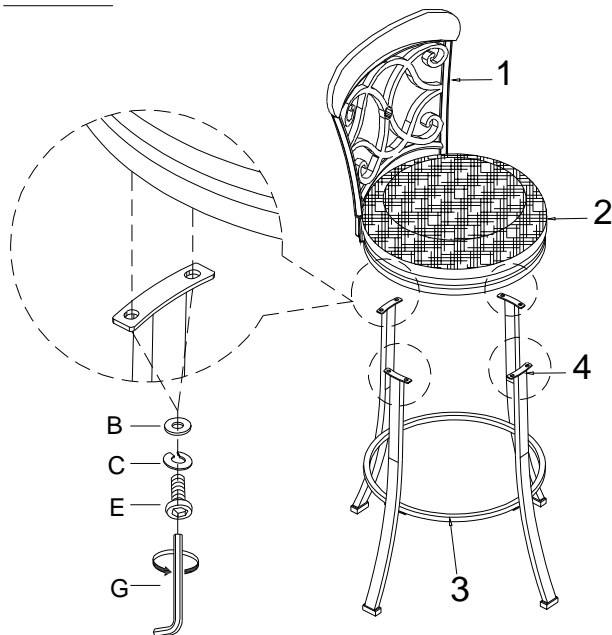
! Pour les articles Utilisés sur un plancher en bois, des surfaces dures ou tapis, il est recommandé d'installer des mordaches de protection sous tous les jambes et prend en charge pour éviter/empêcher de dommages/raures et la décoloration.

Hardware may loosen over time. Periodically check to make sure all connections are tight. Re-tighten if necessary.

STEP 2



STEP 3



COMPLETE

